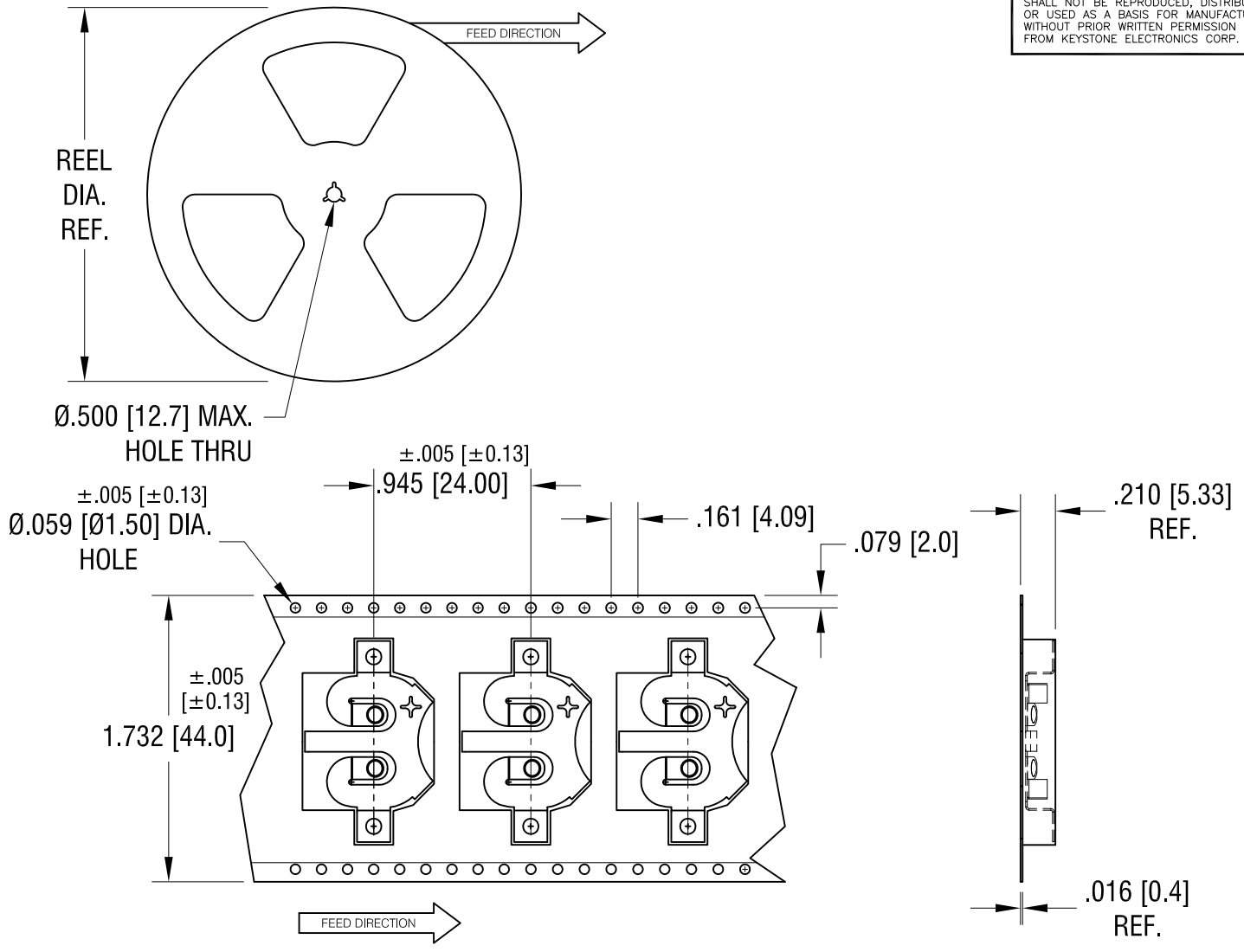


THIS DOCUMENT IS THE PROPERTY OF KEYSTONE ELECTRONICS CORP. AND SHALL NOT BE REPRODUCED, DISTRIBUTED OR USED AS A BASIS FOR MANUFACTURE WITHOUT PRIOR WRITTEN PERMISSION FROM KEYSTONE ELECTRONICS CORP.



NOTES:

TAPE AND REEL SPECIFICATIONS:

1. TAPE:
MAT'L - ALL CONDUCTIVE POLYSTYRENE CARRIER
ANSI/EIA-481 STANDARD
2. REEL:
13.0 [330.2] DIA. 500 PIECES OF
PART NO. 2898 PER REEL.

| | | | |
|--|-----------------|---------------------------|---------|
| KEYSTONE ELECTRONICS CORP. | | | |
| www.keyelco.com • NEW HYDE PARK, NY 11040 • Tel (516) 328-7500 | | | |
| PART NAME | | SM COIN CELL CLIP ON TAPE | |
| MATERIAL | | AS NOTED | |
| FINISH | AS NOTED | DRN BY | DATE |
| | | NT | 9.19.18 |
| | | APP'D | SCALE |
| | | | X |
| TOLERANCES | INCH [MM] | CODE | DWG NO. |
| DECIMAL | ± .015 [± 0.38] | C | 2898TR |
| ANGULAR | ± 1° | | |
| UNLESS OTHERWISE SPECIFIED | | | |

| | | |
|------|-------------|------|
| DATE | DESCRIPTION | REV. |
| | | |

X-ON Electronics

Largest Supplier of Electrical and Electronic Components

Click to view similar products for [Coin Cell Battery Holders](#) category:

Click to view products by [Keystone](#) manufacturer:

Other Similar products are found below :

[SMTU2450N-LF](#) [PDSN-11-D](#) [1058](#) [1052](#) [799-2007](#) [BH44AAB](#) [BH48DL](#) [BH8000](#) [BS-6-1](#) [79573231](#) [101](#) [3035](#) [1025](#) [1026](#) [1027](#) [103](#)
[1059](#) [1060](#) [1063](#) [1065](#) [D3](#) [46400000](#) [BC-0403](#) [BH-121-1B](#) [BH-1/2AA-2A](#) [BH-131A](#) [BH-3101A](#) [BH-3103B](#) [BH-311-1A](#) [BH-311-1D](#) [BH-](#)
[321-1A](#) [BH-321-1B](#) [BH-321-1D](#) [BH-331-3D](#) [BH-331P](#) [BH-333A](#) [BH-341-1P](#) [BH-351A](#) [BH-362B](#) [BH-421A](#) [BH-422A](#) [BH-425A](#) [BH-](#)
[431-1B](#) [BH-463A](#) [BH-511A](#) [BHC-18650-1P](#) [46300000](#) [46600000](#) [799-2001](#) [SBH-331A](#)