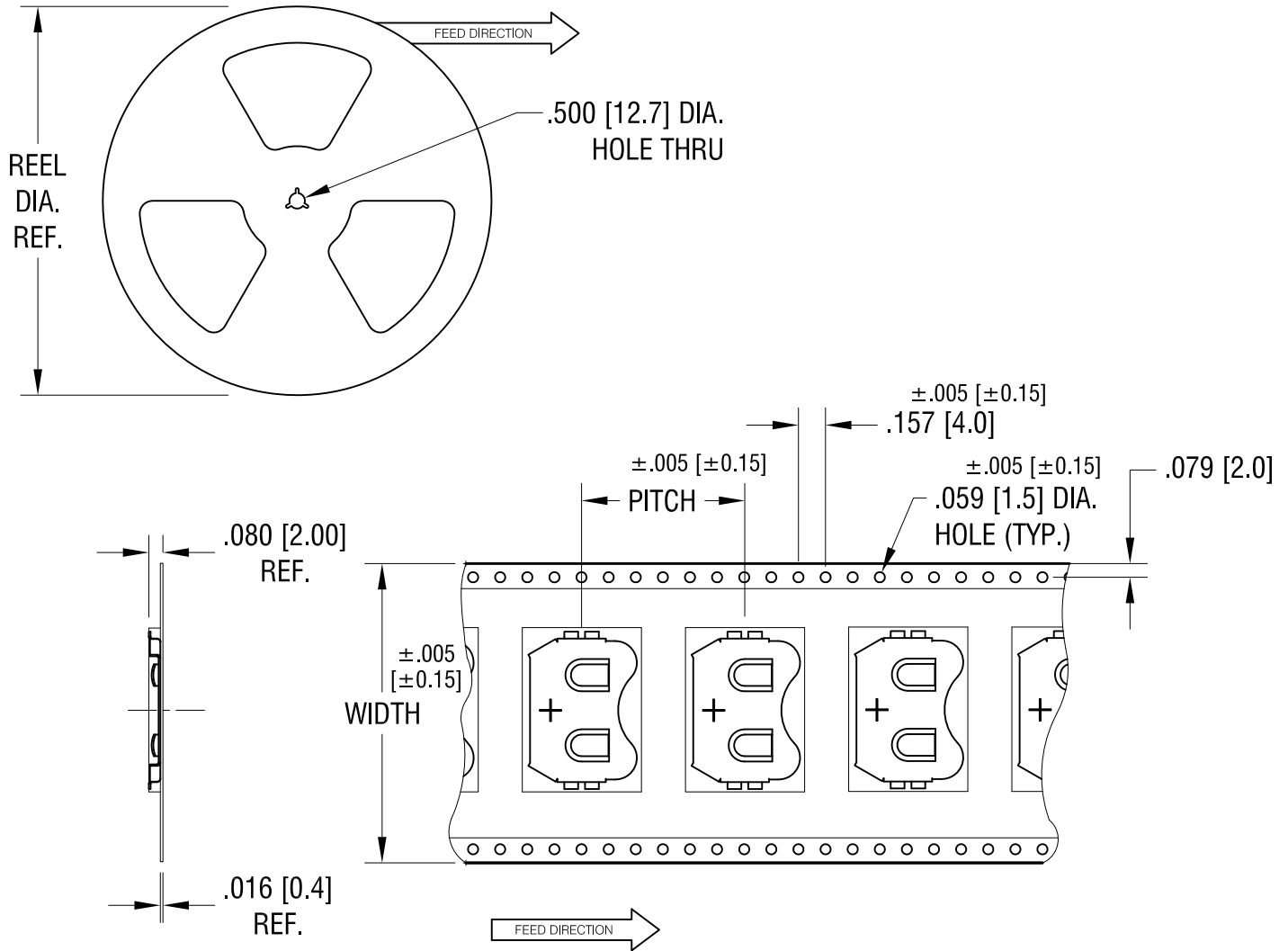


THIS DOCUMENT IS THE PROPERTY OF  
KEYSTONE ELECTRONICS CORP. AND  
SHALL NOT BE REPRODUCED, DISTRIBUTED  
OR USED AS A BASIS FOR MANUFACTURE  
WITHOUT PRIOR WRITTEN PERMISSION  
FROM KEYSTONE ELECTRONICS CORP.



**NOTES:**

**TAPE AND REEL SPECIFICATIONS:**

**1. TAPE:**

MAT'L - ALL CONDUCTIVE POLYSTYRENE CARRIER  
ANSI/EIA-481 STANDARD  
1.732 [44.0] WIDE; .945 [24.00] PITCH

**2. REEL:**

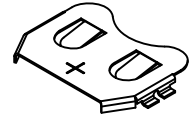
13.0 [330.2] DIA. 1000 PIECES OF  
PART NO. 3028 PER REEL.

|                                                                 |                 |        |               |
|-----------------------------------------------------------------|-----------------|--------|---------------|
| <b>KEYSTONE ELECTRONICS CORP.</b>                               |                 |        |               |
| www.keyelco.com • ASTORIA, N.Y. 11105-2017 • Tel (718) 956-8900 |                 |        |               |
| PART NAME                                                       |                 |        |               |
| SM RETAINER ON TAPE AND REEL                                    |                 |        |               |
| MATERIAL                                                        |                 |        |               |
| AS NOTED                                                        |                 |        |               |
| FINISH                                                          |                 | DRN BY | DATE          |
| AS NOTED                                                        |                 | NT     | 2.25.11       |
|                                                                 |                 | APP'D  | SCALE         |
|                                                                 |                 |        | X             |
| TOLERANCES                                                      | INCH [MM]       | CODE   | DWG NO.       |
| DECIMAL                                                         | ± .015 [± 0.38] | C/M    | <b>3028TR</b> |
| ANGULAR                                                         | ± 1°            |        |               |
| UNLESS OTHERWISE SPECIFIED                                      |                 |        |               |

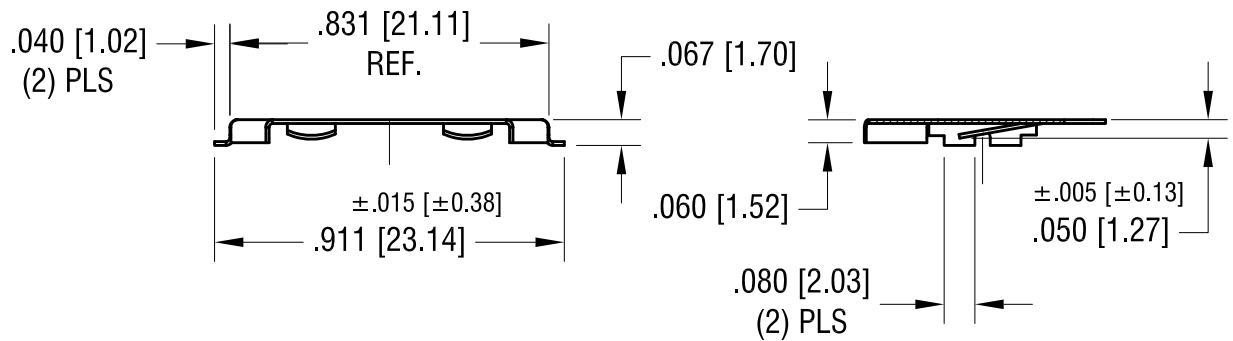
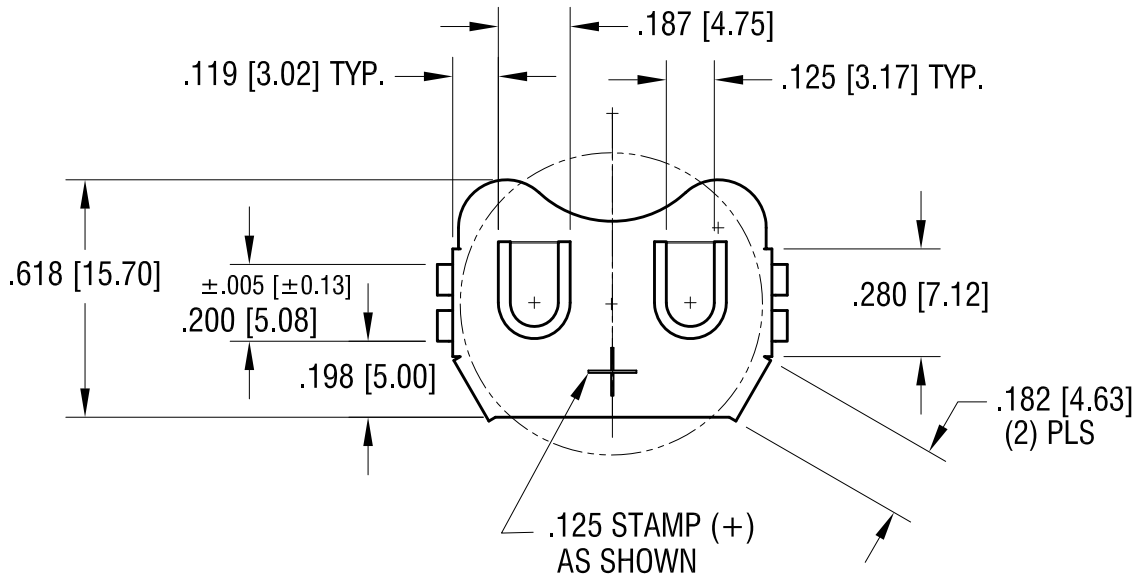
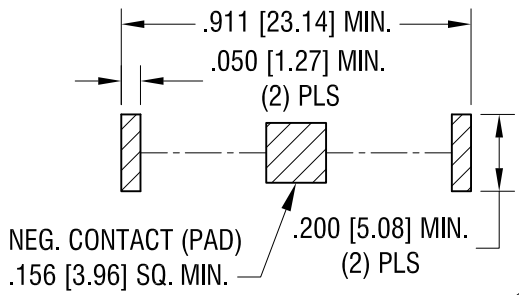
|      |             |      |  |
|------|-------------|------|--|
| DATE | DESCRIPTION | REV. |  |
|------|-------------|------|--|

THIS DOCUMENT IS THE PROPERTY OF KEYSTONE ELECTRONICS CORP. AND SHALL NOT BE REPRODUCED, DISTRIBUTED OR USED AS A BASIS FOR MANUFACTURE WITHOUT PRIOR WRITTEN PERMISSION FROM KEYSTONE ELECTRONICS CORP.

**ACTUAL SIZE**



**MOUNTING PAD LAYOUT**



**KEYSTONE ELECTRONICS CORP.**

www.keyelco.com • NEW HYDE PARK, NY 11040 • Tel (516) 328-7500

PART NAME  
 2012 SM COIN CELL CLIP

MATERIAL  
 .010 [0.25] TH'K PHOSPHOR BRONZE

FINISH  
 TIN NICKEL PLATE

DRN BY NT DATE 2.16.11  
 APP'D SCALE 2X

TOLERANCES INCH [MM]  
 DECIMAL ±.010 [±0.25]  
 ANGULAR ± 1°  
 UNLESS OTHERWISE SPECIFIED

CODE C DWG NO. 3028

| DATE    | DESCRIPTION              | REV. |
|---------|--------------------------|------|
| 1.17.19 | CHANGE AS PER ECN 19-004 | C    |
| 5.07.15 | CHANGE AS PER ECN 15-055 | B    |
| 2.23.11 | CHANGE AS PER ECN 11-020 | A    |

## **X-ON Electronics**

Largest Supplier of Electrical and Electronic Components

*Click to view similar products for [Coin Cell Battery Holders](#) category:*

*Click to view products by [Keystone](#) manufacturer:*

Other Similar products are found below :

[PDSN-11-D](#) [799-2007](#) [BH44AAB](#) [BH48DL](#) [BH8000](#) [BS-6-1](#) [3035](#) [103](#) [1060](#) [1063](#) [1065](#) [46400000](#) [BC-0403](#) [BH-121-1B](#) [BH-1/2AA-2A](#)  
[BH-131A](#) [BH-3101A](#) [BH-3103B](#) [BH-311-1A](#) [BH-311-1D](#) [BH-321-1A](#) [BH-321-1B](#) [BH-321-1D](#) [BH-331-3D](#) [BH-333A](#) [BH-341-1P](#) [BH-](#)  
[342-1A](#) [BH-351A](#) [BH-362B](#) [BH-383A](#) [BH-421A](#) [BH-422A](#) [BH-425A](#) [BH-431-1B](#) [BH-463A](#) [BH-511A](#) [BHC-18650-1P](#) [46600000](#) [799-](#)  
[2001](#) [SBH-331A](#) [SBH-341-1A](#) [SBH-341-AS](#) [SBH-421-1A](#) [SBH-431-1AS](#) [SBH-441A](#) [SBH-9VA](#) [BH-121-1A](#) [BHC-18650-1A](#) [SBH-421-](#)  
[1AS](#) [SBH-441AS](#)