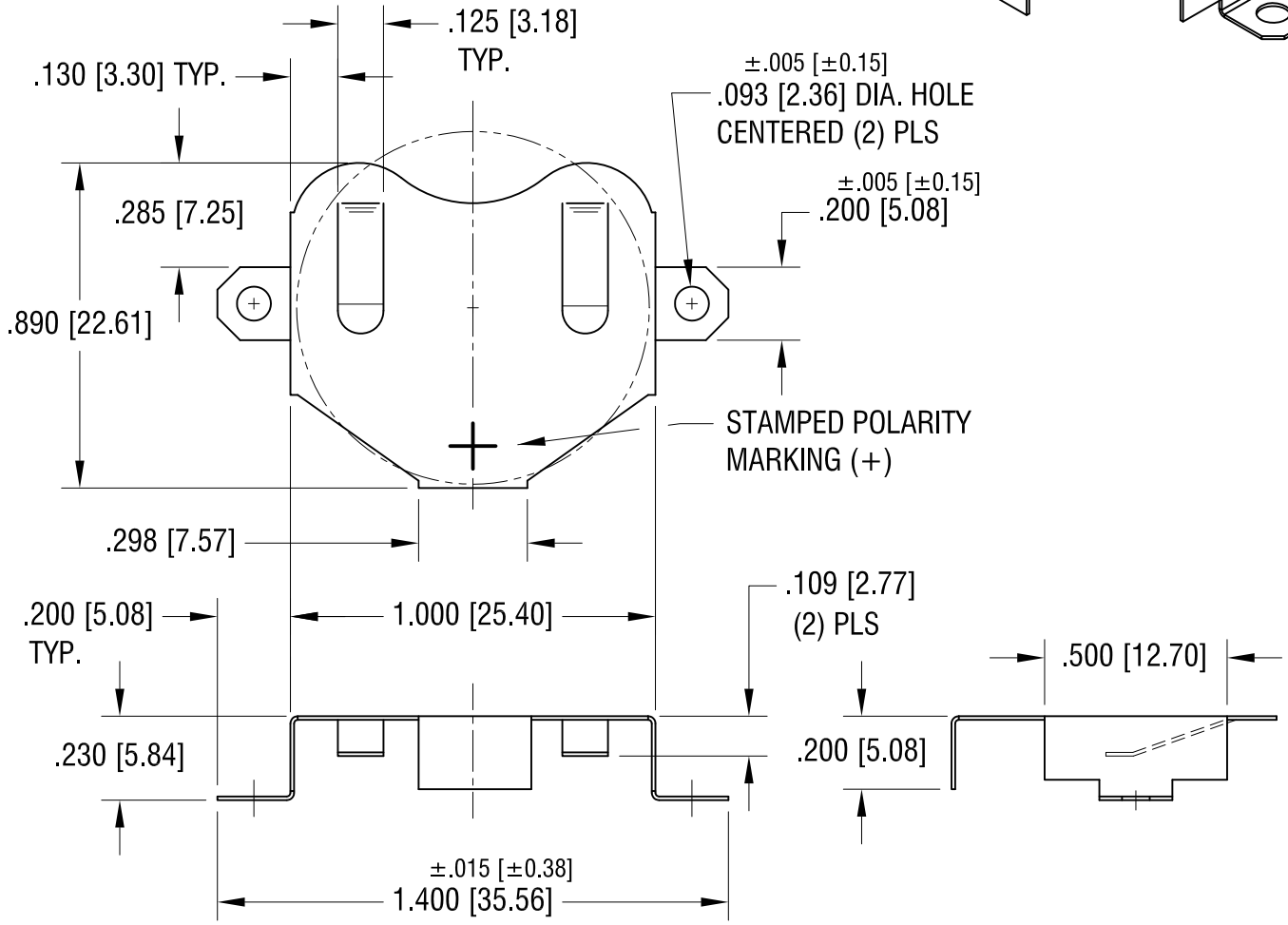
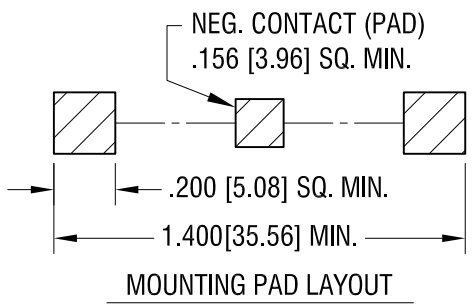
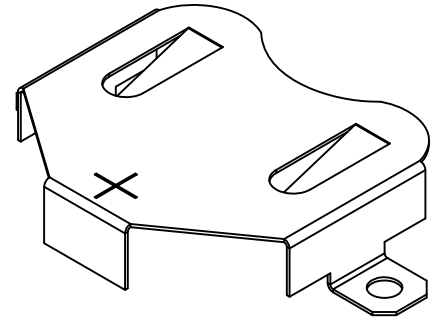


THIS DOCUMENT IS THE PROPERTY OF KEYSTONE ELECTRONICS CORP. AND SHALL NOT BE REPRODUCED, DISTRIBUTED OR USED AS A BASIS FOR MANUFACTURE WITHOUT PRIOR WRITTEN PERMISSION FROM KEYSTONE ELECTRONICS CORP.



|   |        |                                  |             |
|---|--------|----------------------------------|-------------|
| <b>KEYSTONE ELECTRONICS CORP.</b>                               |        |                                  |             |
| www.keyelco.com • ASTORIA, N.Y. 11105-2017 • Tel (718) 956-8900 |        |                                  |             |
| PART NAME   |        | 2450 SM COIN CELL CLIP           |             |
| MATERIAL  |        | .010 [0.25] TH'K PHOSPHOR BRONZE |             |
| FINISH  | DRN BY | DATE                             |             |
| MATTE TIN PLATE   | NT     | 4.08.09                          |             |
|   | APP'D  | SCALE                            |             |
|   |        | 2X                               |             |
| TOLERANCES  | INCH   | [MM]                             | CODE        |
| DECIMAL   | ± .010 | [± 0.25]                         | C           |
| ANGULAR   | ± 1°   |                                  |             |
| UNLESS OTHERWISE SPECIFIED                                      |        |                                  | DWG NO.     |
|   |        |                                  | <b>3088</b> |

|      |             |      |
|------|-------------|------|
| DATE | DESCRIPTION | REV. |
|      |             |      |

## X-ON Electronics

Largest Supplier of Electrical and Electronic Components

*Click to view similar products for [Coin Cell Battery Holders](#) category:*

*Click to view products by [Keystone](#) manufacturer:*

Other Similar products are found below :

[SMTU2450N-LF](#) [PDSN-11-D](#) [1058](#) [1052](#) [799-2007](#) [BH44AAB](#) [BH48DL](#) [BH8000](#) [BS-6-1](#) [79573231](#) [101](#) [3035](#) [1025](#) [1026](#) [1027](#) [103](#)  
[1059](#) [1060](#) [1063](#) [1065](#) [D3](#) [46400000](#) [BC-0403](#) [BH-121-1B](#) [BH-1/2AA-2A](#) [BH-131A](#) [BH-3101A](#) [BH-3103B](#) [BH-311-1A](#) [BH-311-1D](#) [BH-](#)  
[321-1A](#) [BH-321-1B](#) [BH-321-1D](#) [BH-331-3D](#) [BH-331P](#) [BH-333A](#) [BH-341-1P](#) [BH-351A](#) [BH-362B](#) [BH-421A](#) [BH-422A](#) [BH-425A](#) [BH-](#)  
[431-1B](#) [BH-463A](#) [BH-511A](#) [BHC-18650-1P](#) [46300000](#) [46600000](#) [799-2001](#) [SBH-331A](#)