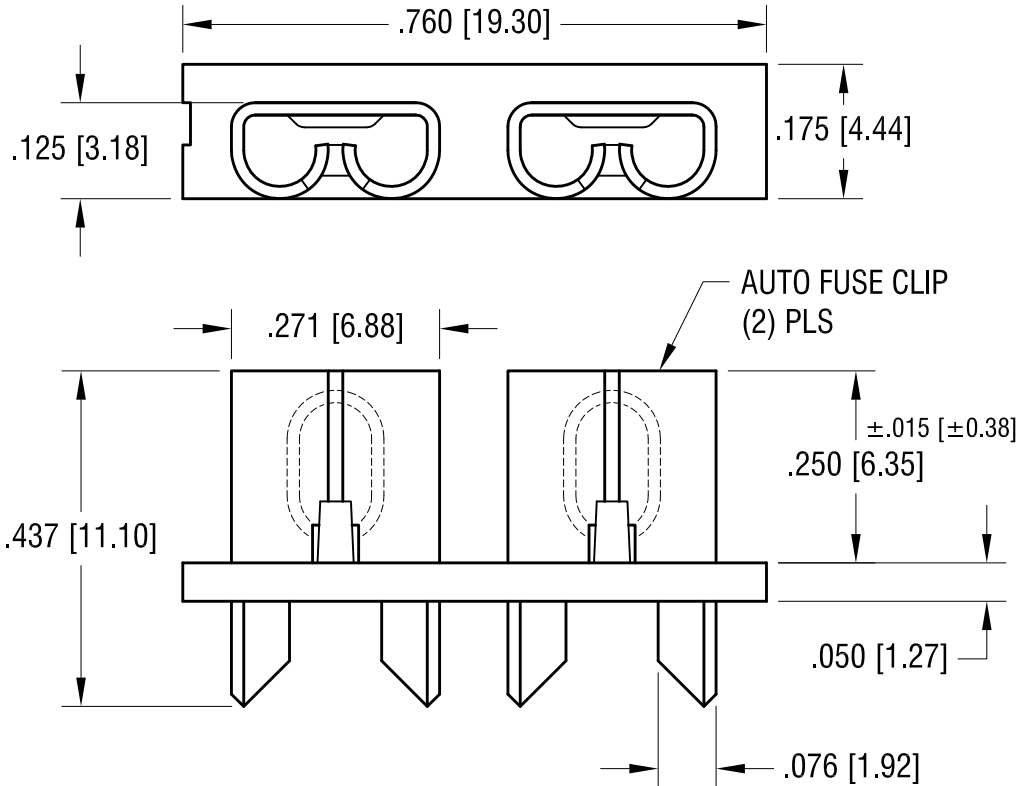
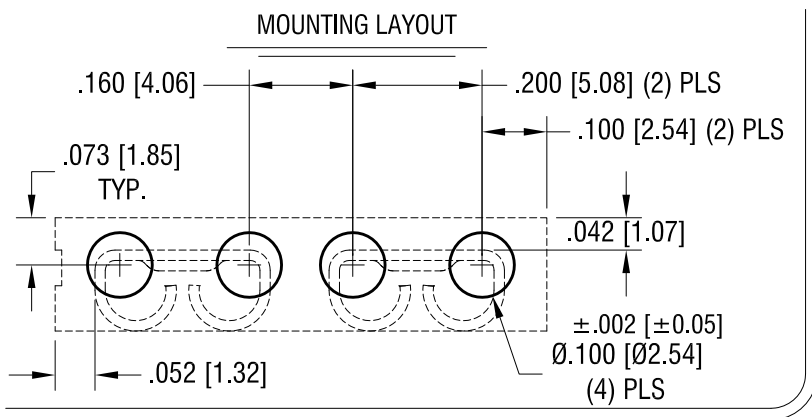
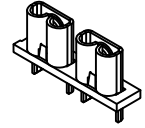


THIS DOCUMENT IS THE PROPERTY OF KEYSTONE ELECTRONICS CORP. AND SHALL NOT BE REPRODUCED, DISTRIBUTED OR USED AS A BASIS FOR MANUFACTURE WITHOUT PRIOR WRITTEN PERMISSION FROM KEYSTONE ELECTRONICS CORP.

ACTUAL SIZE



NOTE:

CLIP: .016 [0.41] TH'K BRASS, TIN NICKEL PLATE  
 BASE: MAT'L: NYLON 6/6, 20% GLASS-FILLED, UL 94V-0  
 CURRENT RATING: 20 AMPS  
 VOLTAGE RATING: 500VAC  
 TEMPERATURE RATING: -58°F TO +292°F  
 (-50°C TO +145°C)

3.30.21	CHANGE AS PER ECN21-031	J
11.03.15	CHANGE AS PER ECN15-130	H
8.18.15	CHANGE AS PER ECN15-079	G
3.0512	CHANGE AS PER ECN 12-029	F
8.18.06	CHANGE AS PER ECN 06-046	E
9.21.04	CHANGE AS PER ECN 04-121	D
DATE	DESCRIPTION	REV.

<b>KEYSTONE ELECTRONICS CORP.</b>			
www.keyelco.com • NEW HYDE PARK, NY 11040 • Tel (516) 328-7500			
PART NAME PC AUTO FUSE SOCKET			
MATERIAL AS NOTED			
FINISH AS NOTED		DRN BY BOONE	DATE 10.05.92
		APP'D	SCALE 4X
TOLERANCES INCH [MM] DECIMAL ± .005 [± 0.13] ANGULAR ± 1° UNLESS OTHERWISE SPECIFIED	CODE C	DWG NO. <b>3522-2</b>	

## X-ON Electronics

Largest Supplier of Electrical and Electronic Components

*Click to view similar products for [Fuse Holder](#) category:*

*Click to view products by [Keystone](#) manufacturer:*

Other Similar products are found below :

[570-290-741P40](#) [570-290-751P40](#) [020417G](#) [020418E](#) [6R30A1B](#) [F600A3B](#) [80910030](#) [8601.2020](#) [G15A2SPQ](#) [9-3557-GP REV A](#) [HDJ-B](#)  
[R6J30A3S](#) [HFH-1](#) [RF30A2B](#) [RF30A3SP](#) [15600-08-10](#) [BK/FHN19G](#) [BK/HHM](#) [BK/HKP-CCHH](#) [BK/HKP-JJ](#) [BK/HTJ-LES-FUSE](#) [HMG-](#)  
[241](#) [HTJ-LES-FUSE](#) [C4044-1](#) [2086-1](#) [2193](#) [2602](#) [2650](#) [178.000100](#) [FHN31G1](#) [T30A2B](#) [G4PB8](#) [2660](#) [2799](#) [CQ-209V](#) [HKP-CCHH](#)  
[R6F30A2S](#) [341001A](#) [345621A](#) [CVRMCC](#) [4202](#) [4407](#) [4408](#) [4413](#) [4423](#) [4532](#) [4537](#) [TSD1404-12](#) [BK/FHN31G1](#) [BK/HC-5](#)