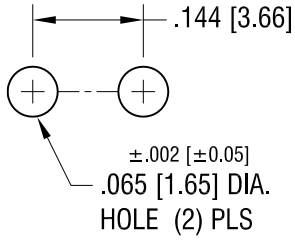
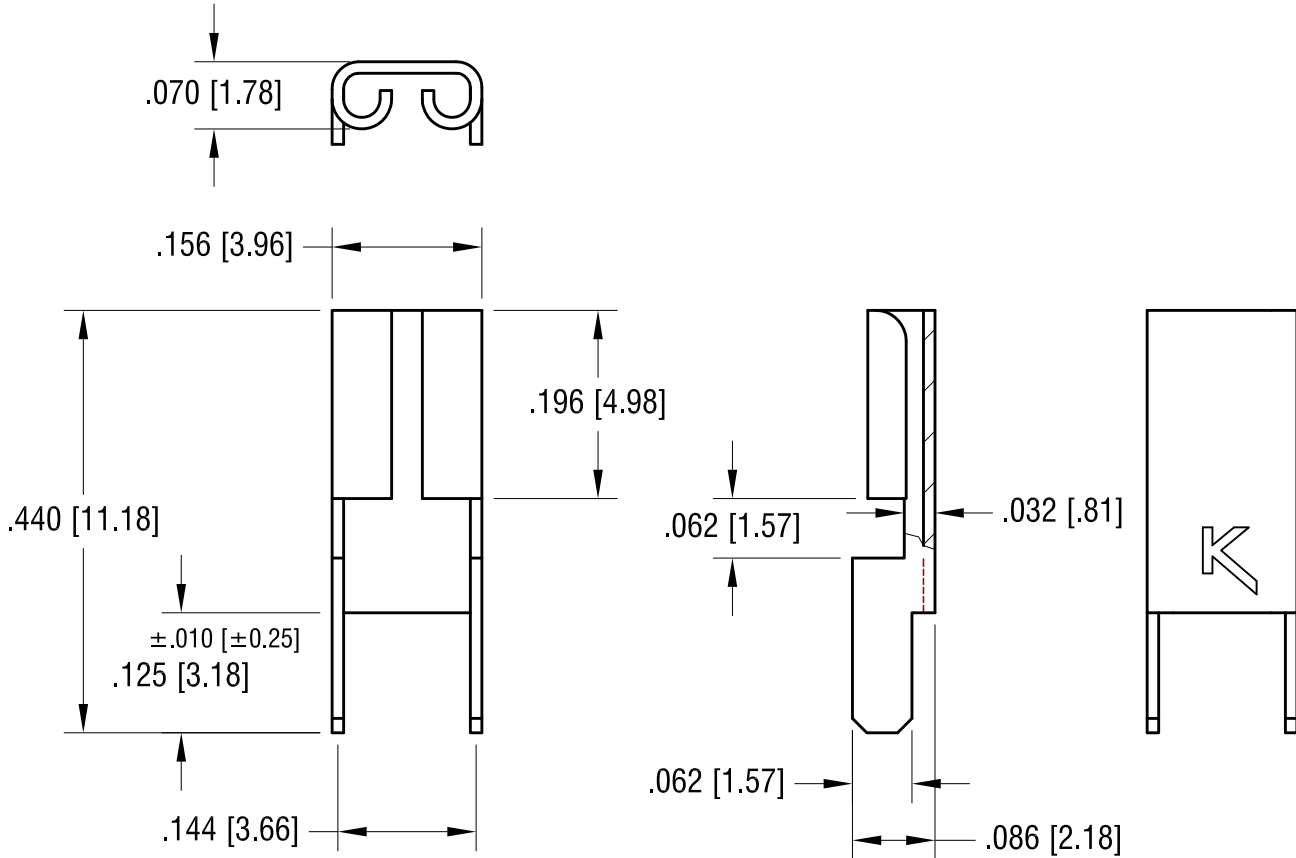


THIS DOCUMENT IS THE PROPERTY OF KEYSTONE ELECTRONICS CORP. AND SHALL NOT BE REPRODUCED, DISTRIBUTED OR USED AS A BASIS FOR MANUFACTURE WITHOUT PRIOR WRITTEN PERMISSION FROM KEYSTONE ELECTRONICS CORP.

MOUNTING DETAIL



ACTUAL SIZE



9.05.12	CHANGE AS PER ECN 12-127	K
6.26.09	CHANGE AS PER ECN 09-085	H
9.11.06	CHANGE AS PER ECN 06-050	G
DATE	DESCRIPTION	REV.

KEYSTONE ELECTRONICS CORP.			
www.keyelco.com • ASTORIA, N.Y. 11105-2017 • Tel (718) 956-8900			
PART NAME .110 [2.79] PC QUICK-FIT TERMINAL			
MATERIAL .012 [0.30] TH'K BRASS			
FINISH TIN NICKEL PLATE		DRN BY BOONE	DATE 6.28.93
		APP'D	SCALE 5X
TOLERANCES DECIMAL ANGULAR UNLESS OTHERWISE SPECIFIED	INCH [MM] ± .005 [± 0.15] ± 1°	CODE C	DWG NO. 3534

X-ON Electronics

Largest Supplier of Electrical and Electronic Components

Click to view similar products for [Fuse Clips](#) category:

Click to view products by [Keystone](#) manufacturer:

Other Similar products are found below :

[5960-64](#) [659524](#) [707190](#) [124472H](#) [BK/4222](#) [BK/4861-01](#) [1A5600](#) [JN1](#) [1A1310-05](#) [1A5940](#) [4121](#) [4207](#) [4861-01](#) [BK/1A5778](#) [BK/1A5779](#)
[BK1A5780](#) [BK/5682-02](#) [4180](#) [00300210H](#) [3561TR](#) [01230002Z](#) [1A5780](#) [9483](#) [1A3400-12-R](#) [3519](#) [KEYSTONE](#) [01230001Z](#) [01000057H](#)
[01020071Z](#) [01250001Z](#) [01250002Z](#) [05200001N](#) [0LCC6](#) [5960-09](#) [BK-1A5601-01](#) [8040.0001](#) [01000058Z](#) [01020079Z](#) [01050002Z](#)
[01070002Z](#) [01210002Z](#) [BK/1A1119-05](#) [FC -102 bright tin](#) [FC -211 bright tin](#) [3515](#) [3517](#) [3520](#) [3522](#) [3529](#) [3533](#) [3534](#)