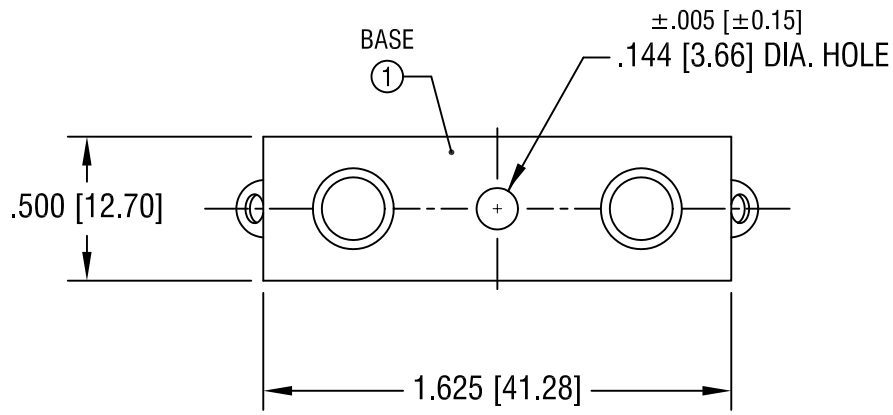
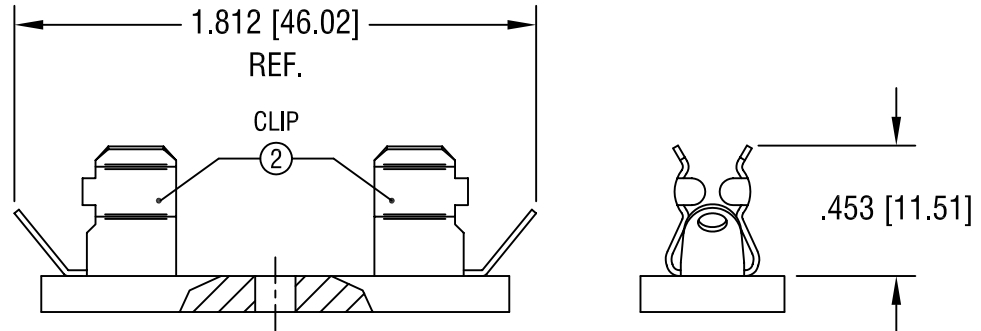


THIS DOCUMENT IS THE PROPERTY OF KEYSTONE ELECTRONICS CORP. AND SHALL NOT BE REPRODUCED, DISTRIBUTED OR USED AS A BASIS FOR MANUFACTURE WITHOUT PRIOR WRITTEN PERMISSION FROM KEYSTONE ELECTRONICS CORP.



NOTES:

- ① BASE:  
MAT'L: .125 [3.18] TH'K  
GPO-3, FLAME RETARDANT,  
UL 94V-0
- ② CLIP: P/N 3535

|                                   |                           |                 |             |
|-----------------------------------|---------------------------|-----------------|-------------|
| <b>KEYSTONE ELECTRONICS CORP.</b> |                           |                 |             |
| ASTORIA, N.Y. 11105-2017          |                           |                 |             |
| PART NAME                         |                           | 3AG FUSE HOLDER |             |
| MATERIAL                          |                           | AS NOTED        |             |
| FINISH                            |                           | DRN BY          | DATE        |
| AS NOTED                          |                           | BOONE           | 10.16.96    |
|                                   |                           | APPD            | SCALE       |
|                                   |                           |                 | 1.5X        |
| TOLERANCES                        | INCH [MM]                 | CODE            | DWG NO.     |
| DECIMAL                           | $\pm .015$ [ $\pm 0.38$ ] | C               | <b>3540</b> |
| ANGULAR                           | $\pm 1^\circ$             |                 |             |
| UNLESS OTHERWISE SPECIFIED        |                           |                 |             |

|      |             |      |
|------|-------------|------|
| DATE | DESCRIPTION | REV. |
|      |             |      |

## X-ON Electronics

Largest Supplier of Electrical and Electronic Components

*Click to view similar products for [Fuse Holder](#) category:*

*Click to view products by [Keystone](#) manufacturer:*

Other Similar products are found below :

[570-290-741P40](#) [570-290-751P40](#) [020417G](#) [020418E](#) [6R30A1B](#) [F600A3B](#) [80910030](#) [8601.2020](#) [G15A2SPQ](#) [9-3557-GP REV A](#) [HDJ-B](#)  
[R6J30A3S](#) [HFH-1](#) [RF30A2B](#) [RF30A3SP](#) [15600-08-10](#) [BK/FHN19G](#) [BK/HHM](#) [BK/HKP-CCHH](#) [BK/HKP-JJ](#) [BK/HTJ-LES-FUSE](#) [HMG-](#)  
[241](#) [HTJ-LES-FUSE](#) [C4044-1](#) [2086-1](#) [2193](#) [2602](#) [2650](#) [178.000100](#) [FHN31G1](#) [T30A2B](#) [G4PB8](#) [2660](#) [2799](#) [CQ-209V](#) [HKP-CCHH](#)  
[R6F30A2S](#) [341001A](#) [345621A](#) [CVRMCC](#) [4202](#) [4407](#) [4408](#) [4413](#) [4423](#) [4532](#) [4537](#) [TSD1404-12](#) [BK/FHN31G1](#) [BK/HC-5](#)