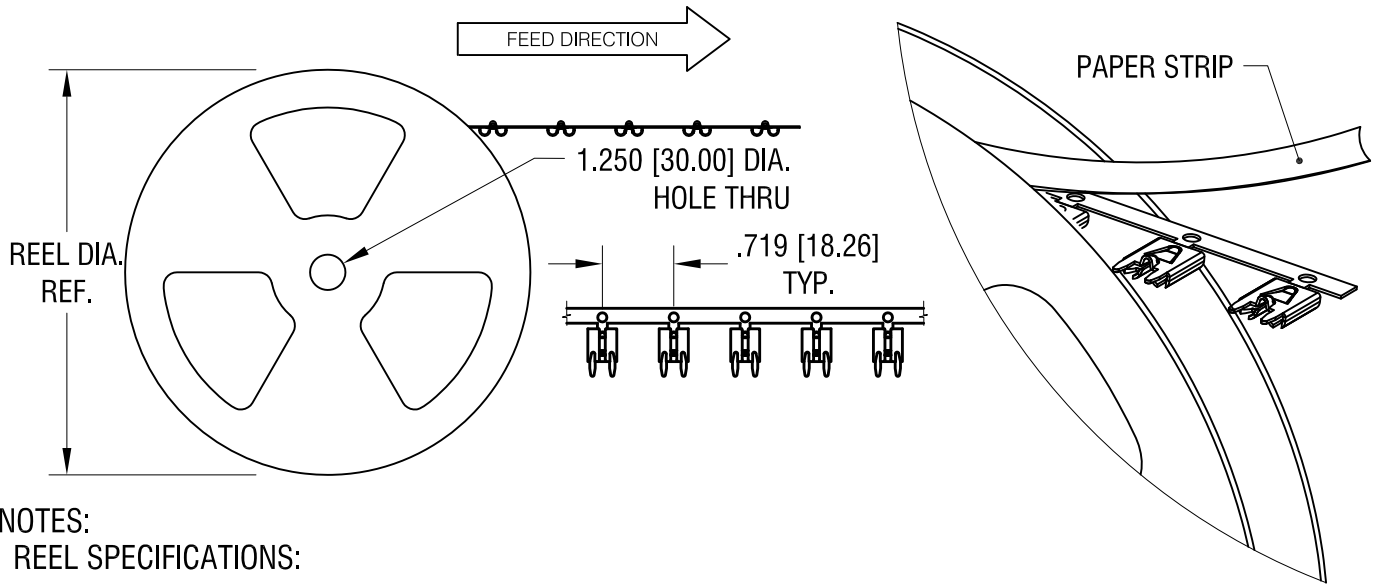
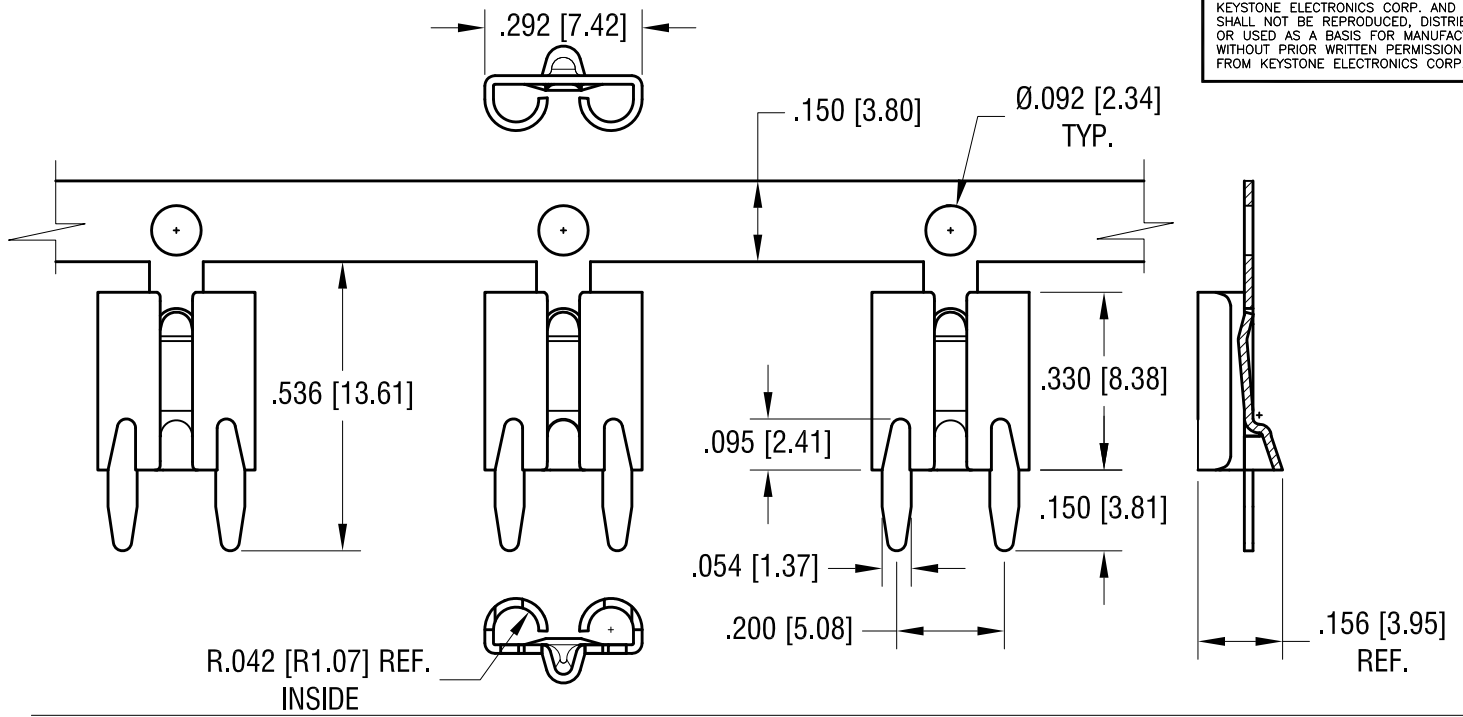


THIS DOCUMENT IS THE PROPERTY OF KEYSTONE ELECTRONICS CORP. AND SHALL NOT BE REPRODUCED, DISTRIBUTED OR USED AS A BASIS FOR MANUFACTURE WITHOUT PRIOR WRITTEN PERMISSION FROM KEYSTONE ELECTRONICS CORP.



NOTES:

REEL SPECIFICATIONS:

1. REEL: CARDBOARD
24.0 [610.0] DIA. 4000 PIECES PER CONTINUOUS REEL.
2. PAPER STRIP WILL BE ADDED TO SEPARATE EACH TERMINALS ROW

TERMINAL SPECIFICATIONS:

1. MAT'L- .016 [0.40] BRASS
2. FINISH: MATTE TIN PLATE.

6.01.22	WAS 5000 PCS PER REEL PARTS REPOSITIONED, WAS FRONT UP CHANGE AS PER ECN 22-082	B
3.09.22	CHANGE AS PER ECN 22-056	A
DATE	DESCRIPTION	REV.

KEYSTONE ELECTRONICS CORP.			
www.keyelco.com • NEW HYDE PARK, NY 11040 • Tel (516) 328-7500			
PART NAME PC QUICK FIT TERMINAL - CONTINUOUS REEL			
MATERIAL AS NOTED			
FINISH AS NOTED		DRN BY HAMILTON	DATE 19JUN18
		APP'D	SCALE 3X, X
TOLERANCES INCH [MM]	CODE	DWG NO.	
DECIMAL ±.005 [±0.13]	C	3573-R	
ANGULAR ± 1° UNLESS OTHERWISE SPECIFIED			

X-ON Electronics

Largest Supplier of Electrical and Electronic Components

Click to view similar products for [Fuse Clips](#) category:

Click to view products by [Keystone](#) manufacturer:

Other Similar products are found below :

[659524](#) [707190](#) [HTC210M](#) [JN1](#) [BK/1A5778](#) [BK/1A5779](#) [BK1A5780](#) [BK/5682-02](#) [4180](#) [104002](#) [3561TR](#) [01230001Z](#) [01000057H](#)
[01020071Z](#) [01020076Z](#) [01250001Z](#) [01250002Z](#) [05200001N](#) [51900001009](#) [0752.1243](#) [5960-09](#) [51800001009](#) [BK-1A5601-01](#) [8040.0001](#)
[01000058Z](#) [01220087Z](#) [01020079Z](#) [01050002Z](#) [01070002Z](#) [01210002Z](#) [BK/1A1119-05](#) [3586KTR](#) [0751.0141](#) [3-124-245](#) [3563KTR](#)
[3561KTR](#) [JN3](#) [0752.1242](#) [3583KTR](#) [FC -102 bright tin](#) [3588-1](#) [FC -211 bright tin](#) [3515](#) [3517](#) [3520](#) [3522](#) [3529](#) [3532](#) [3533](#) [3534](#)