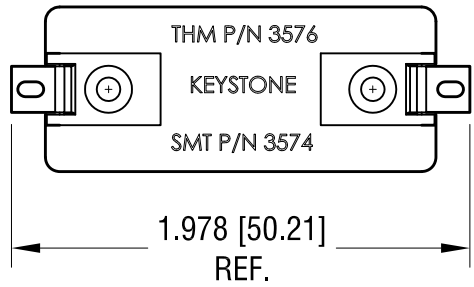
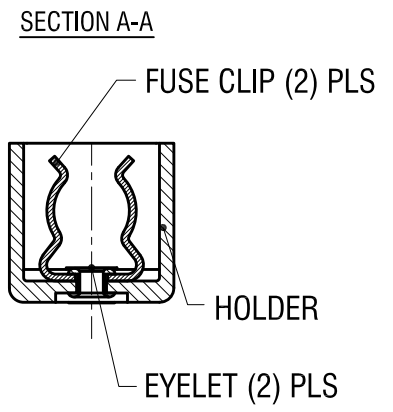
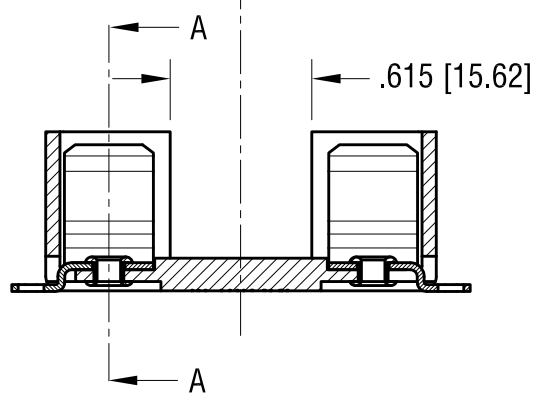
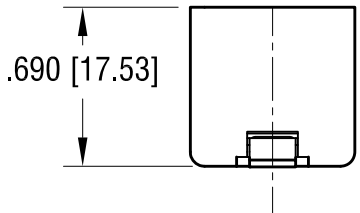
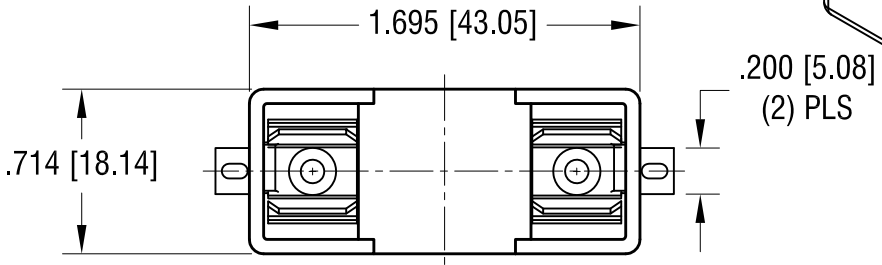
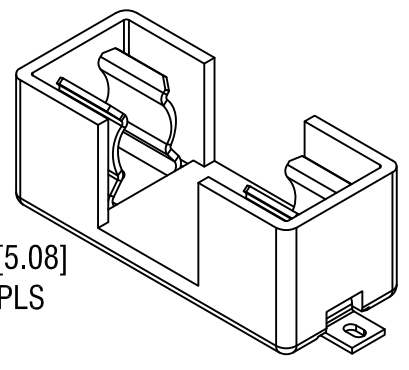
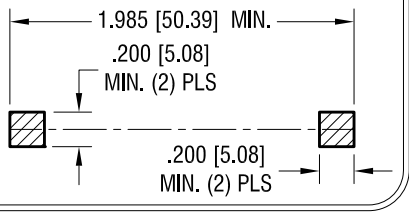


THIS DOCUMENT IS THE PROPERTY OF KEYSTONE ELECTRONICS CORP. AND SHALL NOT BE REPRODUCED, DISTRIBUTED OR USED AS A BASIS FOR MANUFACTURE WITHOUT PRIOR WRITTEN PERMISSION FROM KEYSTONE ELECTRONICS CORP.

MOUNTING LAYOUT



NOTE:
 HOLDER: MAT'L- HI-TEMPERATURE NYLON (BLACK COLOR)
 UL RATING 94V-0
 FUSE CLIP: MAT'L- .030 [0.76] TH'K BRASS
 FINISH- TIN PLATE

KEYSTONE ELECTRONICS CORP.			
www.keyelco.com • ASTORIA, N.Y. 11105-2017 • Tel (718) 956-8900			
PART NAME		SMT FUSE HOLDER	
MATERIAL		AS NOTED	
FINISH	AS NOTED	DRN BY	DATE
		NT	2.16.12
		APP'D	SCALE
			1.2X
TOLERANCES	INCH [MM]	CODE	DWG NO.
DECIMAL	± .010 [± 0.25]	C	
ANGULAR	± 1°		
UNLESS OTHERWISE SPECIFIED			3574

7.24.12	CHANGE AS PER ECN 12-093	B
7.20.12	CHANGE AS PER ECN 12-90	A
DATE	DESCRIPTION	REV.

X-ON Electronics

Largest Supplier of Electrical and Electronic Components

Click to view similar products for [Fuse Holder](#) category:

Click to view products by [Keystone](#) manufacturer:

Other Similar products are found below :

[570-290-741P40](#) [0031.1351.01](#) [020417G](#) [020418E](#) [6R30A1B](#) [F30A3S](#) [80910030](#) [8601.2020](#) [G15A2SPQ](#) [9-3557-GP REV A](#) [HDJ-B](#)
[R6J30A3S](#) [HFH-1](#) [RF30A1S](#) [RF30A2B](#) [RF30A3SP](#) [BK/HHM](#) [BK/HJM-HH](#) [HTJ-LES-FUSE](#) [C4044-1](#) [2086-1](#) [2602](#) [2650](#) [178.000100](#)
[F60A2SQ](#) [T30A2B](#) [G4PB8](#) [2660](#) [CQ-209V](#) [HKP-CCHH](#) [R6F30A2S](#) [341001A](#) [345621A](#) [348670](#) [CVRMCC](#) [4202](#) [4407](#) [4408](#) [4413](#) [4423](#)
[4532](#) [4537](#) [TSD1404-12](#) [BPHHU](#) [HPC](#) [55900008011](#) [32NNL](#) [345602-010](#) [345603-010](#) [345612](#)