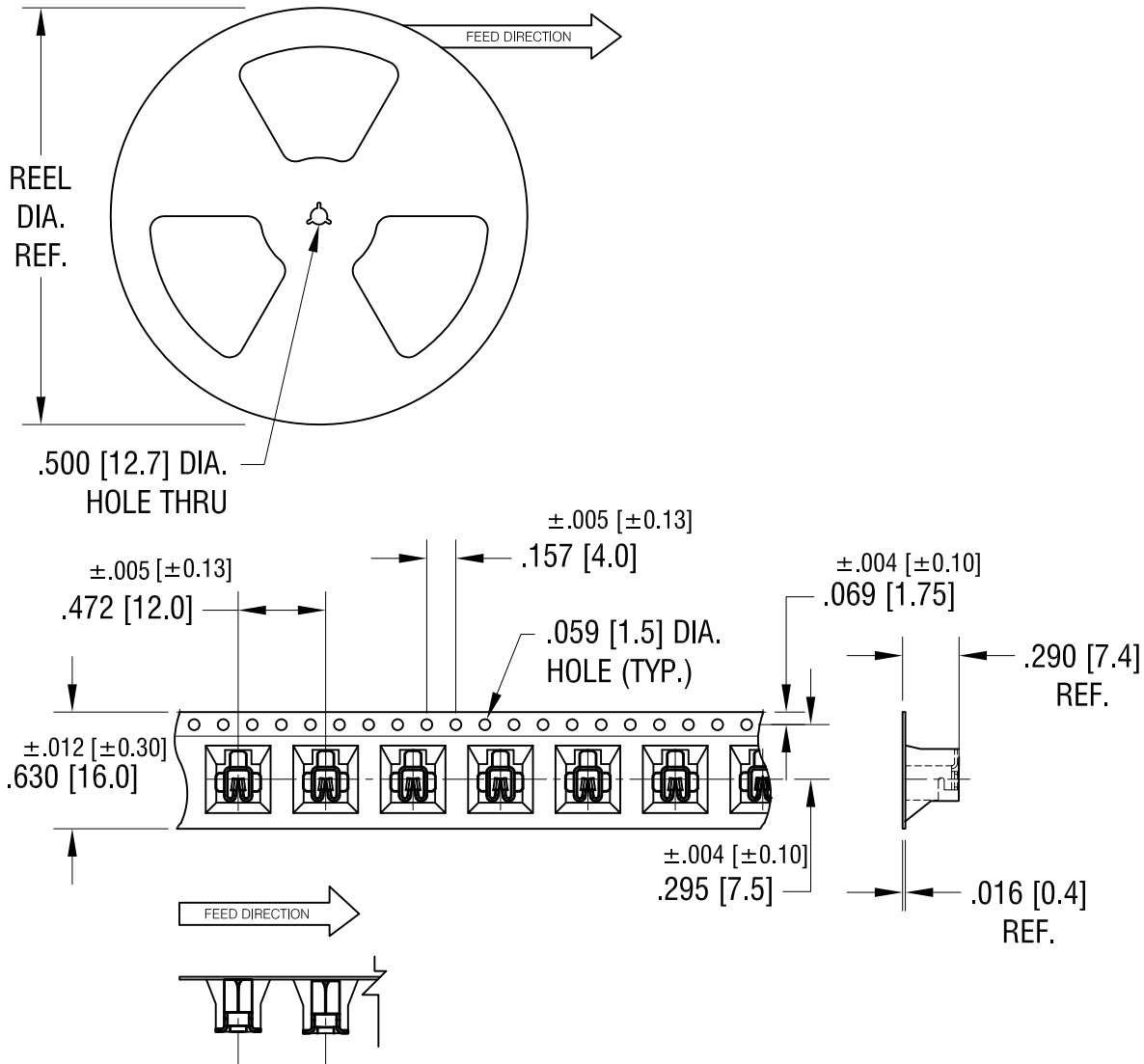


THIS DOCUMENT IS THE PROPERTY OF KEYSTONE ELECTRONICS CORP. AND SHALL NOT BE REPRODUCED, DISTRIBUTED OR USED AS A BASIS FOR MANUFACTURE WITHOUT PRIOR WRITTEN PERMISSION FROM KEYSTONE ELECTRONICS CORP.



NOTES:

TAPE AND REEL SPECIFICATIONS:

1. TAPE:

MAT'L - ALL CONDUCTIVE POLYSTYRENE CARRIER  
ANSI/EIA-481 STANDARD  
.630 [16.0] WIDE; .472 [12.0] PITCH

2. REEL:

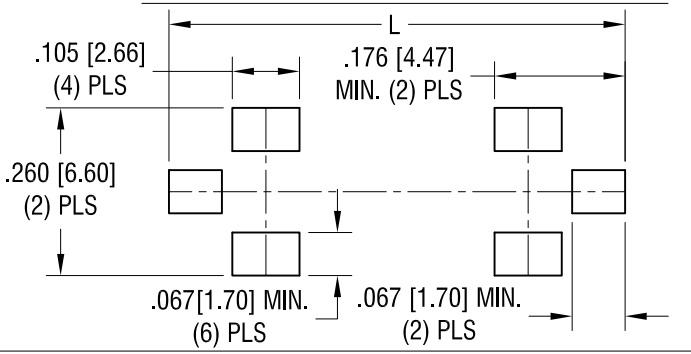
13.0 [330.2] DIA. 750 PIECES OF  
PART NO. 3586 PER REEL.

<b>KEYSTONE ELECTRONICS CORP.</b>			
www.keyelco.com • ASTORIA, N.Y. 11105-2017 • Tel (718) 956-8900			
PART NAME			
SM UNIVERSAL AUTO FUSE, ON TAPE			
MATERIAL			
AS NOTED			
FINISH		DRN BY	DATE
AS NOTED		NT	10.7.09
		APP'D	SCALE
			X
TOLERANCES	INCH	[MM]	CODE
DECIMAL	$\pm .015$	$[\pm 0.38]$	C
ANGULAR	$\pm 1^\circ$		
UNLESS OTHERWISE SPECIFIED			DWG NO.
			<b>3586TR</b>

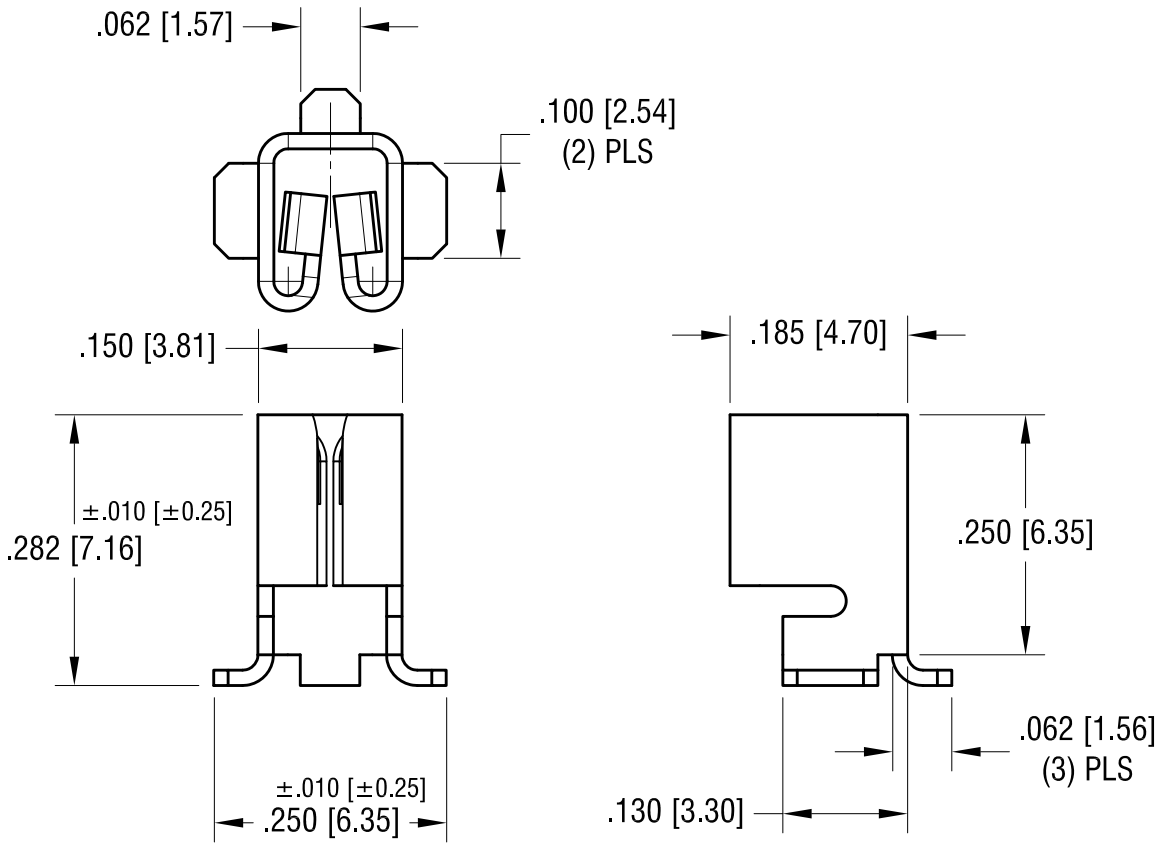
DATE	DESCRIPTION	REV.

THIS DOCUMENT IS THE PROPERTY OF KEYSTONE ELECTRONICS CORP. AND SHALL NOT BE REPRODUCED, DISTRIBUTED OR USED AS A BASIS FOR MANUFACTURE WITHOUT PRIOR WRITTEN PERMISSION FROM KEYSTONE ELECTRONICS CORP.

MOUNTING LAYOUT FOR TWO CLIPS  
 L = .562 [14.27] FOR MINI FUSES  
 L = .750 [19.04] FOR STANDARD AND LOW PROFILE FUSES



ACTUAL SIZE



DATE	DESCRIPTION	REV.
12.15.15	CHANGE AS PER ECN 15-021	E
2.11.15	CHANGE AS PER ECN 15-021	D
4.09.14	CHANGE AS PER ECN 14-043	C
1.18.10	CHANGE AS PER ECN 10-004	B
10.06.09	CHANGE AS PER ECN 09-142	A

<b>KEYSTONE ELECTRONICS CORP.</b>			
www.keyelco.com • NEW HYDE PARK, NY 11040 • Tel (516) 328-7500			
PART NAME		SM UNIVERSAL AUTO FUSE CLIP	
MATERIAL		.016 [0.41] TH'K BRASS	
FINISH		DRN BY	DATE
TIN NICKEL PLATE		NT	5.06.09
		APP'D	SCALE
			5X
TOLERANCES	INCH [MM]	CODE	DWG NO.
DECIMAL	± .005 [± 0.13]	C	<b>3586</b>
ANGULAR	± 1°		
UNLESS OTHERWISE SPECIFIED			

## X-ON Electronics

Largest Supplier of Electrical and Electronic Components

*Click to view similar products for [Fuse Clips](#) category:*

*Click to view products by [Keystone](#) manufacturer:*

Other Similar products are found below :

[5960-64](#) [659524](#) [707190](#) [124472H](#) [BK/4222](#) [BK/4861-01](#) [1A5600](#) [JN1](#) [1A1310-05](#) [1A5940](#) [4121](#) [4207](#) [4861-01](#) [BK/1A5778](#) [BK/1A5779](#)  
[BK1A5780](#) [BK/5682-02](#) [4180](#) [00300210H](#) [3561TR](#) [01230002Z](#) [1A5780](#) [9483](#) [1A3400-12-R](#) [3519](#) [KEYSTONE](#) [01230001Z](#) [01000057H](#)  
[01020071Z](#) [01250001Z](#) [01250002Z](#) [05200001N](#) [0LCC6](#) [5960-09](#) [BK-1A5601-01](#) [8040.0001](#) [01000058Z](#) [01020079Z](#) [01050002Z](#)  
[01070002Z](#) [01210002Z](#) [BK/1A1119-05](#) [FC -102 bright tin](#) [FC -211 bright tin](#) [3515](#) [3517](#) [3520](#) [3522](#) [3529](#) [3533](#) [3534](#)