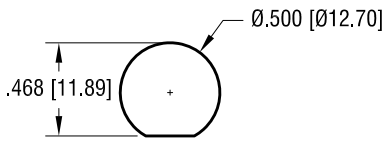
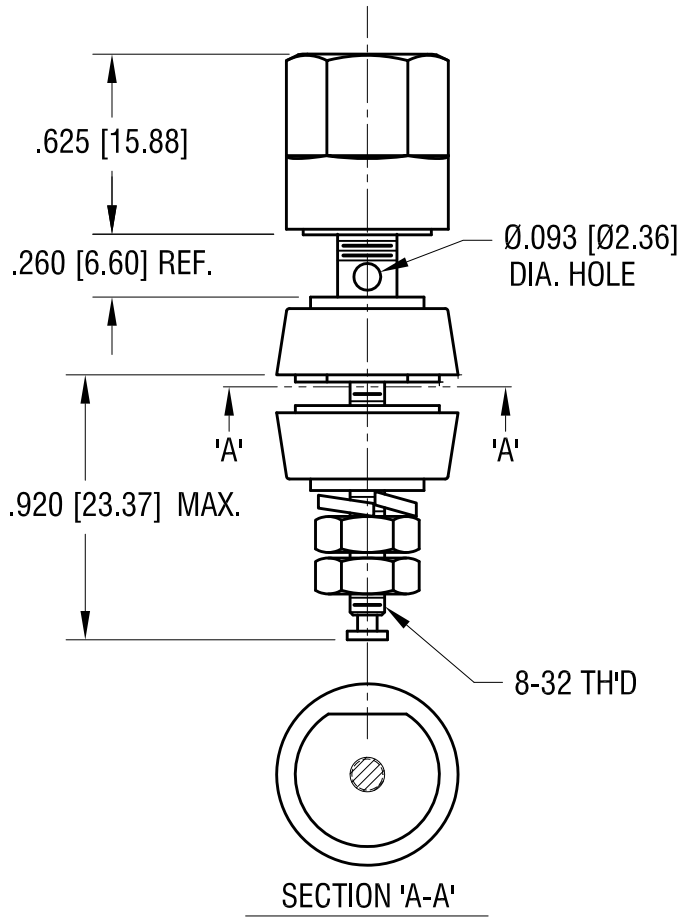


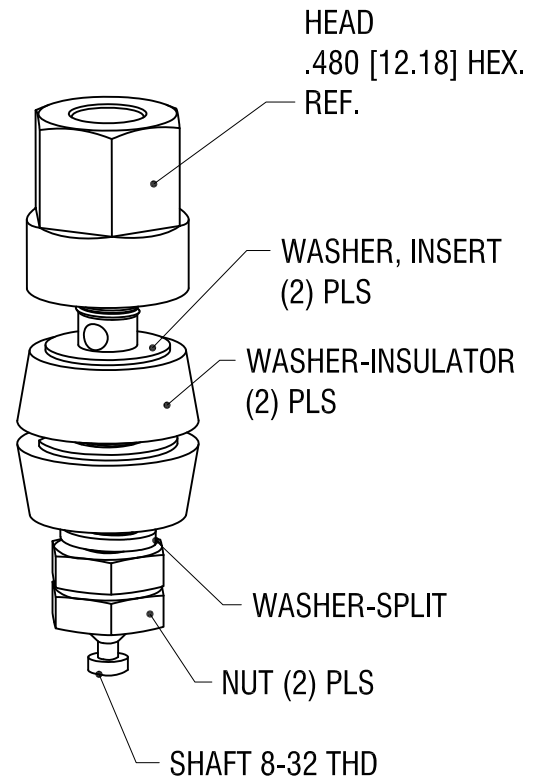
**MOUNTING DETAIL**



THIS DOCUMENT IS THE PROPERTY OF KEYSTONE ELECTRONICS CORP. AND SHALL NOT BE REPRODUCED, DISTRIBUTED OR USED AS A BASIS FOR MANUFACTURE WITHOUT PRIOR WRITTEN PERMISSION FROM KEYSTONE ELECTRONICS CORP.



| P/N  | TH'D | COLOR |
|------|------|-------|
| 4091 | 8-32 | RED   |
| 4092 | 8-32 | BLACK |



| DESCRIPTION       | MAT'L | FINISH     |
|-------------------|-------|------------|
| HEAD              | NYLON | -          |
| WASHER, INSULATOR | NYLON | -          |
| WASHER, INSERT    | BRASS | NICKEL PL. |
| WASHER, SPLIT     | BRASS | NICKEL PL. |
| NUT               | BRASS | NICKEL PL. |
| SHAFT 8-32 TH'D   | BRASS | NICKEL PL. |

| DATE    | DESCRIPTION              | REV. |
|---------|--------------------------|------|
| 6.02.08 | CHANGE AS PER ECN 08-107 | B    |
| 2.17.06 | CHANGE AS PER ECN 06-013 | A    |

**KEYSTONE ELECTRONICS CORP.**  
 www.keyelco.com • NEW HYDE PARK, NY 11040 • Tel (516) 328-7500

PART NAME: STANDARD 'HEX' BINDING POST

MATERIAL: AS NOTED

|                  |               |                |
|------------------|---------------|----------------|
| FINISH: AS NOTED | DRN BY: BOONE | DATE: 11.17.93 |
|                  | APP'D:        | SCALE: 1.5X    |

TOLERANCES INCH [MM]:  
 DECIMAL ± .005 [± 0.13]  
 ANGULAR ± 1°  
 UNLESS OTHERWISE SPECIFIED

CODE: C

DWG NO.: 4091-4092

## X-ON Electronics

Largest Supplier of Electrical and Electronic Components

*Click to view similar products for [Test Plugs & Test Jacks](#) category:*

*Click to view products by [Keystone](#) manufacturer:*

Other Similar products are found below :

[01-2601-4-0210](#) [01-2601-4-0212](#) [01-2604-4-0212](#) [01-2604-5-0210](#) [01-2150-1-0312](#) [01-2350-1-02](#) [01-2352-1-02](#) [01-2368-1-02](#) [01-2604-4-0210](#) [01-2604-5-0212](#) [01-2606-4-0210](#) [01-2606-4-0212](#) [01-2606-5-0212](#) [M39024/10-01G](#) [M39024/10-17G](#) [M39024/11-09G](#) [M39024/11-42](#) [M39024/11-43](#) [M39024/12-08](#) [707-5311](#) [707-5402-01-19](#) [707-5410](#) [923739-40-I](#) [R644543000](#) [R948161000](#) [R999351000](#) [1408-4](#) [1499-101](#) [1533-1](#) [1659559](#) [1659567](#) [1663921](#) [1663939](#) [1696-102](#) [174-R825B-EX](#) [NYS508-BU](#) [NYS508-O](#) [211-101](#) [RS100GBL](#) [RS250GBL](#) [251-102](#) [25-2251-2-03](#) [25-2259-2-03](#) [923743-16-I](#) [923743-24-I](#) [923743-28-I](#) [2854-BLU](#) [2970-BLK](#) [30-443G](#) [1680](#)