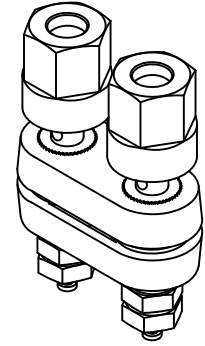
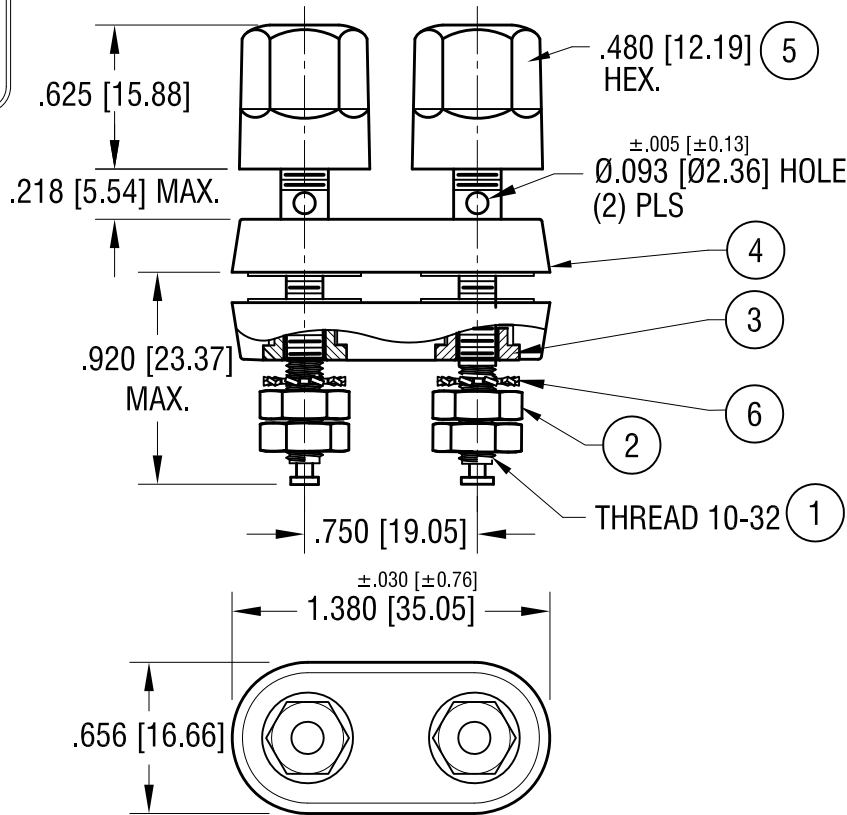
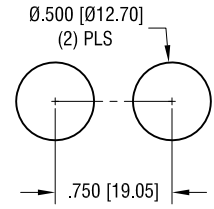


THIS DOCUMENT IS THE PROPERTY OF KEYSTONE ELECTRONICS CORP. AND SHALL NOT BE REPRODUCED, DISTRIBUTED OR USED AS A BASIS FOR MANUFACTURE WITHOUT PRIOR WRITTEN PERMISSION FROM KEYSTONE ELECTRONICS CORP.

ACTUAL SIZE



MTG HOLE LAYOUT



NO.	QTY	DESCRIPTION	MAT'L	FINISH
6	2	EXTERNAL TOOTH LOCK WASHER	STEEL	GOLD PL.
5	2	HEAD, (1) RED, (1) BLK	NYLON	-
4	2	WASHER, INSULATOR	NYLON	-
3	2	WASHER, INSERT	BRASS	GOLD PL.
2	4	NUT	STEEL	GOLD PL.
1	2	SHAFT	STEEL	GOLD PL.

KEYSTONE ELECTRONICS CORP.

www.keyelco.com • NEW HYDE PARK, NY 11040 • Tel (516) 328-7500

PART NAME

STANDARD 'DUAL' BINDING POST

MATERIAL

AS NOTED

FINISH

AS NOTED

DRN BY NT

DATE 2.11.09

APP'D

SCALE 1.2X

TOLERANCES

INCH [MM]
DECIMAL ±.010 [±0.25]

CODE

DWG NO.

ANGULAR ± 1°
UNLESS OTHERWISE SPECIFIED

C

4109

DATE	DESCRIPTION	REV.
11.02.21	CHANGE AS PER ECN 21-127	E
7.13.20	CHANGE AS PER ECN 20-066	D
8.14.12	CHANGE AS PER ECN 12-106	C
2.11.09	CHANGE AS PER ECN 09-010	B

X-ON Electronics

Largest Supplier of Electrical and Electronic Components

Click to view similar products for [Test Plugs & Test Jacks](#) category:

Click to view products by [Keystone](#) manufacturer:

Other Similar products are found below :

[01-2601-4-0210](#) [01-2601-4-0212](#) [01-2604-4-0212](#) [01-2604-5-0210](#) [01-2150-1-0312](#) [01-2350-1-02](#) [01-2352-1-02](#) [01-2368-1-02](#) [01-2604-4-0210](#) [01-2604-5-0212](#) [01-2606-4-0210](#) [01-2606-4-0212](#) [01-2606-5-0212](#) [M39024/10-01G](#) [M39024/10-17G](#) [M39024/11-09G](#) [M39024/11-42](#) [M39024/11-43](#) [M39024/12-08](#) [707-5311](#) [707-5402-01-19](#) [707-5410](#) [923739-40-I](#) [R644543000](#) [R948161000](#) [R999351000](#) [1408-4](#) [1499-101](#) [1533-1](#) [1659559](#) [1659567](#) [1663921](#) [1663939](#) [1696-102](#) [174-R825B-EX](#) [NYS508-BU](#) [NYS508-O](#) [211-101](#) [RS100GBL](#) [RS250GBL](#) [251-102](#) [25-2251-2-03](#) [25-2259-2-03](#) [923743-16-I](#) [923743-24-I](#) [923743-28-I](#) [2854-BLU](#) [30-443G](#) [1680](#) [174-R819B-EX](#)