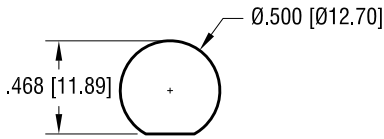
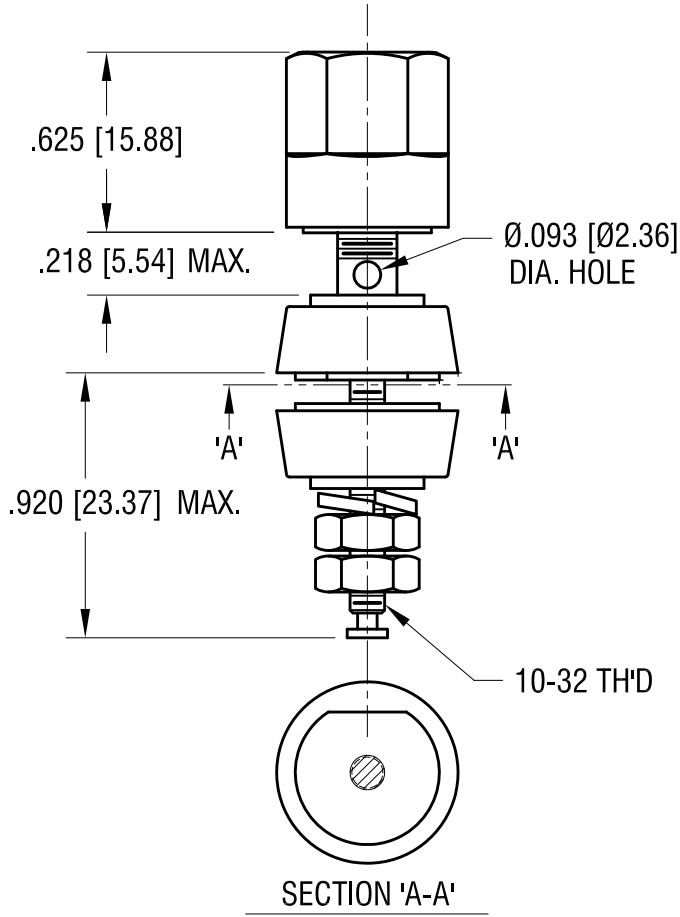


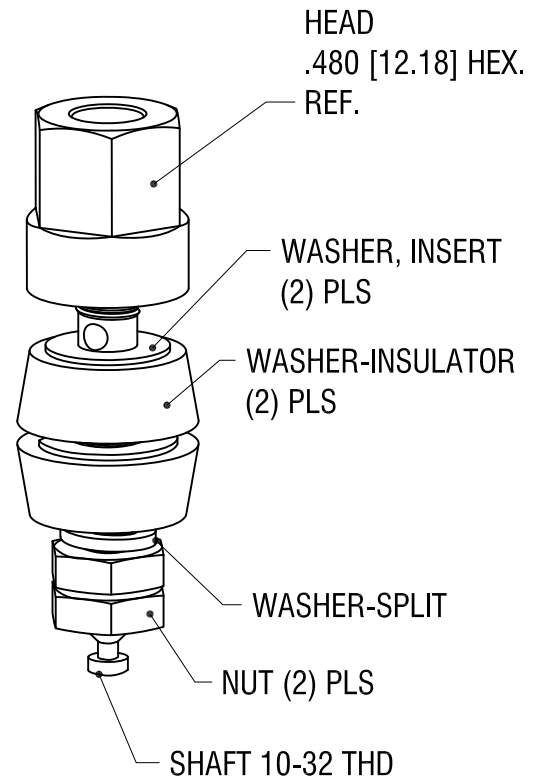
MOUNTING DETAIL



THIS DOCUMENT IS THE PROPERTY OF KEYSTONE ELECTRONICS CORP. AND SHALL NOT BE REPRODUCED, DISTRIBUTED OR USED AS A BASIS FOR MANUFACTURE WITHOUT PRIOR WRITTEN PERMISSION FROM KEYSTONE ELECTRONICS CORP.



P/N	TH'D	COLOR
4198	10-32	WHITE
4199	10-32	YELLOW



DESCRIPTION	MAT'L	FINISH
HEAD	NYLON	-
WASHER, INSULATOR	NYLON	-
WASHER, INSERT	BRASS	NICKEL PL.
WASHER, SPLIT	BRASS	NICKEL PL.
NUT	BRASS	NICKEL PL.
SHAFT 10-32 TH'D	BRASS	NICKEL PL.

DATE	DESCRIPTION	REV.
10.28.11	SPLIT C/M TO 'C' & 'M' CHANGE AS PER ECN 11-140	B
2.17.06	CHANGE AS PER ECN 06-013	A

KEYSTONE ELECTRONICS CORP.
 www.keyelco.com • ASTORIA, N.Y. 11105-2017 • Tel (718) 956-8900

PART NAME: STANDARD 'HEX' BINDING POST

MATERIAL: AS NOTED

FINISH: AS NOTED	DRN BY: BOONE	DATE: 4.19.04
	APP'D:	SCALE: X

TOLERANCES INCH [MM]
 DECIMAL ± .005 [± 0.13]
 ANGULAR ± 1°
 UNLESS OTHERWISE SPECIFIED

CODE: C DWG NO.: 4198-4199

X-ON Electronics

Largest Supplier of Electrical and Electronic Components

Click to view similar products for [Test Plugs & Test Jacks](#) category:

Click to view products by [Keystone](#) manufacturer:

Other Similar products are found below :

[01-2601-4-0210](#) [01-2601-4-0212](#) [01-2604-4-0212](#) [01-2604-5-0210](#) [01-2150-1-0312](#) [01-2350-1-02](#) [01-2352-1-02](#) [01-2368-1-02](#) [01-2604-4-0210](#) [01-2604-5-0212](#) [01-2606-4-0210](#) [01-2606-4-0212](#) [01-2606-5-0212](#) [M39024/10-01G](#) [M39024/10-17G](#) [M39024/11-09G](#) [M39024/11-42](#) [M39024/11-43](#) [M39024/12-08](#) [707-5311](#) [707-5402-01-19](#) [707-5410](#) [923739-40-I](#) [R644543000](#) [R948161000](#) [R999351000](#) [1408-4](#) [1499-101](#) [1533-1](#) [1659559](#) [1659567](#) [1663921](#) [1663939](#) [1696-102](#) [174-R825B-EX](#) [NYS508-BU](#) [NYS508-O](#) [211-101](#) [RS100GBL](#) [RS250GBL](#) [251-102](#) [25-2251-2-03](#) [25-2259-2-03](#) [923743-16-I](#) [923743-24-I](#) [923743-28-I](#) [2854-BLU](#) [2970-BLK](#) [30-443G](#) [1680](#)