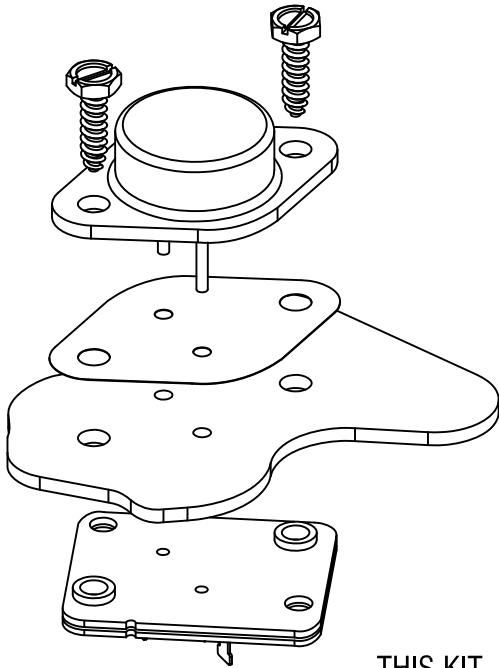


THIS DOCUMENT IS THE PROPERTY OF  
KEYSTONE ELECTRONICS CORP. AND  
SHALL NOT BE REPRODUCED, DISTRIBUTED  
OR USED AS A BASIS FOR MANUFACTURE  
WITHOUT PRIOR WRITTEN PERMISSION  
FROM KEYSTONE ELECTRONICS CORP.



THIS KIT, 4733, CONTAINS THE FOLLOWING ITEMS:

| PART NO. | DESCRIPTION    | QUANTITY |
|----------|----------------|----------|
| 4706     | 6-20 SCREW     | 2        |
| 4651     | MICA INSULATOR | 1        |
| 4608     | SOCKET         | 1        |

### KEYSTONE ELECTRONICS CORP.

www.keyelco.com • NEW HYDE PARK, NY 11040 • Tel (516) 328-7500

PART NAME

TO-3 TRANSISTOR SOCKET MOUNTING KIT

MATERIAL

AS NOTED

FINISH

AS NOTED

DRN BY

BOONE

DATE

1.26.07

APP'D

SCALE

1X

TOLERANCES

INCH

[MM]

CODE

DWG NO.

DECIMAL  $\pm .005$  [ $\pm 0.13$ ]

C

4733

ANGULAR  $\pm 1^\circ$   
UNLESS OTHERWISE SPECIFIED

DATE

DESCRIPTION

REV.

## X-ON Electronics

Largest Supplier of Electrical and Electronic Components

*Click to view similar products for [Mounting Fixings](#) category:*

*Click to view products by [Keystone](#) manufacturer:*

Other Similar products are found below :

[5912235-1 REV](#) - [5912235-2](#) [007541](#) [627](#) [M3783-7001](#) [71-074914-006](#) [71-441549-19S](#) [75-69211-3P](#) [75-69214-6P](#) [75-69224-28P](#) [75-69224-5S](#) [75-69232-17S](#) [7717-8DAP](#) [85047GULPT](#) [85054GBEPR](#) [FPK-02-R10](#) [PMS27488-001-01](#) [1-18023-0](#) [H-118-2](#) [D83999/20WC8SN](#) [DB1](#) [1302030464](#) [DC31-14W19PN](#) [DC31-14W19PW](#) [DC31E14-19PX](#) [DC31E14-19PY](#) [DC32-18W32SN](#) [DC36-18-32SW](#) [DC36-18-32SX](#) [DC37-14-19PW](#) [DC37-22-21PX](#) [DC37E14-19PN](#) [DC37E14-19PX](#) [DC37E14-19PY](#) [1302010957](#) [1302263564](#) [1302340393](#) [1404-0016-78](#) [14540](#) [149331-9811](#) [1561-60](#) [1566](#) [1566](#) [17542](#) [HS5659MB98PN](#) [NT20SATT01](#) [201C5058-01-201 REV E](#) [22594-8](#) [KBB-141](#) [915060](#)