

# THRU-HOLE (THM) & SURFACE MOUNT (SMT) COIN CELL HOLDERS

"1/3N" to 16mm COIN CELL HOLDERS


### DESIGN ADVANTAGES...

- Reliable spring tension assures low contact resistance
- Retains battery securely to withstand shock and vibration
- Base material UL Rated 94V-0. Impervious to most industrial solvents
- Operating temperature range: -60°F to +293°F (-50°C to +145°C)

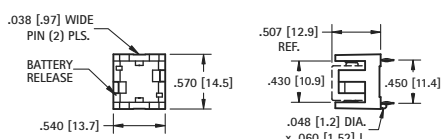
### IDEALLY SUITED FOR...

- Computer memory, power transfer and back-up systems
- Video and telecommunications power back-up
- Microprocessors and Microcomputer memory hold (desktop and laptop applications)
- Industrial and commercial security and alarm systems
- PC/104 application

**"1/3N"**

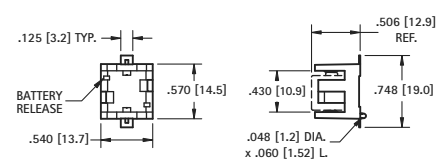


THRU HOLE MOUNT



.038 [9.7] WIDE PIN (2) PLS.  
BATTERY RELEASE  
.570 [14.5]  
.540 [13.7]

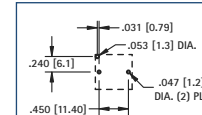
**AVAILABLE ON TAPE AND REEL**



.125 [3.2] TYP.  
BATTERY RELEASE  
.570 [14.5]  
.430 [10.9]  
.506 [12.9] REF.  
.748 [19.0]  
.048 [1.2] DIA. x .060 [1.52] L.

**MATERIAL:**  
Base: High Temperature Nylon 46, UL Rated 94V-0  
Contacts: .012 (.30) Phosphor Bronze, Gold Plate (Flash)

Mounting Detail

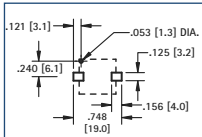


.031 [0.79]  
.053 [1.3] DIA.  
.240 [6.1]  
.450 [11.40]  
.047 [1.2] DIA. (2) PLS

**MATERIAL:**  
Base: High Temperature Nylon 46, UL Rated 94V-0  
Contacts: .012 (.30) Phosphor Bronze, Gold Plate (Flash)


CAT. NO.	CELLS	BATTERY REFERENCE
503	1	DL1/3N, K58L, CR1/3N
	2	SR44, 357, MS76, G-13, 303, V313, PX76A

Pad Layout

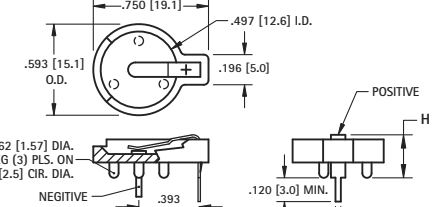


.121 [3.1]  
.053 [1.3] DIA.  
.240 [6.1]  
.748 [19.0]  
.125 [3.2]  
.156 [4.0]

**12mm**

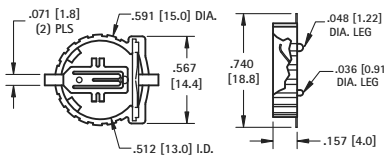


THRU HOLE MOUNT



.750 [19.1]  
.497 [12.6] I.D.  
.593 [15.1] O.D.  
.196 [5.0]  
.062 [1.57] DIA. LEG (3) PLS. ON  
.375 [2.5] CIR. DIA.  
NEGATIVE  
.393 [10.0]

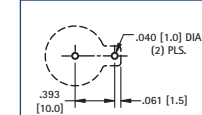
**AVAILABLE ON TAPE AND REEL**



.071 [1.8] (2) PLS.  
.591 [15.0] DIA.  
.567 [14.4]  
.740 [18.8]  
.048 [1.22] DIA. LEG  
.036 [0.91] DIA. LEG  
.512 [13.0] I.D.  
.157 [4.0]

**MATERIAL:**  
Base: PBT, UL Rated 94V-0  
Positive Contact: .015 (.38) Spring Steel, Tin-Nickel Plate  
Negative Contact: .035 (.89) Dia. Steel, Tin-Nickel Plate

Mounting Detail

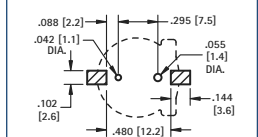


.040 [1.0] DIA (2) PLS.  
.393 [10.0]  
.061 [1.5]

**MATERIAL:**  
Base: Glass Filled PPS, UL Rated 94V-0  
Contacts: .008 (.20) Phosphor Bronze, Gold Plate (Flash)


CAT. NO.	ON TAPE & REEL	CELLS	BATTERY REFERENCE
500	500TR	1	CR1220, BR1220
501	501TR	2	BR1212, CR1216, CL1220, CR1225

Pad Layout

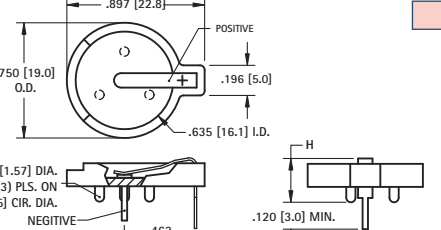


.088 [2.2]  
.042 [1.1] DIA  
.295 [7.5]  
.055 [1.4] DIA  
.102 [2.6]  
.480 [12.2]  
.144 [3.6]

**16mm**

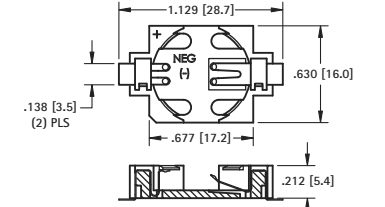


THRU HOLE MOUNT



.897 [22.8]  
.750 [19.0] O.D.  
.196 [5.0]  
.635 [16.1] I.D.  
.062 [1.57] DIA. LEG (3) PLS. ON  
.375 [2.5] CIR. DIA.  
NEGATIVE  
.463 [11.8]

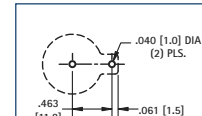
**AVAILABLE ON TAPE AND REEL**



1.129 [28.7]  
.138 [3.5] (2) PLS  
.677 [17.2]  
.630 [16.0]  
.212 [5.4]

**MATERIAL:**  
Base: PBT, UL Rated 94V-0  
Positive Contact: .015 (.38) Spring Steel, Tin-Nickel Plate  
Negative Contact: .035 (.89) Dia. Steel, Tin-Nickel Plate

Mounting Detail

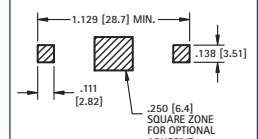


.040 [1.0] DIA (2) PLS.  
.463 [11.8]  
.061 [1.5]

**MATERIAL:**  
Base: Glass Filled LCP, UL Rated 94V-0  
Contacts: .006 (.15) Phosphor Bronze, Gold Plate (Flash)


CAT. NO.	ON TAPE & REEL	CELLS	BATTERY REFERENCE
502	502TR	1	CR1612, CL1616, CL1620
502-3	502TR	1	BR1625, CR1632
		2	BR1616, CR1620, CL1620

Pad Layout

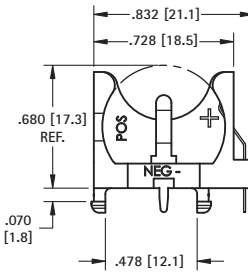


1.129 [28.7] MIN.  
.138 [3.51]  
.111 [2.82]  
.250 [6.4] SQUARE ZONE FOR OPTIONAL ADHESIVE

**16mm VERTICAL**

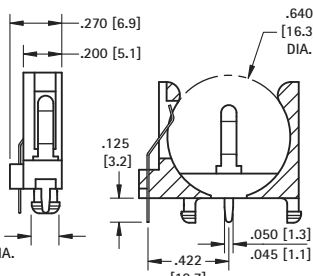


THRU HOLE MOUNT



.832 [21.1]  
.728 [18.5]  
.680 [17.3] REF.  
.070 [1.8]  
.478 [12.1]  
.145 [3.7] DIA.  
.270 [6.9]  
.200 [5.1]  
.640 [16.3] DIA.  
.125 [3.2]  
.422 [10.7]  
.050 [1.3]  
.045 [1.1]

**AVAILABLE ON TAPE AND REEL**




1.129 [28.7] MIN.  
.138 [3.51]  
.111 [2.82]  
.250 [6.4] SQUARE ZONE FOR OPTIONAL ADHESIVE

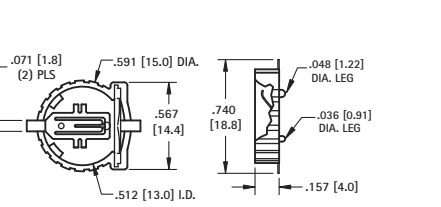
**MATERIAL:**  
Base: PBT, UL Rated 94V-0  
Contacts: .010 (.25) Steel, Tin-Nickel Plate  
Battery Reference: (1) cell: BR1612, CR1616, CL1620, CR1625, BR1632

**CAT. NO. 1069**

**16mm**

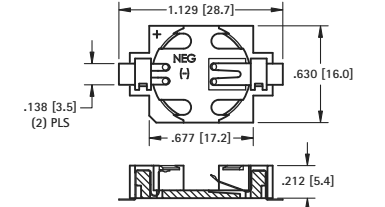


THRU HOLE MOUNT



.750 [19.0] O.D.  
.196 [5.0]  
.635 [16.1] I.D.  
.062 [1.57] DIA. LEG (3) PLS. ON  
.375 [2.5] CIR. DIA.  
NEGATIVE  
.463 [11.8]

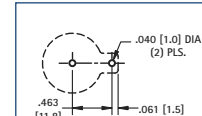
**AVAILABLE ON TAPE AND REEL**



1.129 [28.7]  
.138 [3.5] (2) PLS  
.677 [17.2]  
.630 [16.0]  
.212 [5.4]

**MATERIAL:**  
Base: PBT, UL Rated 94V-0  
Positive Contact: .015 (.38) Spring Steel, Tin-Nickel Plate  
Negative Contact: .035 (.89) Dia. Steel, Tin-Nickel Plate

Mounting Detail

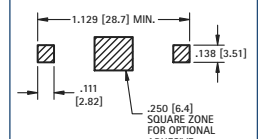


.040 [1.0] DIA (2) PLS.  
.463 [11.8]  
.061 [1.5]

**MATERIAL:**  
Base: Glass Filled LCP, UL Rated 94V-0  
Contacts: .006 (.15) Phosphor Bronze, Gold Plate (Flash)


CAT. NO.	ON TAPE & REEL	CELLS	BATTERY REFERENCE
504	504TR	1	BR1625, CR1625

Pad Layout

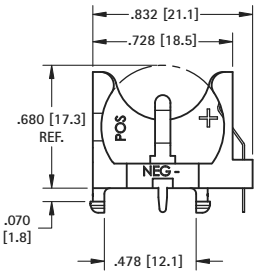


1.129 [28.7] MIN.  
.138 [3.51]  
.111 [2.82]  
.250 [6.4] SQUARE ZONE FOR OPTIONAL ADHESIVE

**16mm VERTICAL**

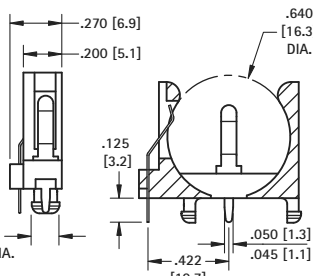


THRU HOLE MOUNT



.832 [21.1]  
.728 [18.5]  
.680 [17.3] REF.  
.070 [1.8]  
.478 [12.1]  
.145 [3.7] DIA.  
.270 [6.9]  
.200 [5.1]  
.640 [16.3] DIA.  
.125 [3.2]  
.422 [10.7]  
.050 [1.3]  
.045 [1.1]

**AVAILABLE ON TAPE AND REEL**



1.129 [28.7] MIN.  
.138 [3.51]  
.111 [2.82]  
.250 [6.4] SQUARE ZONE FOR OPTIONAL ADHESIVE

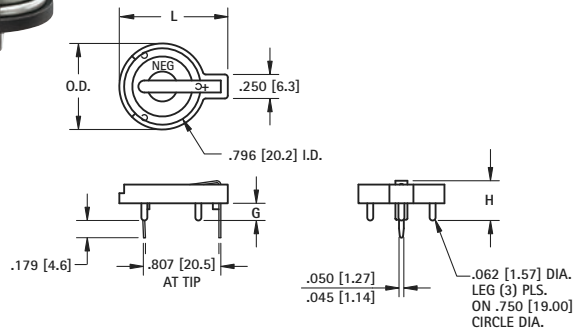
**MATERIAL:**  
Base: PBT, UL Rated 94V-0  
Contacts: .010 (.25) Steel, Tin-Nickel Plate  
Battery Reference: (1) cell: BR1612, CR1616, CL1620, CR1625, BR1632

**CAT. NO. 1069**

## 20mm THRU-HOLE MOUNT COIN CELL HOLDERS



- Advanced air-flow design enhances air circulation around battery
- Reliable spring tension assures low contact resistance
- Unique notched slots assure quick and easy battery insertion and replacement
- Retains battery securely to withstand shock and vibration
- PBT base material UL rated 94V-0. Impervious to most industrial solvents
- Operating temperature range:  
-60°F to +293°F (-50°C to +145°C)

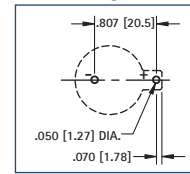


- **Cat. No. 101** is designed to maximize PC Board Capacity
- Unique raised mounting design allows components to be placed underneath the holder
- Ideal when board space is more important than board height; such as PC/104 applicatons

**MATERIAL:**  
Contacts: .020 (.50) Spring Steel, Tin-Nickel Plate  
Base: PBT, UL Rated 94V-0

CAT. NO.	G	H	L	O.D.	NO. OF CELLS	BATTERY REFERENCE
103	.100 (2.5)	.335 (8.5)	1.130 (28.7)	.896 (22.8)	(1) cell (any 20mm) (2) 2012, (2) 2016	BR2012, CR2012, CR2016, CL2016, DL2020, CL2025, BR2025, CR2032, CL2032
101	.179 (4.6)	.414 (10.5)	1.130 (28.7)	.896 (22.8)	(1) cell (any 20mm) (2) 2012, (2) 2016	BR2012, CR2012, CR2016, CL2016, DL2020, CL2025, BR2025, CR2032, CL2032
106	.100 (2.5)	.335 (8.5)	1.219 (31.0)	1.093 (27.8)	(1) cell (any 20mm) (2) 2012, (2) 2016	BR2012, CR2012, CR2016, CL2016, DL2020, CL2025, BR2025, CR2032, CL2032
1026	.100 (2.5)	.452 (11.5)	1.219 (31.0)	1.093 (27.8)	(2) 2020, (2) 2025, (2) 2032	DL2020, CR2020, CL2025, BR2025, CR2032, CL2032

Mounting Detail

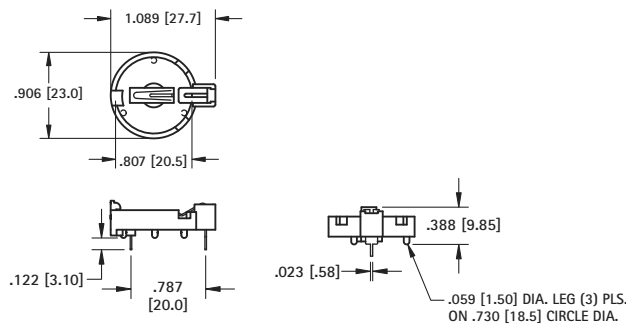


- Battery "Pop-in" from top for compact applications
- Finger pressure against lever will release battery
- No tools required for battery changes

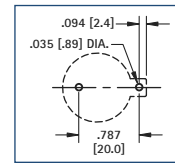
**MATERIAL:**  
Contacts: .012 (.30) Phosphor Bronze, Tin Plate  
Base: Nylon UL Rated 94V-0

CAT. NO.	BATTERY REFERENCE
1066	BR2025, CR2032

TOP LOADING



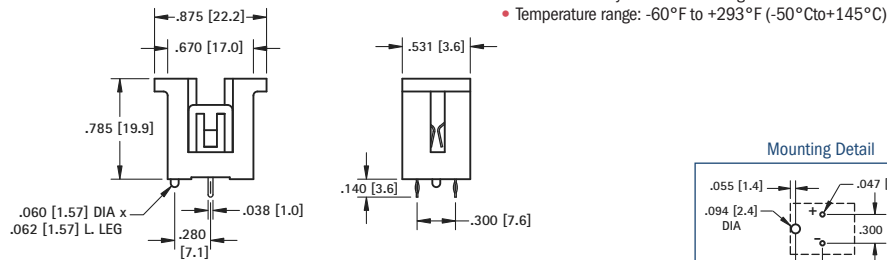
Mounting Detail



**MATERIAL:**  
Contacts: .012 (.30) Spring Steel, Tin-Nickel Plate  
Base: PBT, UL Rated 94V-0

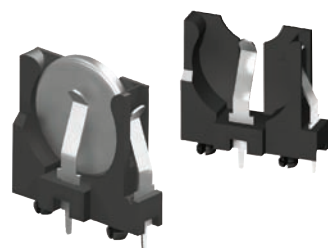
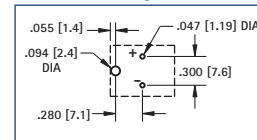
CAT. NO.	BATTERY REFERENCE
1067	CR2016, DL2020, CL2025, CR2032

VERTICAL COMPACT



- Accepts all major manufacturers' 20mm diameter batteries
- Molded notch prevents improper insertion of 2032 size cells
- Retains cells securely, withstands shock and vibration
- Polarity clearly marked
- Mounts securely for wave soldering
- Temperature range: -60°F to +293°F (-50°C to +145°C)

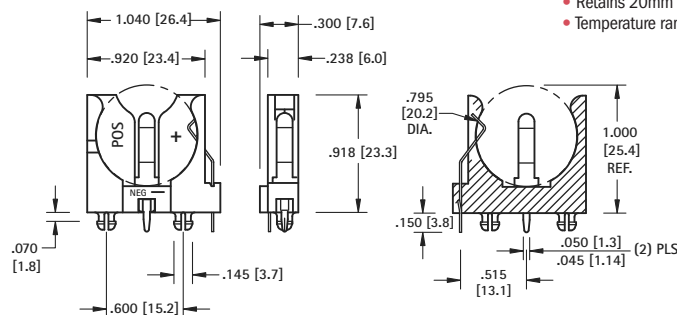
Mounting Detail



**MATERIAL:**  
Contacts: .012 (.30) Spring Steel, Tin-Nickel Plate  
Base: PBT, UL Rated 94V-0

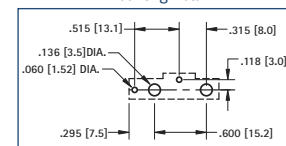
CAT. NO.	BATTERY REFERENCE
1065	BR2012, CR2016, DL2020, CL2025, CR2032

VERTICAL SLIMLINE



- Polarized holder
- Mounts securely for wave soldering
- Reliable spring tension assures low contact resistance
- Retains 20mm batteries securely to withstand shock and vibration
- Temperature range -60°F to +293°F (-50°C to +145°C)

Mounting Detail



## THRU-HOLE (THM) & SURFACE MOUNT (SMT) COIN CELL HOLDERS

### DESIGN ADVANTAGES...

- Reliable spring tension assures low contact resistance
- Retains battery securely to withstand shock and vibration
- All conductive polystyrene carrier tape meets ANSI/EIA - 481 standard

- Base material UL Rated 94V-0. Impervious to most industrial solvents
- Operating temperature range: -60°F to +293°F (-50°C to +145°C)

### IDEALLY SUITED FOR...

- Computer memory, power transfer and back-up systems
- Video and telecommunications power back-up
- Microprocessors and Microcomputer memory hold (desktop and laptop applications)

- Industrial and commercial security and alarm systems
- Communications power sources
- PC/104 applications

### 20mm CELLS



- Polarity clearly marked (+)
- Compatible with vacuum and mechanical pick & place assembly systems
- Low profile for high density packaging
- Rugged construction, light weight
- SMT solder tail with "Flow-Hole" design for increased joint strength
- Viewable solder tails assures reliable joint inspection
- Safe for all soldering & reflow operations

### MATERIAL:

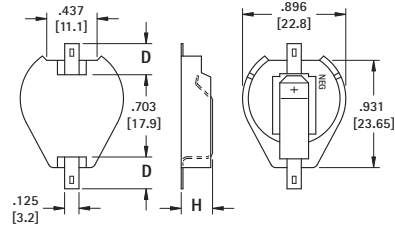
Contacts: .015 (.38) Spring Steel

Base: High Temperature, Nylon 46, UL Rated 94V-0

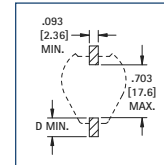
Tin-Nickel Plate		Gold Plate (Flash)		D PAD SIZE	H HEIGHT	CELLS	BATTERY REFERENCE
CAT. NO. BULK	ON TAPE & REEL	CAT. NO. BULK	ON TAPE & REEL				
1061	1061TR	1081	1081TR	.156 (4.0)	.290 (7.4)	(1) Cell (any 20mm)	CR2012, CL2016, BR2020, DL2032 CR2032
1063	1063TR	1093	1093TR	.278 (7.1)		(2) 2012, (2) 2016	
1062	1062TR	1082	1082TR	.156 (4.0)	.391 (9.9)	(2) 2020, (2) 2025, (2) 2032	
1064	1064TR	1094	1094TR	.278 (7.1)		(3) 2012, (3) 2016	

Tape & Reel Spec's: 44mm wide; 32mm pitch; 13 inch reel (200 pieces per reel)

### AVAILABLE ON TAPE AND REEL

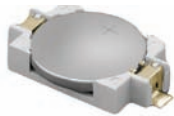


### Pad Layout



### AVAILABLE ON TAPE AND REEL

### 2025 / 2032 CELL



Surface Mount

- Polarized Holder
- Low Profile for high density packaged PCB's

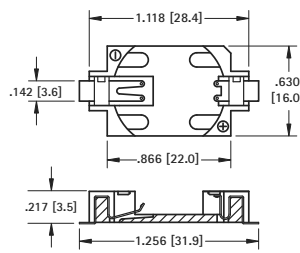
### MATERIAL:

Contacts: .006 (.15) Phosphor Bronze, Gold Plate (Flash)

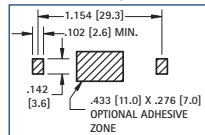
Base: Glass Filled LCP, UL Rated 94V-0

CAT. NO. BULK	ON TAPE & REEL	BATTERY REFERENCE
1060	1060TR	CR2025, DL2032

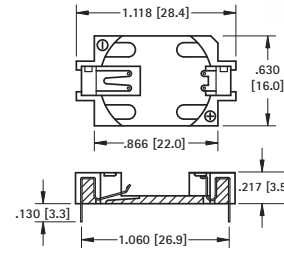
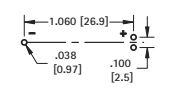
Tape & Reel Spec's: 44mm wide; 24mm pitch; 13 inch reel (500 pieces per reel)



### Pad Layout



### Mounting Detail



Thru Hole Mount

- Compatible with vacuum and mechanical pick & place assembly systems
- Low height
- Vertical entry

### MATERIAL:

Contacts: .006 (.15) Phosphor Bronze, Tin Plate  
Base: Glass Filled LCP, UL Rated 94V-0

CAT. NO.	BATTERY REFERENCE
1059	CR2025, DL2032

## INSULATED RETAINERS

### AVAILABLE ON TAPE AND REEL

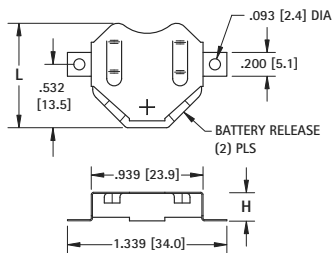
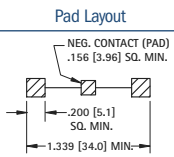
### 20mm CELLS

- Ideal for 6 volt or 3 volt applications
- Two coin cell batteries can be installed in series
- Plastic insulator prevents shorting of battery, within the holder, when installed improperly
- Low profile
- Battery release ports for easy battery replacement
- Refer to pages 6 & 7 for a complete offering of coin cell retainers

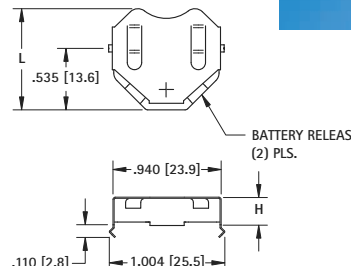
MATERIAL: Contacts: .010 (.25) Phosphor Bronze Insulator: High Temperature, Nylon 46, UL Rated 94V-0



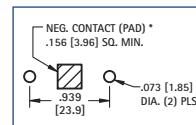
Surface Mount



Thru Hole Mount



### Mounting Detail



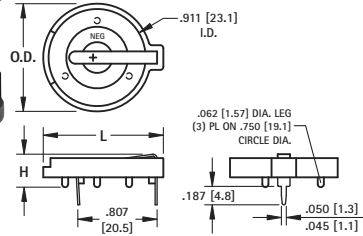
Surface Mount						BATTERY REFERENCE				Thru Hole Mount			
Tin-Nickel Plate			Matte Tin Plate			6 VOLT (2) CELLS		3 VOLT (1) CELL		Tin-Nickel Plate			
CAT. NO. LOOSE*	CAT. NO. BULK	ON TAPE & REEL	CAT. NO. LOOSE*	CAT. NO. BULK	ON TAPE & REEL	L	H	L	H	CAT. NO. LOOSE*	CAT. NO. BULK		
3020-2	3020	3020TR	3070-2	3070	3070TR	.890 (22.6)	.156 (4.0)	2012, 2016	2020, 2025	.890 (22.6)	.156 (4.0)	3021-2	3021
3022-2	3022	3022TR	3072-2	3072	3072TR	.877 (22.3)	.240 (6.1)	2020, 2025	2032	.877 (22.3)	.240 (6.1)	3023-2	3023
3024-2	3024	3024TR	3074-2	3074	3074TR	.877 (22.3)	.295 (7.5)	2032	Not Applicable	.877 (22.3)	.295 (7.5)	3025-2	3025

\* Supplied Unassembled

Tape & Reel Spec's: 56mm wide; 28mm pitch; 13 inch reel: 3020TR, 3070TR 400 pieces per reel; 3022TR, 3072TR 250 pieces per reel; 3024TR, 3074TR 250 pieces per reel

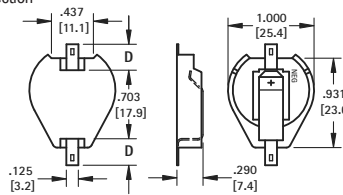
# THRU-HOLE (THM) & SURFACE MOUNT (SMT) COIN CELL HOLDERS

## 23mm

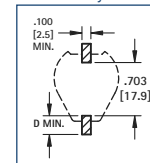


- Polarity clearly marked (+)
- Rugged construction, light weight
- SMT solder tail with "Flow-Hole" design for increased joint strength
- Viewable solder tails assures reliable joint inspection
- Safe for all soldering & reflow operations
- Compatible with vacuum and mechanical pick & place assembly systems

AVAILABLE ON TAPE AND REEL



Surface Mount



### MATERIAL:

**Contacts:** .020 (.50) Spring Steel, Tin-Nickel Plate

**Base:** PBT, UL Rated 94V-0

**Operating Temperature:** -60°F to +293°F (-50°C to +145°C)

CAT. NO.	H	L	O.D.	NO. OF CELLS	BATTERY REFERENCE
104	.335 (8.5)	1.150 (29.2)	1.000 (25.4)	(1) Cell (Any 23mm)	BR2320, CR2320,
107	.335 (8.5)	1.219 (31.0)	1.093 (27.8)	(1) Cell (Any 23mm)	CL2325, DL2330,
1027	.452 (11.5)	1.219 (31.0)	1.093 (27.8)	(2) 2320, (2) 2325, (2) 2330	CL2354, CR2335

### MATERIAL:

**Contacts:** .015 (.38) Spring Steel

**Base:** High Temp Nylon 46, UL Rated 94V-0

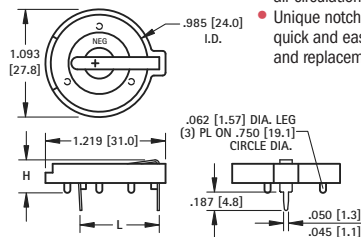
**Operating Temperature:** -60°F to +293°F (-50°C to +145°C)

Tin-Nickel Plate		Gold Plate (Flash)		D PAD SIZE	BATTERY REFERENCE
CAT. NO. BULK & REEL	ON TAPE & REEL	CAT. NO. BULK & REEL	ON TAPE & REEL		
1071	1071TR	1091	1091TR	.156 (4.0)	CR2320, CL2325,
1073	1073TR	1083	1083TR	.278 (7.1)	DL2330, CR2335

**Tape & Reel Spec's:** 44mm wide; 32mm pitch; 13 inch reel, (200 pieces per reel)

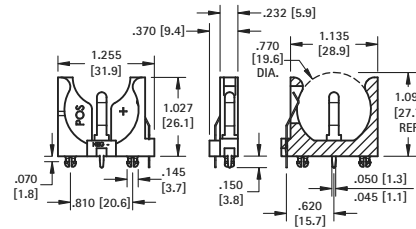
Note: All conductive polystyrene carrier tape meets ANSI/EIA - 481 standard

## 24mm



- Advanced air-flow design enhances air circulation around battery
- Unique notched slots assure quick and easy battery insertion and replacement

- Polarized holder
- Mounts securely for wave soldering
- Reliable spring tension assures low contact resistance



Thru Hole Mount

### MATERIAL:

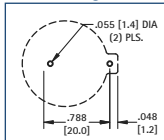
**Base:** PBT, UL Rated 94V-0

**Contacts:** .020 (.50) Spring Steel, Tin-Nickel Plate

**Operating Temperature:** -60°F to +293°F (-50°C to +145°C)

CAT. NO.	C	H	L	NO. OF CELLS	BATTERY REFERENCE
105	.064 (1.6)	.335 (8.5)	1.219 (31.0)	(1) 2430	CR2430, CL2430,
1025	.064 (1.6)	.452 (11.5)	1.219 (31.0)	(1) 2450, (2) 2430	BR2450, CR2477
1025-7	.064 (1.6)	.503 (12.8)	1.219 (31.0)	(1) 2477, (2) 2430	

### Mounting Detail



### MATERIAL:

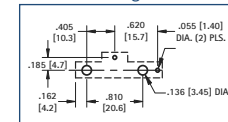
**Base:** PBT, UL Rated 94V-0

**Contacts:** .020 (.50) Spring Steel, Tin-Nickel Plate

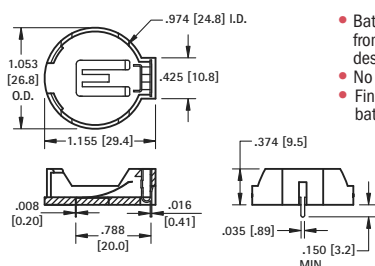
**Operating Temperature:** -60°F to +293°F (-50°C to +145°C)

CAT. NO.	BATTERY REFERENCE
1068	(1) CR2450, (1) CL2450

### Mounting Detail



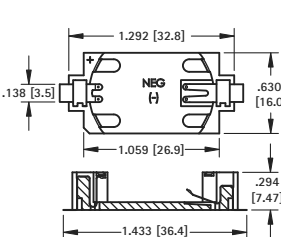
## 24mm TOP LOADING



- Battery "Pop-in" from top for compact designs
- No tools required
- Finger pressure battery release

AVAILABLE ON TAPE AND REEL

- Polarized holder
- Low profile for densely packed PCB's
- Compatible with vacuum and mechanical pick & place systems
- Conductive carrier tape meets ANSA/EIA- 481 standard



Surface Mount

### MATERIAL:

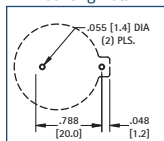
**Contacts:** Phosphor Bronze, Nickel Plate

**Base:** PBT, UL Rated 94V-0

**Operating Temperature:** -60°F to +293°F (-50°C to +145°C)

CAT. NO.	BATTERY REFERENCE
1053	(1) CR2450

### Mounting Detail



### MATERIAL:

**Base:** PBT, UL Rated 94V-0

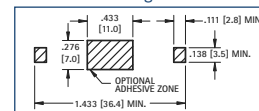
**Contacts:** .006 (.15) Phosphor Bronze, Gold Plate (Flash)

**Operating Temperature:** -60°F to +293°F (-50°C to +145°C)

CAT. NO. BULK & REEL	ON TAPE & REEL	BATTERY REFERENCE
1052	1052TR	(1) CR2450

**Tape & Reel Spec's:** 56mm wide; 24mm pitch; 13 inch reel, (250 pieces per reel)

### Mounting Detail

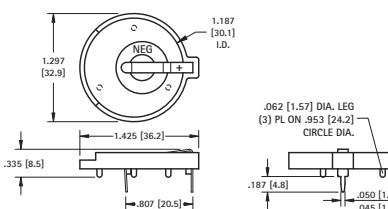


## 30mm

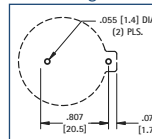


**MATERIAL:**  
**Contacts:** .020 (.50) Spring Steel, Tin-Nickel Plate  
**Base:** PBT, UL Rated 94V-0  
**Operating Temperature:** -60°F to +293°F (-50°C to +145°C)

CAT. NO.	BATTERY REFERENCE
301	BR3032



### Mounting Detail



## X-ON Electronics

Largest Supplier of Electrical and Electronic Components

*Click to view similar products for [Coin Cell Battery Holders](#) category:*

*Click to view products by [Keystone](#) manufacturer:*

Other Similar products are found below :

[PDSN-11-D](#) [1058](#) [1052](#) [799-2007](#) [BH44AAB](#) [BH48DL](#) [BH8000](#) [BS-6-1](#) [79573231](#) [101](#) [3035](#) [1025](#) [1026](#) [1027](#) [103](#) [1059](#) [1060](#) [1063](#)  
[1065](#) [D3](#) [46400000](#) [BC-0403](#) [BH-121-1B](#) [BH-1/2AA-2A](#) [BH-131A](#) [BH-3101A](#) [BH-3103B](#) [BH-311-1A](#) [BH-311-1D](#) [BH-321-1A](#) [BH-321-](#)  
[1B](#) [BH-321-1D](#) [BH-331-3D](#) [BH-331P](#) [BH-333A](#) [BH-341-1P](#) [BH-351A](#) [BH-362B](#) [BH-383A](#) [BH-421A](#) [BH-422A](#) [BH-425A](#) [BH-431-1B](#)  
[BH-463A](#) [BH-511A](#) [BHC-18650-1P](#) [46300000](#) [46600000](#) [799-2001](#) [SBH-331A](#)