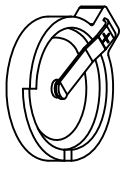
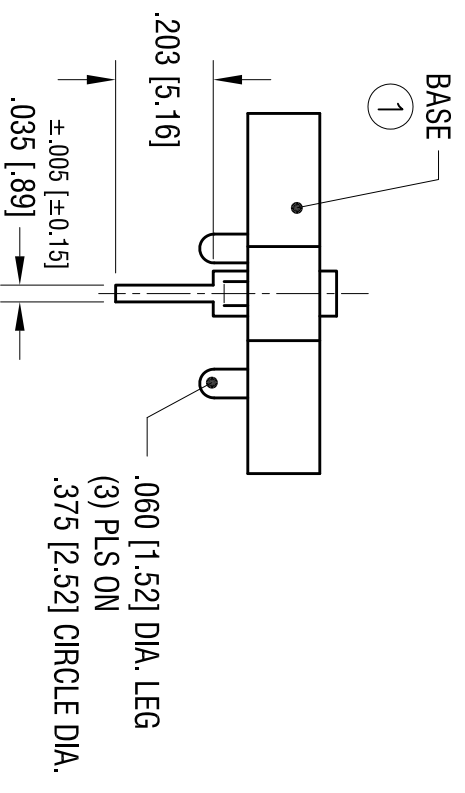
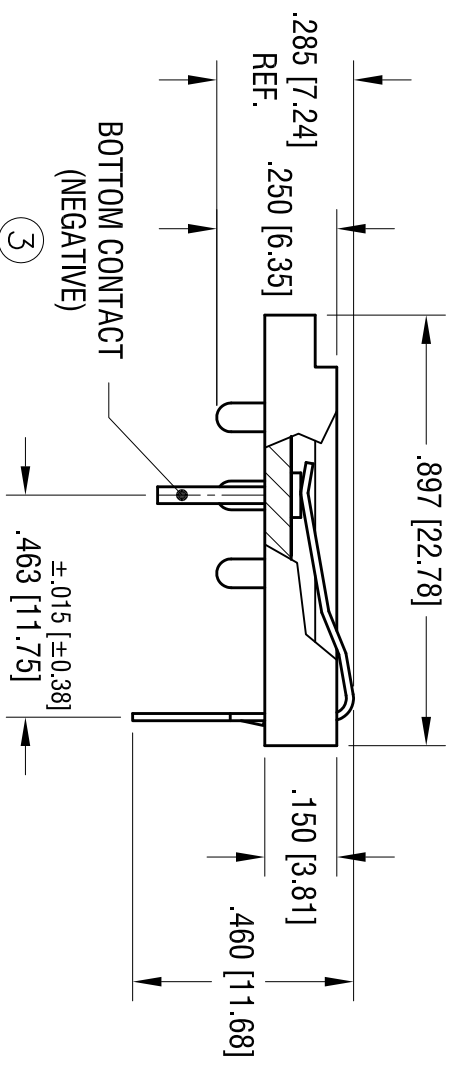
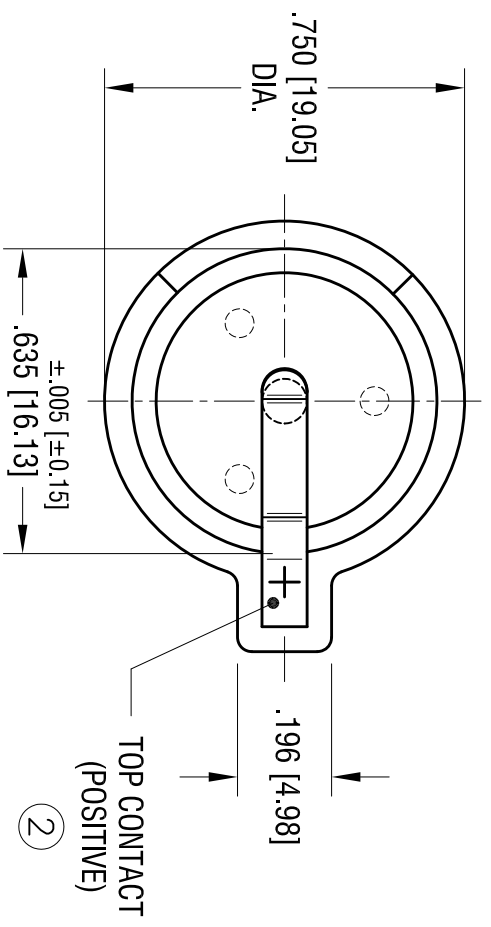
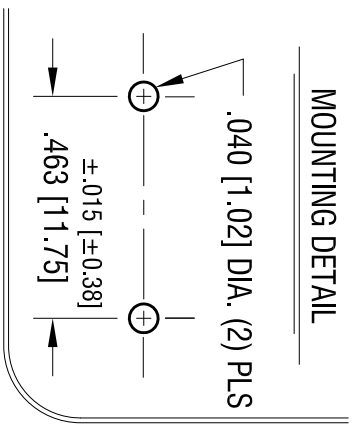


DATE	DESCRIPTION	REV.
2.9.05	CHANGE AS PER ECN 05-014	E
11.02.11	CHANGE AS PER ECN 11-143	F



ITEM	DESCRIPTION/MATERIAL	FINISH
①	BASE, BLACK PBT (UL 94V-0)	
②	TOP CONTACT .015 [0.38] THK SPRING STEEL	TIN NICKEL PLATE
③	BOTTOM CONTACT .035 [0.89] DIA. STEEL	TIN NICKEL PLATE

<b>KEYSTONE ELECTRONICS CORP.</b>			
www.keystone.com • NEW HYDE PARK, NY 11040 • Tel (516) 328-7500			
PART NAME 16mm PC BATTERY HOLDER			
MATERIAL AS NOTED			
FINISH AS NOTED			
TOLERANCES	INCH	[MM]	CODE
DECIMAL	± .010	[ ± .025 ]	C
ANGULAR	± 1°		
UNLESS OTHERWISE SPECIFIED			
DRN BY	BOONE	DATE	1.4.91
APP'D		SCALE	2.5X
		DWG NO.	502

THIS DOCUMENT IS THE PROPERTY OF KEYSTONE ELECTRONICS CORP. AND SHALL NOT BE REPRODUCED, DISTRIBUTED OR USED AS A BASIS FOR MANUFACTURE WITHOUT PRIOR WRITTEN PERMISSION FROM KEYSTONE ELECTRONICS CORP.

## X-ON Electronics

Largest Supplier of Electrical and Electronic Components

*Click to view similar products for [Coin Cell Battery Holders](#) category:*

*Click to view products by [Keystone](#) manufacturer:*

Other Similar products are found below :

[SMTU2450N-LF](#) [PDSN-11-D](#) [1058](#) [1052](#) [799-2007](#) [BH44AAB](#) [BH48DL](#) [BH8000](#) [BS-6-1](#) [79573231](#) [101](#) [3035](#) [1025](#) [1026](#) [1027](#) [103](#)  
[1059](#) [1060](#) [1063](#) [1065](#) [D3](#) [46400000](#) [BC-0403](#) [BH-121-1B](#) [BH-1/2AA-2A](#) [BH-131A](#) [BH-3101A](#) [BH-3103B](#) [BH-311-1A](#) [BH-311-1D](#) [BH-](#)  
[321-1A](#) [BH-321-1B](#) [BH-321-1D](#) [BH-331-3D](#) [BH-331P](#) [BH-333A](#) [BH-341-1P](#) [BH-351A](#) [BH-362B](#) [BH-421A](#) [BH-422A](#) [BH-425A](#) [BH-](#)  
[431-1B](#) [BH-463A](#) [BH-511A](#) [BHC-18650-1P](#) [46300000](#) [46600000](#) [799-2001](#) [SBH-331A](#)