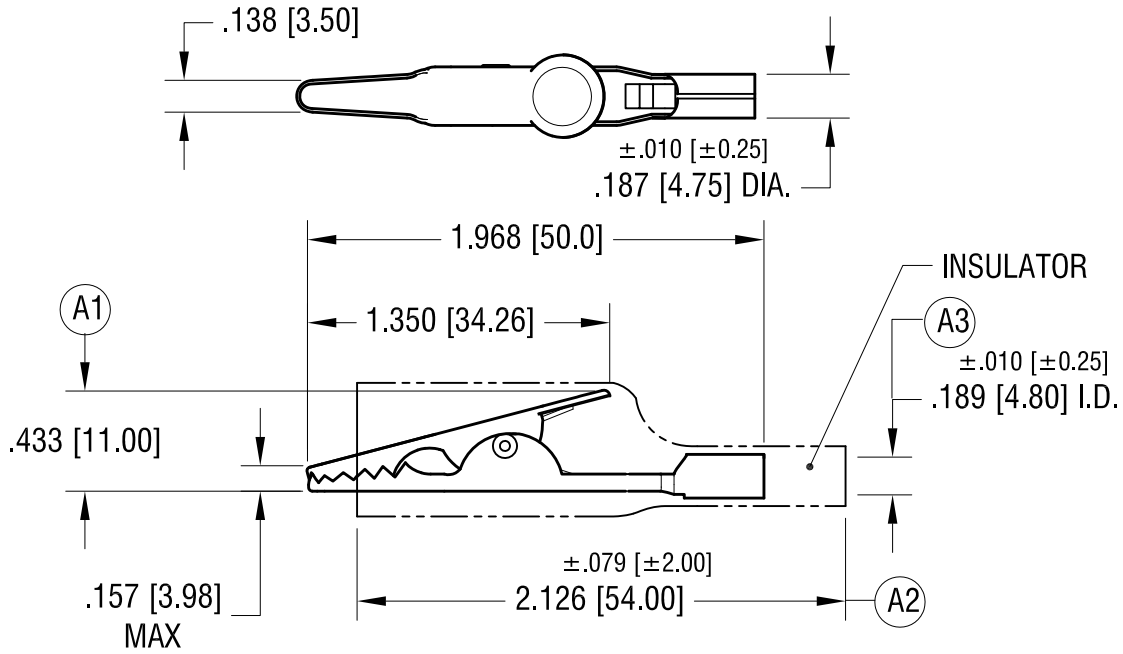
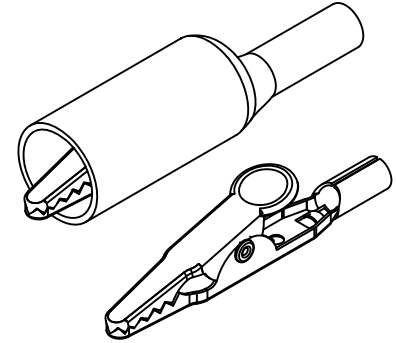


THIS DOCUMENT IS THE PROPERTY OF KEYSTONE ELECTRONICS CORP. AND SHALL NOT BE REPRODUCED, DISTRIBUTED OR USED AS A BASIS FOR MANUFACTURE WITHOUT PRIOR WRITTEN PERMISSION FROM KEYSTONE ELECTRONICS CORP.

ACTUAL SIZE



PART NO.	COLOR, PVC INSULATOR	(A4)
5044	NO INSULATOR	
5045	RED	
5046	BLACK	

3.13.15 | (A1) WAS .445, (A2) WAS 2.20
 (A3) WAS .200, (A4) WAS VINYL
 CHANGE AS PER ECN 15-029

KEYSTONE ELECTRONICS CORP.
 www.keyelco.com • ASTORIA, N.Y. 11105-2017 • Tel (718) 956-8900

PART NAME		LARGE ALLIGATOR CLIP	
MATERIAL		STEEL	
FINISH	DRN BY	DATE	
NICKEL PLATE	NT	10.30.08	
	APP'D	SCALE	
		1.2X	
TOLERANCES	INCH [MM]	CODE	DWG NO.
DECIMAL	$\pm .020 [\pm 0.50]$	C	5044-5046
ANGULAR	$\pm 1^\circ$		
UNLESS OTHERWISE SPECIFIED			

DATE	DESCRIPTION	REV.	A
------	-------------	------	---

X-ON Electronics

Largest Supplier of Electrical and Electronic Components

Click to view similar products for [Test Clips](#) category:

Click to view products by [Keystone](#) manufacturer:

Other Similar products are found below :

[010000](#) [923743-16](#) [923850-C](#) [BU-656-0](#) [923738-28](#) [4140A](#) [4324A](#) [TL820](#) [TL822](#) [5116](#) [5450](#) [5216](#) [5252](#) [5454](#) [5694](#) [923700](#) [923698](#)
[CR0060](#) [3038](#) [927739-20](#) [923743-14](#) [923743-40](#) [932146101](#) [930318100](#) [930126101](#) [Z-SB3FA3250AAAB04001](#) [Z-S11F0107G1000](#) [Z-S11F0207B1520](#) [Z-S11F0207B2030](#) [Z-S11F0207B15000](#) [Z-SB3FA3226AAAB11001](#) [Z-S11F0207B1010](#) [923706](#) [930317800](#) [973889100](#)
[972405100](#) [972405101](#) [923714](#) [R999720600](#) [949-1](#) [458-3](#) [SK 201200278 020](#) [BU-65-B](#) [BU-21CPN-GZZZ](#) [PK-HVA-02](#) [BU-25C-DZZZ](#)
[BU-142-2](#) [SAK 6675 NI / GNGE](#) [AK 7002 SN / GE](#) [AK 7002 SN / GN](#)