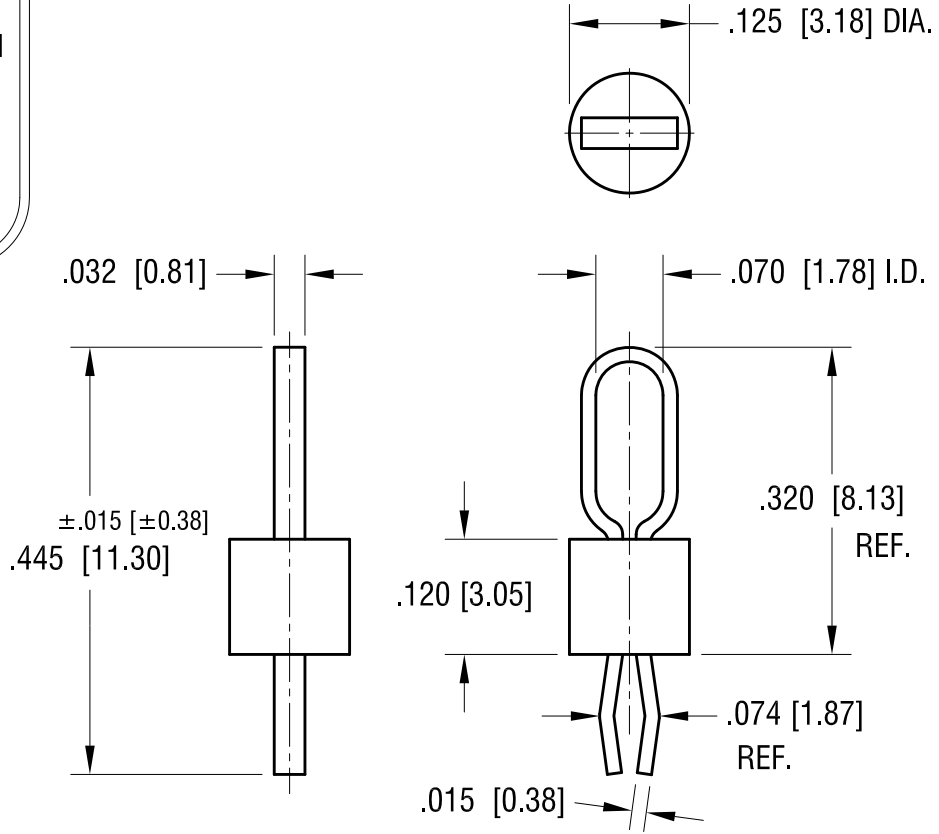
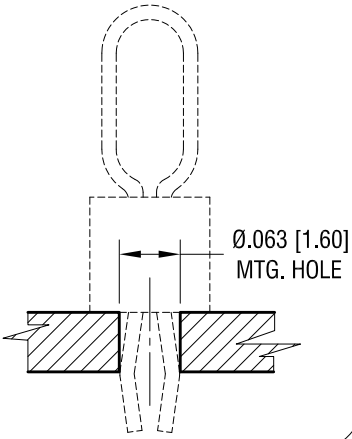


THIS DOCUMENT IS THE PROPERTY OF KEYSTONE ELECTRONICS CORP. AND SHALL NOT BE REPRODUCED, DISTRIBUTED OR USED AS A BASIS FOR MANUFACTURE WITHOUT PRIOR WRITTEN PERMISSION FROM KEYSTONE ELECTRONICS CORP.

ACTUAL SIZE



MTG. DETAIL



NOTES:

1. TERMINAL:  
MAT'L - PHOSPHOR BRONZE WIRE
2. BASE:  
MAT'L - HEAT RESISTANT NYLON 46

| PART NO. | BASE COLOR |
|----------|------------|
| 5125     | BROWN      |
| 5126     | GREEN      |
| 5127     | BLUE       |
| 5128     | GREY       |
| 5129     | PURPLE     |

| DATE     | DESCRIPTION              | REV. |
|----------|--------------------------|------|
| 12.30.13 | CHANGE AS PER ECN 13-123 | D    |
| 1.31.13  | CHANGE AS PER ECN 13-014 | C    |
| 1.29.13  | CHANGE AS PER ECN 13-009 | B    |
| 12.14.10 | CHANGE AS PER ECN 10-086 | A    |

|   |                                      |              |                      |
|---|--------------------------------------|--------------|----------------------|
| <b>KEYSTONE ELECTRONICS CORP.</b>                               |                                      |              |                      |
| www.keyelco.com • ASTORIA, N.Y. 11105-2017 • Tel (718) 956-8900 |                                      |              |                      |
| PART NAME<br>PC TEST POINT - MULTIPURPOSE                       |                                      |              |                      |
| MATERIAL<br>AS NOTED  |                                      |              |                      |
| FINISH<br>SILVER PLATE  |                                      | DRN BY<br>NT | DATE<br>4.22.08      |
|   |                                      | APP'D        | SCALE<br>5X          |
| TOLERANCES<br>DECIMAL<br>ANGULAR                                | INCH [MM]<br>± .005 [± 0.13]<br>± 1° | CODE<br>C    | DWG NO.<br>5125-5129 |
| UNLESS OTHERWISE SPECIFIED                                      |                                      |              |                      |

## X-ON Electronics

Largest Supplier of Electrical and Electronic Components

*Click to view similar products for [Circuit Board Hardware - PCB category](#):*

*Click to view products by [Keystone manufacturer](#):*

Other Similar products are found below :

[8919-0-00-15-00-00-03-0](#) [0135-0-15-01-30-27-04-0](#) [5970-1-15-01-32-14-04-0](#) [0149-0-15-15-30-27-04-0](#) [MBI 1 BLUE](#) [7305-0-15-15-47-14-10-0](#) [MLN 150/1 BLACK](#) [8579-0-15-80-11-27-10-0](#) [8579-1-15-15-11-27-10-0](#) [8830-0-15-01-22-14-10-0](#) [8836-0-00-21-00-00-03-0](#) [PRUEF 2 RED](#) [9976-0-00-00-00-00-03-0](#) [PW1616](#) [1215-3-05-00-00-00-01-0](#) [1231](#) [1303-0-15-15-47-14-04-0](#) [1404-3](#) [1404-4](#) [1406-4](#) [1407-3](#) [1406-3](#) [1407-4](#) [1408-3](#) [1424-4](#) [1427-3](#) [1419-4](#) [1426-4](#) [1548-103](#) [1938-0-00-00-00-00-03-0](#) [1942-0-00-00-00-00-03-0](#) [2101-3-00-44-00-00-07-0](#) [2108-2-00-50-00-00-07-0](#) [2109-2-00-44-00-00-07-0](#) [2110-2-00-44-00-00-07-0](#) [2111-2-00-00-00-00-07-0](#) [2113-4-00-44-00-00-07-0](#) [2301-3-00-44-00-00-07-0](#) [2308-1-00-50-00-00-07-0](#) [2313-2-00-00-00-00-07-0](#) [2315-2-01-44-00-00-07-0](#) [2333-1-00-50-00-00-07-0](#) [9000-0-00-00-00-00-03-0](#) [2506-2-00-50-00-00-07-0](#) [2507-2-01-44-00-00-07-0](#) [2508-2-00-44-00-00-07-0](#) [2561-2-00-44-00-00-07-0](#) [9220](#) [9234-0-15-15-30-14-10-0](#) [LAS S G BLACK](#)