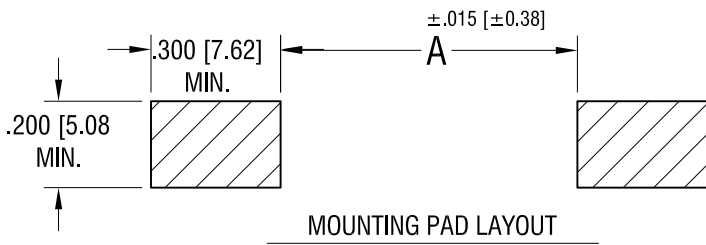
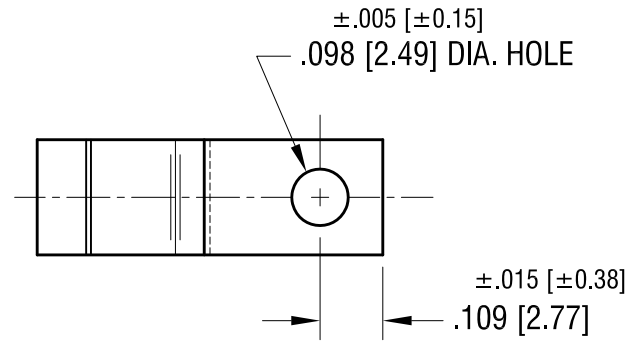
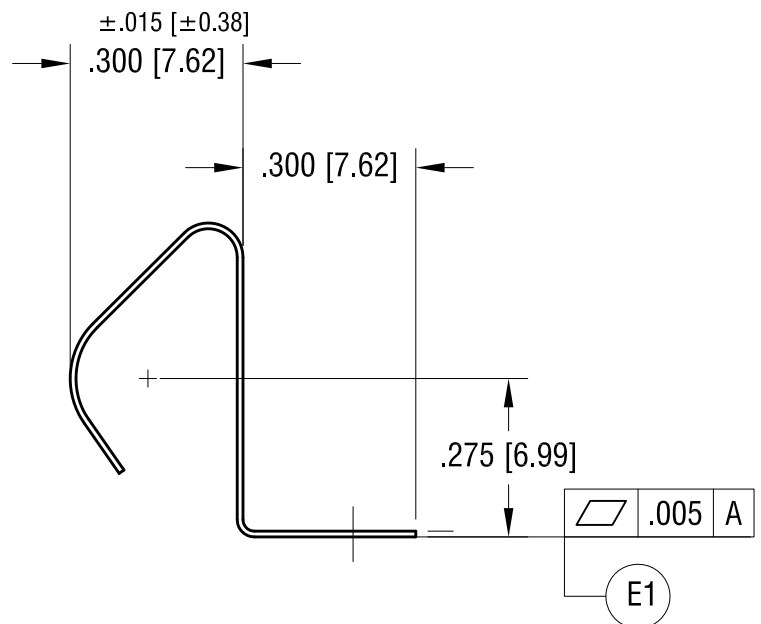
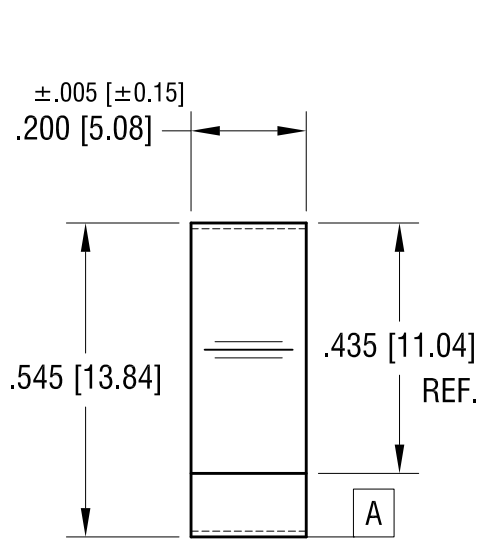
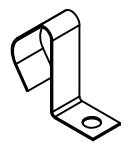


THIS DOCUMENT IS THE PROPERTY OF KEYSTONE ELECTRONICS CORP. AND SHALL NOT BE REPRODUCED, DISTRIBUTED OR USED AS A BASIS FOR MANUFACTURE WITHOUT PRIOR WRITTEN PERMISSION FROM KEYSTONE ELECTRONICS CORP.



| FOR BATTERY SIZE: | 'A' DIM. |
|-------------------|---------------|
| 2/3A | 1.71 [43.4] |
| AA | 2.380 [60.45] |

ACTUAL SIZE



NOTE:
1. HEAT TREAT TO SPRING TEMPER.

| | | | |
|--|------------------------------|----------------------------|------------------------|
| KEYSTONE ELECTRONICS CORP. | | | |
| www.keyelco.com • NEW HYDE PARK, NY 11040 • Tel (516) 328-7500 | | | |
| PART NAME BATTERY CONTACT, SURFACE MOUNT | | | |
| MATERIAL .010 [0.25] TH'K ANNEALED SPRING STEEL | | | |
| FINISH TIN NICKEL PLATE | | DRN BY BOONE | DATE 3.16.98 |
| | | APP'D | SCALE 3X |
| TOLERANCES INCH [MM] | DECIMAL ±.010 [±0.25] | CODE C | DWG NO. 5231 |
| ANGULAR ± 1° | | UNLESS OTHERWISE SPECIFIED | |

| DATE | DESCRIPTION | REV. |
|---------|---|------|
| 7.06.20 | ADD FLATNESS (E1) CHANGE AS PER ECN 20-062 | E |
| 8.17.04 | CHANGE AS PER ECN 04-058 | D |

X-ON Electronics

Largest Supplier of Electrical and Electronic Components

Click to view similar products for [Cylindrical Battery Contacts, Clips, Holders & Springs](#) category:

Click to view products by [Keystone](#) manufacturer:

Other Similar products are found below :

[753-00001](#) [12BH36A-GR](#) [200](#) [183](#) [270](#) [QX3506](#) [5220](#) [5230](#) [1055](#) [1088](#) [5250](#) [166](#) [591](#) [1044](#) [KT0008](#) [1119](#) [254TR](#) [5207](#) [1121](#) [246](#)
[4027003022001-PK](#) [1012](#) [1020](#) [1024](#) [1024C](#) [1075](#) [1077](#) [1080](#) [1088](#) [1090](#) [1096](#) [1097](#) [1098](#) [1109](#) [1126](#) [1127](#) [1128](#) [1162](#) [1173](#) [147](#) [148](#)
[150](#) [151](#) [152](#) [153](#) [154](#) [155](#) [169](#) [171](#) [175](#)