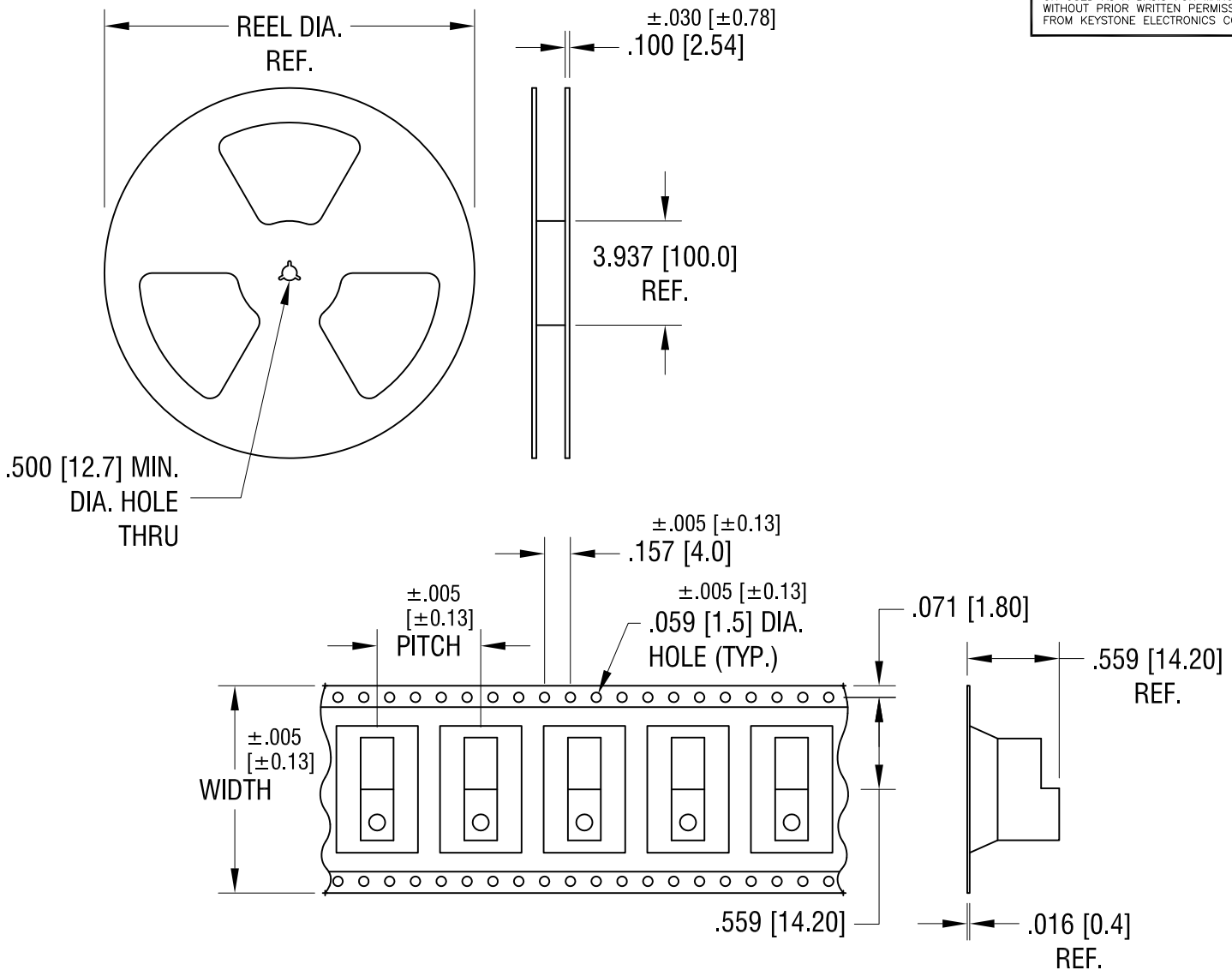


THIS DOCUMENT IS THE PROPERTY OF KEYSTONE ELECTRONICS CORP. AND SHALL NOT BE REPRODUCED, DISTRIBUTED OR USED AS A BASIS FOR MANUFACTURE WITHOUT PRIOR WRITTEN PERMISSION FROM KEYSTONE ELECTRONICS CORP.



NOTES:

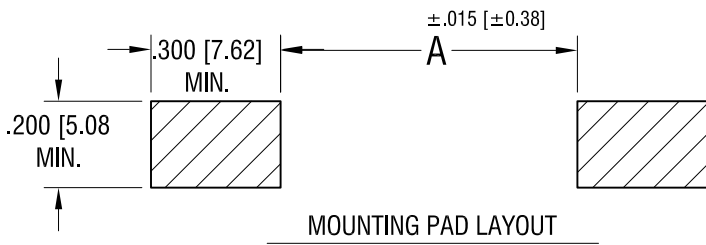
TAPE AND REEL SPECIFICATIONS:

1. TAPE:
 MAT'L - ALL CONDUCTIVE POLYSTYRENE CARRIER
 ANSI/EIA-481 STANDARD
 1.260 [32.0] WIDE; .630 [16.0] PITCH
2. REEL:
 13.0 [330.2] DIA. 250 PIECES OF
 PART NO. 5231 PER REEL.

KEYSTONE ELECTRONICS CORP.			
www.keyelco.com • ASTORIA, N.Y. 11105-2017 • Tel (718) 956-8900			
PART NAME			
SM BATTERY CONTACT, ON TAPE			
MATERIAL			
AS NOTED			
FINISH		DRN BY	DATE
AS NOTED		BOONE	6.16.00
		APP'D	SCALE
			X
TOLERANCES	INCH [MM]	CODE	DWG NO.
DECIMAL	± .015 [± 0.38]	C	5231TR
ANGULAR	± 1°		
UNLESS OTHERWISE SPECIFIED			

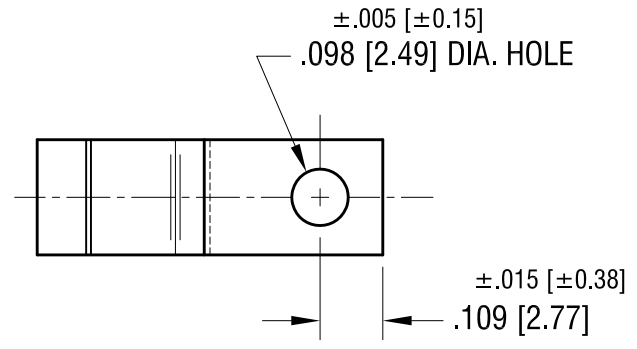
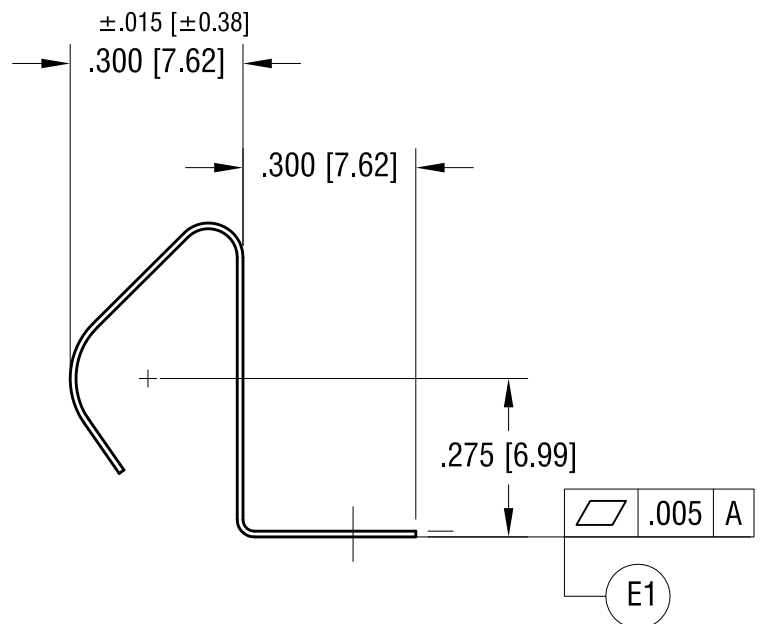
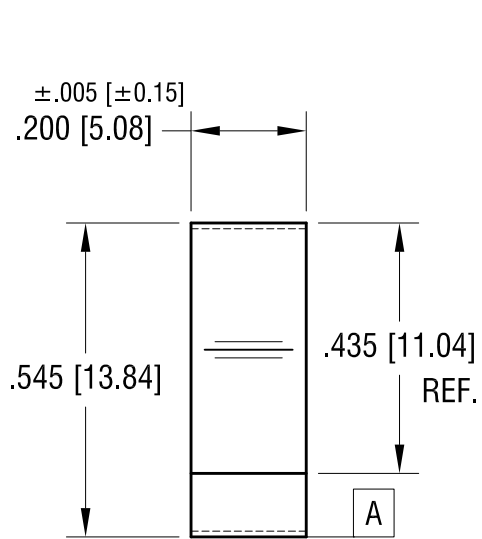
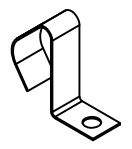
10.7.05	CHANGE AS PER ECN 05-073	B
DATE	DESCRIPTION	REV.

THIS DOCUMENT IS THE PROPERTY OF KEYSTONE ELECTRONICS CORP. AND SHALL NOT BE REPRODUCED, DISTRIBUTED OR USED AS A BASIS FOR MANUFACTURE WITHOUT PRIOR WRITTEN PERMISSION FROM KEYSTONE ELECTRONICS CORP.



FOR BATTERY SIZE:	'A' DIM.
2/3A	1.71 [43.4]
AA	2.380 [60.45]

ACTUAL SIZE



NOTE:
1. HEAT TREAT TO SPRING TEMPER.

DATE	DESCRIPTION	REV.
7.06.20	ADD FLATNESS (E1) CHANGE AS PER ECN 20-062	E
8.17.04	CHANGE AS PER ECN 04-058	D

KEYSTONE ELECTRONICS CORP.
www.keyelco.com • NEW HYDE PARK, NY 11040 • Tel (516) 328-7500

PART NAME
BATTERY CONTACT, SURFACE MOUNT

MATERIAL
.010 [0.25] TH'K ANNEALED SPRING STEEL

FINISH TIN NICKEL PLATE	DRN BY BOONE	DATE 3.16.98
	APP'D	SCALE 3X

TOLERANCES INCH [MM] DECIMAL ±.010 [±0.25] ANGULAR ± 1° UNLESS OTHERWISE SPECIFIED	CODE C	DWG NO. 5231
---	------------------	------------------------

X-ON Electronics

Largest Supplier of Electrical and Electronic Components

Click to view similar products for [Battery Contacts](#) category:

Click to view products by [Keystone](#) manufacturer:

Other Similar products are found below :

[3.5MM-UNIVERSAL-CONTACT](#) [120220-0311](#) [101267-209](#) [009155003001013](#) [72](#) [1189](#) [120](#) [120220-0202](#) [120220-0206](#) [1241](#) [120220-0204](#) [120220-0210](#) [117](#) [111](#) [497](#) [5203](#) [5219](#) [5225](#) [550](#) [553](#) [555](#) [556](#) [202-02970-00518](#) [009155002100006](#) [009155002101006](#)
[009155002201006](#) [009155002301006](#) [009155002401006](#) [009155002402006](#) [009155002541006](#) [009155002852006](#) [009155003001016](#)
[009155003002016](#) [009155003003016](#) [009155003101006](#) [009155003201006](#) [009155003301006](#) [009155003401006](#) [009155003402006](#)
[009155003541006](#) [009155003852006](#) [009155004002016](#) [009155004003016](#) [009155004201006](#) [009155004301006](#) [009155004401006](#)
[009155004402006](#) [009155004852006](#) [009155005001016](#) [009155005002016](#)