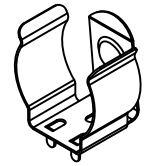
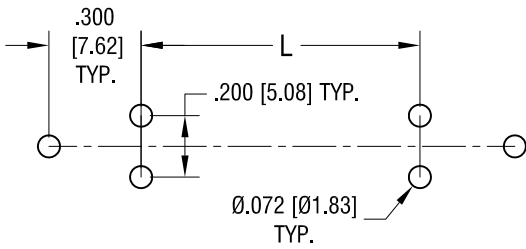


THIS DOCUMENT IS THE PROPERTY OF KEYSTONE ELECTRONICS CORP. AND SHALL NOT BE REPRODUCED, DISTRIBUTED OR USED AS A BASIS FOR MANUFACTURE WITHOUT PRIOR WRITTEN PERMISSION FROM KEYSTONE ELECTRONICS CORP.



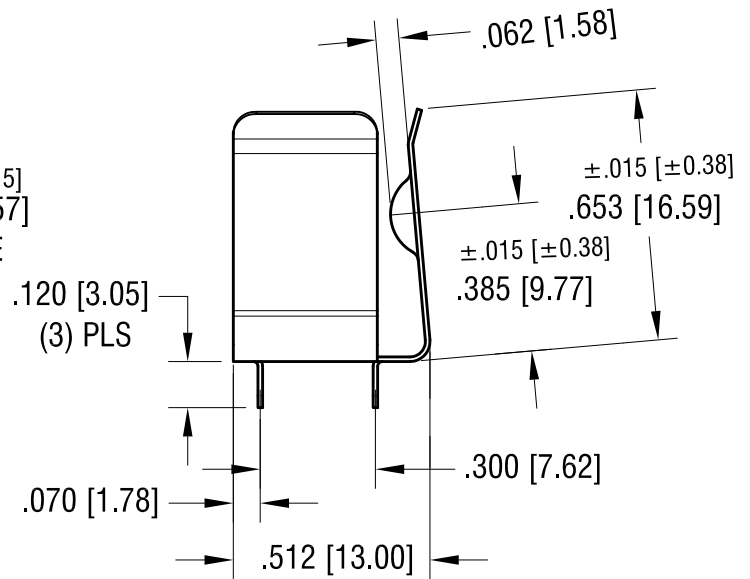
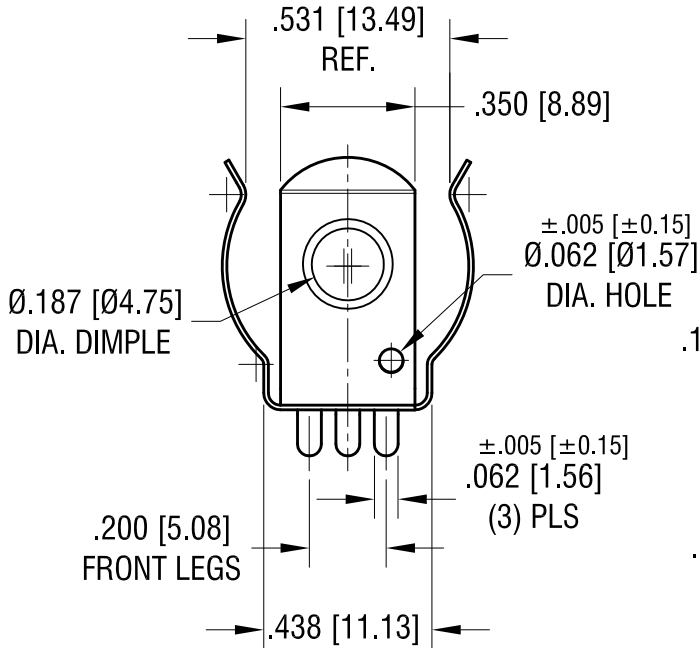
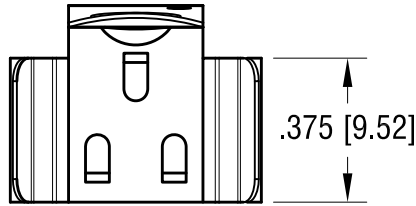
ACTUAL SIZE

MOUNTING LAYOUT



| CELL SIZE | "L" DIMENSION |
|-----------|---------------|
| 18650 *   | 1.890 [48.00] |
| CR123A    | .570 [14.50]  |
| 17500     | 1.218 [30.90] |
| 18350     | .626 [15.90]  |

\* FOR BATTERIES WITH BUILT-IN CIRCUIT PROTECTION (67mm LONG)



PCB PROTECTION CIRCUITS ARE REQUIRED WHEN USED WITH LITHIUM-ION BATTERIES

NOTE:

1. HEAT TREAT TO SPRING TEMPER

| DATE    | DESCRIPTION              | REV. |
|---------|--------------------------|------|
| 9.06.16 | CHANGE AS PER ECR 16-058 | E    |
| 9.13.13 | CHANGE AS PER ECN 13-069 | D    |
| 2.08.11 | CHANGE AS PER ECN 11-011 | C    |
| 11.9.10 | CHANGE AS PER ECN 10-079 | B    |
| 8.16.10 | CHANGE AS PER ECN 10-060 | A    |

| KEYSTONE ELECTRONICS CORP.                                     |               |  |         |
|--|---------------|--|---------|
| www.keyelco.com • NEW HYDE PARK, NY 11040 • Tel (516) 328-7500 |               |  |         |
| PART NAME  |               | 16mm - 19mm PC BATTERY CLIP            |         |
| MATERIAL   |               | .012 [0.30] TH'K ANNEALED SPRING STEEL |         |
| FINISH   |               | DRN BY                                 | DATE    |
| TIN NICKEL PLATE   |               | NT                                     | 5.04.09 |
|  |               | APP'D                                  | SCALE   |
|  |               |  | 2X      |
| TOLERANCES   | INCH [MM]     | CODE                                   | DWG NO. |
| DECIMAL  | ±.010 [±0.25] | C                                      |         |
| ANGULAR  | ± 2°          |  |         |
| UNLESS OTHERWISE SPECIFIED                                     |               |  | 54      |

## X-ON Electronics

Largest Supplier of Electrical and Electronic Components

*Click to view similar products for [Cylindrical Battery Contacts, Clips, Holders & Springs](#) category:*

*Click to view products by [Keystone](#) manufacturer:*

Other Similar products are found below :

[753-00001](#) [12BH36A-GR](#) [200](#) [183](#) [270](#) [QX3506](#) [5220](#) [5230](#) [1055](#) [1088](#) [5250](#) [166](#) [591](#) [1044](#) [KT0008](#) [1119](#) [254TR](#) [5207](#) [1121](#) [246](#)  
[4027003022001-PK](#) [1012](#) [1020](#) [1024](#) [1024C](#) [1075](#) [1077](#) [1080](#) [1088](#) [1090](#) [1096](#) [1097](#) [1098](#) [1109](#) [1126](#) [1127](#) [1128](#) [1162](#) [1173](#) [147](#) [148](#)  
[150](#) [151](#) [152](#) [153](#) [154](#) [155](#) [169](#) [171](#) [175](#)