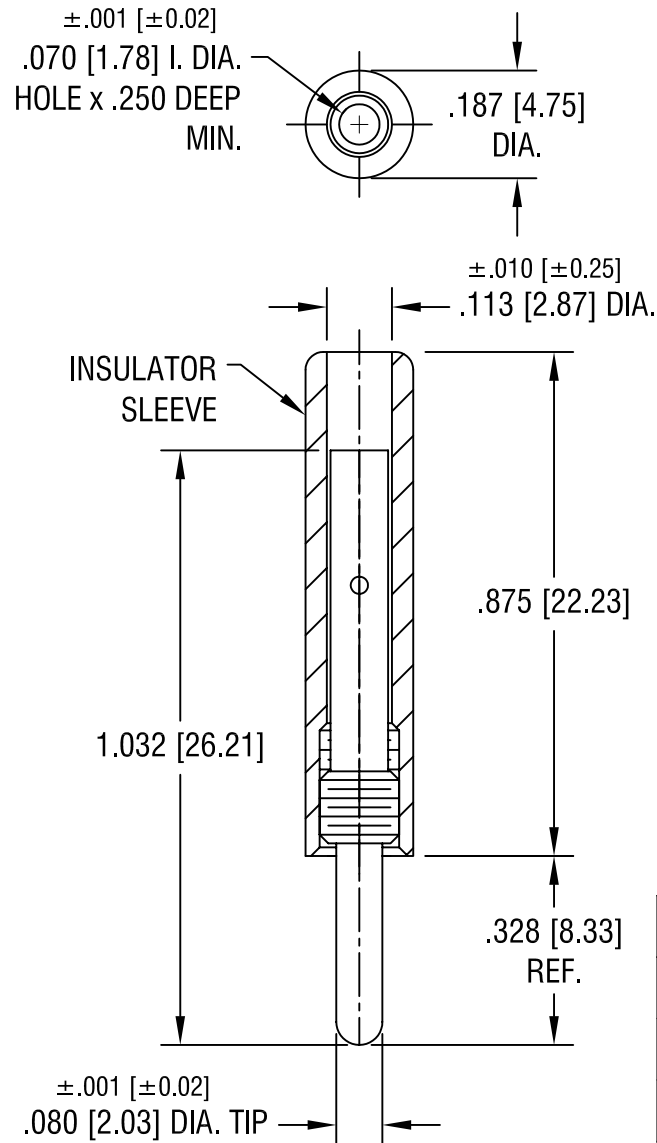


THIS DOCUMENT IS THE PROPERTY OF  
KEYSTONE ELECTRONICS CORP. AND  
SHALL NOT BE REPRODUCED, DISTRIBUTED  
OR USED AS A BASIS FOR MANUFACTURE  
WITHOUT PRIOR WRITTEN PERMISSION  
FROM KEYSTONE ELECTRONICS CORP.



| PART NO. | SLEEVE COLOR |
|----------|--------------|
| 6006     | WHITE        |
| 6007     | RED          |
| 6008     | BLACK        |
| 6009     | GREEN        |
| 6010     | YELLOW       |
| 6011     | BLUE         |

NOTES:

- TIP: MAT'L - BRASS, NICKEL PLATE  
BODY: MAT'L - NYLON 6/6 PER ASTM D4066

**KEYSTONE ELECTRONICS CORP.**

ASTORIA, N.Y. 11105-2017

|                            |                           |                         |           |
|----------------------------|---------------------------|-------------------------|-----------|
| PART NAME                  |                           | MINIATURE TEST TIP PLUG |           |
| MATERIAL                   |                           | AS NOTED                |           |
| FINISH                     | AS NOTED                  | DRN BY                  | BOONE     |
|                            |                           | DATE                    | 3.26.04   |
|                            |                           | APP'D                   | SCALE     |
|                            |                           |                         | 3X        |
| TOLERANCES                 | INCH [MM]                 | CODE                    | DWG NO.   |
| DECIMAL                    | $\pm .005$ [ $\pm 0.15$ ] | C/M                     | 6006-6011 |
| ANGULAR                    | $\pm 1^\circ$             |                         |           |
| UNLESS OTHERWISE SPECIFIED |                           |                         |           |

| DATE | DESCRIPTION | REV. |
|------|-------------|------|
|      |             |      |

## X-ON Electronics

Largest Supplier of Electrical and Electronic Components

*Click to view similar products for [Phone Connectors](#) category:*

*Click to view products by [Keystone](#) manufacturer:*

Other Similar products are found below :

[M444B](#) [6J1041A](#) [R4F](#) [E12BPKG](#) [ECP4PKG](#) [161-3502L-E](#) [MT333X](#) [171-0350-EX](#) [171-101A-EX](#) [171-3325-EX](#) [176S](#) [NC3MG-V](#)  
[NYS228G](#) [P10834](#) [P2380](#) [P2381X](#) [P2411X](#) [P2412](#) [P2724](#) [JM2PB-AU BULK](#) [9144](#) [S2674](#) [280L](#) [163-156N-2-E](#) [163-158N-2-E](#) [171-3308-](#)  
[EX](#) [171-3500-E](#) [2501FT](#) [CMT335](#) [M10662](#) [330Q](#) [RJ5VI-S](#) [40116](#) [TM1R-AU](#) [TM2PBMJ-AU](#) [TM2PJ-AU](#) [TM2PJ-AU BULK](#) [4803.1351](#)  
[49201](#) [49205](#) [TS3PBJ-AU](#) [TS3PBMJ-AU](#) [TT32BX](#) [54B](#) [40112](#) [40205](#) [XMT332B](#) [52170017-331](#) [570](#) [NM3](#)