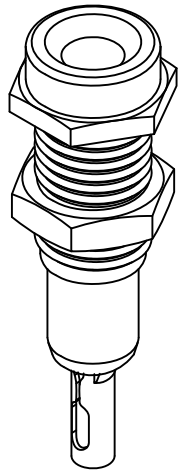
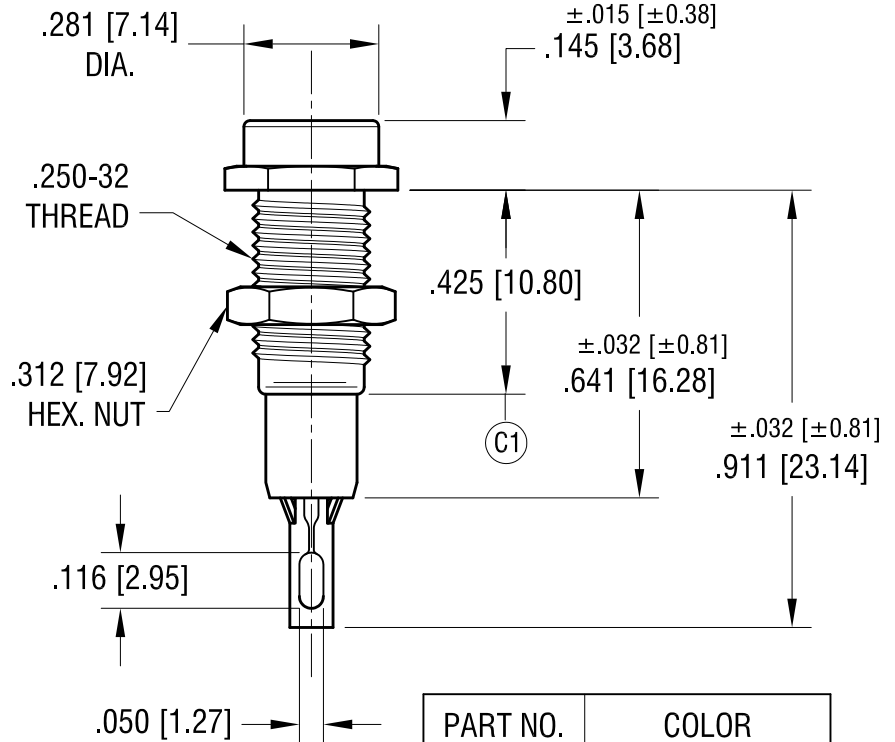
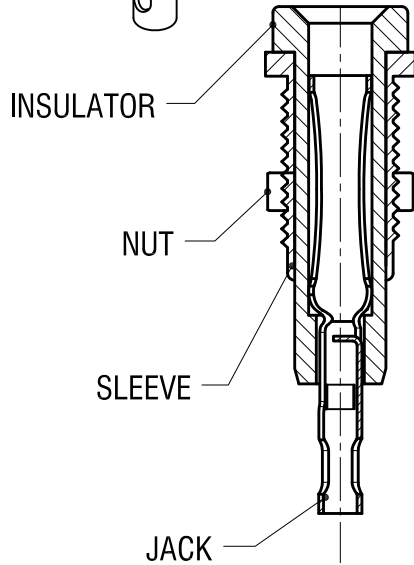
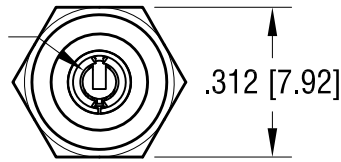


THIS DOCUMENT IS THE PROPERTY OF
KEYSTONE ELECTRONICS CORP. AND
SHALL NOT BE REPRODUCED, DISTRIBUTED
OR USED AS A BASIS FOR MANUFACTURE
WITHOUT PRIOR WRITTEN PERMISSION
FROM KEYSTONE ELECTRONICS CORP.



SPRING CONTACT TO
ACCEPT .080 [2.03]
DIA. PIN



RATINGS:

CURRENT: 10 AMPS
BREAKDOWN VOLTAGE: 5700 V RMS
CONTACT RESISTANCE: 0.010 OHMS MAX.
CONTACT-TO-PANEL C: 2 pF NOMINAL

NOTES:

1. CONTACT:

MAT'L - PHOSPHOR BRONZE
SILVER PLATE

BODY:

MAT'L - NYLON 6/6 PER ASTM D4066

**2. SHELL, NUT: BRASS, NICKEL PLATE.
HARDWARE SUPPLIED
UNASSEMBLED.**

PART NO.	COLOR
6024	WHITE
6025	RED
6026	BLACK
6027	GREEN
6028	YELLOW
6029	BLUE

DATE	DESCRIPTION	REV.
3.01.16	ECN 16-034, C1 WAS .395	C
9.26.11	CHANGE AS PER ECN 11-127	B
2.5.03	CHANGE AS PER ECN 03-012	A

KEYSTONE ELECTRONICS CORP.
www.keyelco.com • ASTORIA, N.Y. 11105-2017 • Tel (718) 956-8900

PART NAME: **INSULATED METAL-CLAD TIP JACK**

MATERIAL: **AS NOTED**

FINISH: **AS NOTED**

TOLERANCES INCH [MM]
DECIMAL ± .005 [± 0.13]
ANGULAR ± 1°
UNLESS OTHERWISE SPECIFIED

CODE: **C**

DRN BY: **BOONE** DATE: **12.7.82**
APP'D: SCALE: **2.5X**

DWG NO.: **6024-6029**

X-ON Electronics

Largest Supplier of Electrical and Electronic Components

Click to view similar products for [Test Plugs & Test Jacks](#) category:

Click to view products by [Keystone](#) manufacturer:

Other Similar products are found below :

[01-2601-4-0210](#) [01-2601-4-0212](#) [01-2604-4-0212](#) [01-2604-5-0210](#) [01-2150-1-0312](#) [01-2350-1-02](#) [01-2352-1-02](#) [01-2368-1-02](#) [01-2604-4-0210](#) [01-2604-5-0212](#) [01-2606-4-0210](#) [01-2606-4-0212](#) [01-2606-5-0212](#) [M39024/10-01G](#) [M39024/10-17G](#) [M39024/11-09G](#) [M39024/11-42](#) [M39024/11-43](#) [M39024/12-08](#) [707-5311](#) [707-5402-01-19](#) [707-5410](#) [923739-40-I](#) [R644543000](#) [R948161000](#) [R999351000](#) [1408-4](#) [1499-101](#) [1533-1](#) [1659559](#) [1659567](#) [1663921](#) [1663939](#) [1696-102](#) [174-R825B-EX](#) [NYS508-BU](#) [NYS508-O](#) [211-101](#) [RS100GBL](#) [RS250GBL](#) [251-102](#) [25-2251-2-03](#) [25-2259-2-03](#) [923743-16-I](#) [923743-24-I](#) [923743-28-I](#) [2854-BLU](#) [2970-BLK](#) [30-443G](#) [1680](#)