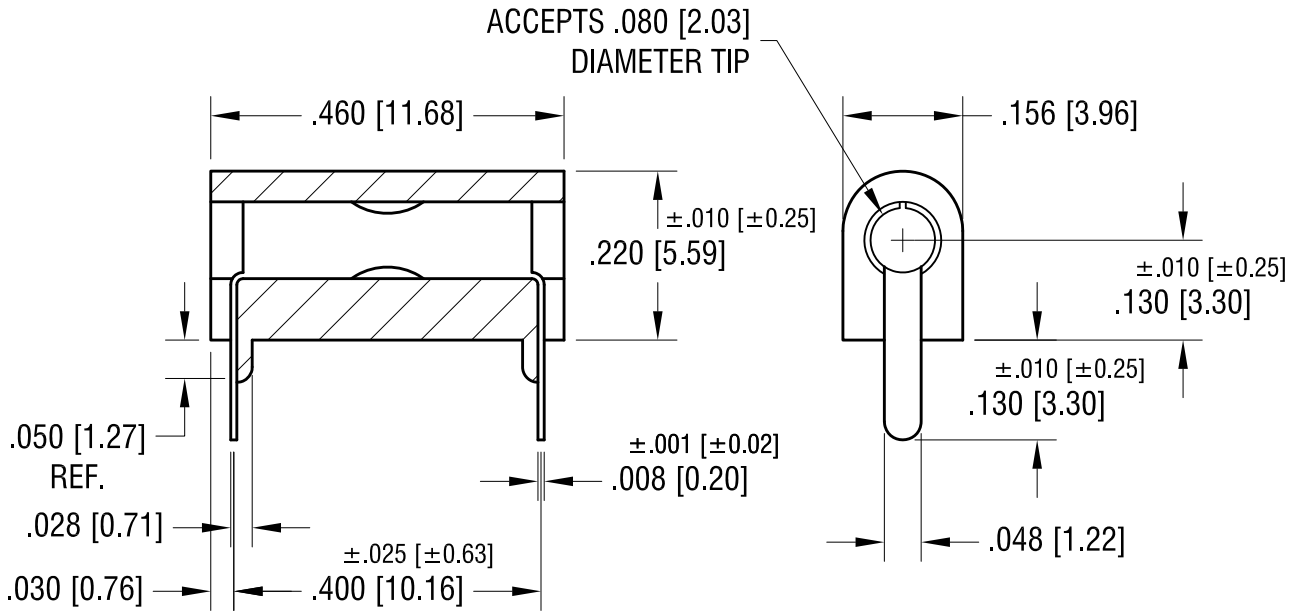
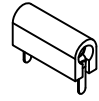


THIS DOCUMENT IS THE PROPERTY OF KEYSTONE ELECTRONICS CORP. AND SHALL NOT BE REPRODUCED, DISTRIBUTED OR USED AS A BASIS FOR MANUFACTURE WITHOUT PRIOR WRITTEN PERMISSION FROM KEYSTONE ELECTRONICS CORP.

ACTUAL SIZE



NOTES:

- BODY: MAT'L - NYLON
CONTACT: MAT'L - BERYLLIUM COPPER
FINISH - SILVER PLATE
- MOUNTING HOLES: .052 [1.32] DIA.

PART NO.	BODY COLOR
6066	WHITE
6067	RED
6068	BLACK
6069	YELLOW
6070	GREEN
6071	BLUE

DATE	DESCRIPTION	REV.
1.02.14	CHANGE AS PER ECN 14-004	D
7.8.05	CHANGE AS PER ECN 05-045	C

KEYSTONE ELECTRONICS CORP.

www.keyelco.com • ASTORIA, N.Y. 11105-2017 • Tel (718) 956-8900

PART NAME
LOW PROFILE HORIZONTAL PC TEST JACK

MATERIAL
AS NOTED

FINISH AS NOTED	DRN BY BOONE	DATE 12.14.03
	APP'D	SCALE 4X

TOLERANCES INCH [MM] DECIMAL ± .005 [± 0.15]	CODE C	DWG NO. 6066 - 6071
-------------------------------------------------	------------------	-------------------------------

UNLESS OTHERWISE SPECIFIED

X-ON Electronics

Largest Supplier of Electrical and Electronic Components

Click to view similar products for [Test Plugs & Test Jacks](#) category:

Click to view products by [Keystone](#) manufacturer:

Other Similar products are found below :

[01-2601-4-0210](#) [01-2601-4-0212](#) [01-2604-4-0212](#) [01-2604-5-0210](#) [01-2150-1-0312](#) [01-2350-1-02](#) [01-2352-1-02](#) [01-2368-1-02](#) [01-2604-4-0210](#) [01-2604-5-0212](#) [01-2606-4-0210](#) [01-2606-4-0212](#) [01-2606-5-0212](#) [M39024/10-01G](#) [M39024/10-17G](#) [M39024/11-09G](#) [M39024/11-42](#) [M39024/11-43](#) [M39024/12-08](#) [707-5311](#) [707-5402-01-19](#) [707-5410](#) [923739-40-I](#) [R644543000](#) [R948161000](#) [R999351000](#) [1408-4](#) [1499-101](#) [1533-1](#) [1659559](#) [1659567](#) [1663921](#) [1663939](#) [1696-102](#) [174-R825B-EX](#) [NYS508-BU](#) [NYS508-O](#) [211-101](#) [RS100GBL](#) [RS250GBL](#) [251-102](#) [25-2251-2-03](#) [25-2259-2-03](#) [923743-16-I](#) [923743-24-I](#) [923743-28-I](#) [2854-BLU](#) [2970-BLK](#) [30-443G](#) [1680](#)