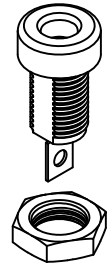
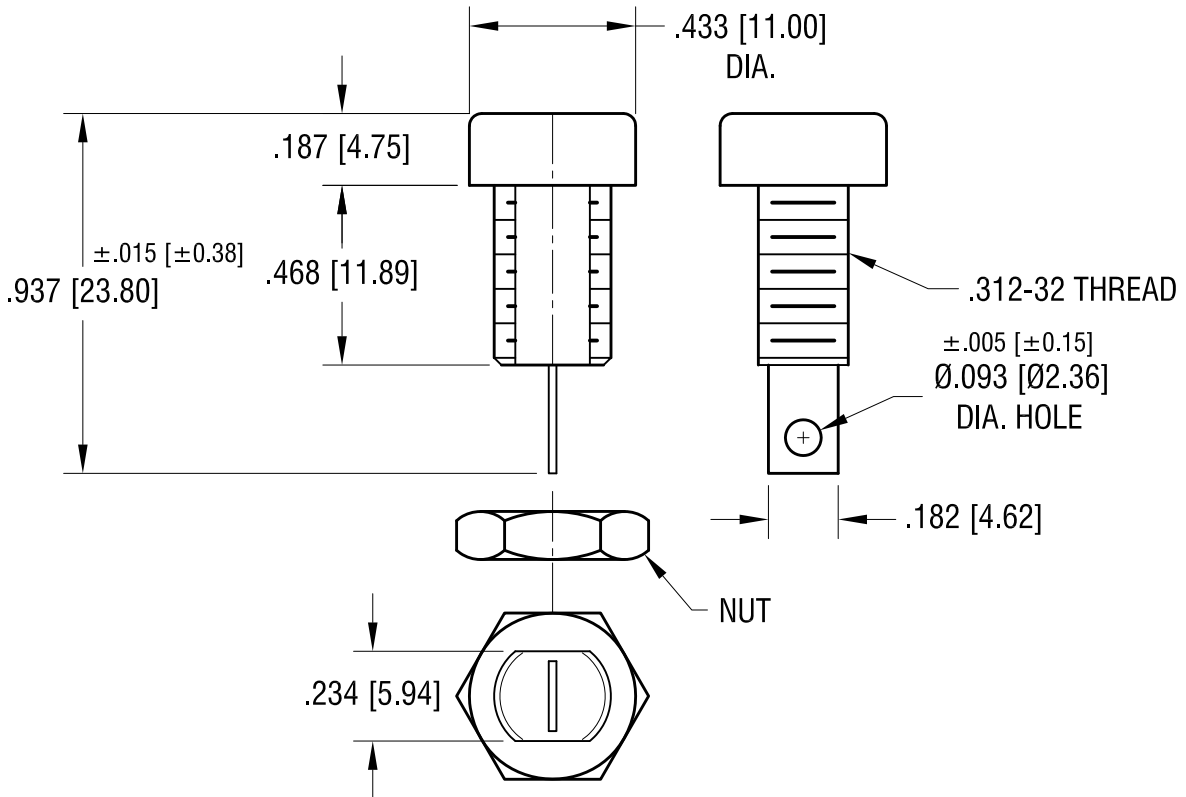
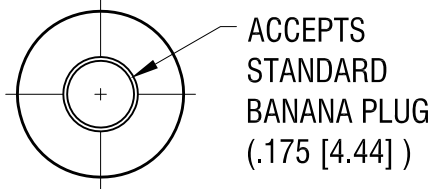
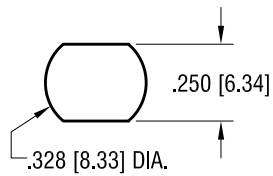


THIS DOCUMENT IS THE PROPERTY OF KEYSTONE ELECTRONICS CORP. AND SHALL NOT BE REPRODUCED, DISTRIBUTED OR USED AS A BASIS FOR MANUFACTURE WITHOUT PRIOR WRITTEN PERMISSION FROM KEYSTONE ELECTRONICS CORP.

**ACTUAL SIZE**



**MOUNTING DETAIL**



**NOTES:**

1. BODY: MAT'L - NYLON (BLACK COLOR)
2. SOLDER LUG: MAT'L - BRASS, TIN PLATE
3. NUT: MAT'L - BRASS, NICKEL PLATE

**KEYSTONE ELECTRONICS CORP.**

www.keyelco.com • ASTORIA, N.Y. 11105-2017 • Tel (718) 956-8900

|                            |                 |                       |         |
|----------------------------|-----------------|-----------------------|---------|
| PART NAME                  |                 | INSULATED BANANA JACK |         |
| MATERIAL                   |                 | AS NOTED              |         |
| FINISH                     | AS NOTED        | DRN BY                | BOONE   |
|                            |                 | APP'D                 |         |
|                            |                 | DATE                  | 1.11.06 |
|                            |                 | SCALE                 | 2X      |
| TOLERANCES                 | INCH [MM]       | CODE                  | DWG NO. |
| DECIMAL                    | ± .010 [± 0.25] | C                     | 6092    |
| ANGULAR                    | ± 1°            |                       |         |
| UNLESS OTHERWISE SPECIFIED |                 |                       |         |

|         |                          |      |
|---------|--------------------------|------|
| 1.06.14 | CHANGE AS PER ECN 14-008 | B    |
| 8.31.11 | CHANGE AS PER ECN 11-120 | A    |
| DATE    | DESCRIPTION              | REV. |

## X-ON Electronics

Largest Supplier of Electrical and Electronic Components

*Click to view similar products for [Test Plugs & Test Jacks](#) category:*

*Click to view products by [Keystone](#) manufacturer:*

Other Similar products are found below :

[01-2601-4-0210](#) [01-2601-4-0212](#) [01-2604-4-0212](#) [01-2604-5-0210](#) [01-2150-1-0312](#) [01-2350-1-02](#) [01-2352-1-02](#) [01-2368-1-02](#) [01-2604-4-0210](#) [01-2604-5-0212](#) [01-2606-4-0210](#) [01-2606-4-0212](#) [01-2606-5-0212](#) [M39024/10-01G](#) [M39024/10-17G](#) [M39024/11-09G](#) [M39024/11-42](#) [M39024/11-43](#) [M39024/12-08](#) [707-5311](#) [707-5402-01-19](#) [707-5410](#) [923739-40-I](#) [R644543000](#) [R948161000](#) [R999351000](#) [1408-4](#) [1499-101](#) [1533-1](#) [1659559](#) [1659567](#) [1663921](#) [1663939](#) [1696-102](#) [174-R825B-EX](#) [NYS508-BU](#) [NYS508-O](#) [211-101](#) [RS100GBL](#) [RS250GBL](#) [251-102](#) [25-2251-2-03](#) [25-2259-2-03](#) [923743-16-I](#) [923743-24-I](#) [923743-28-I](#) [2854-BLU](#) [2970-BLK](#) [30-443G](#) [1680](#)