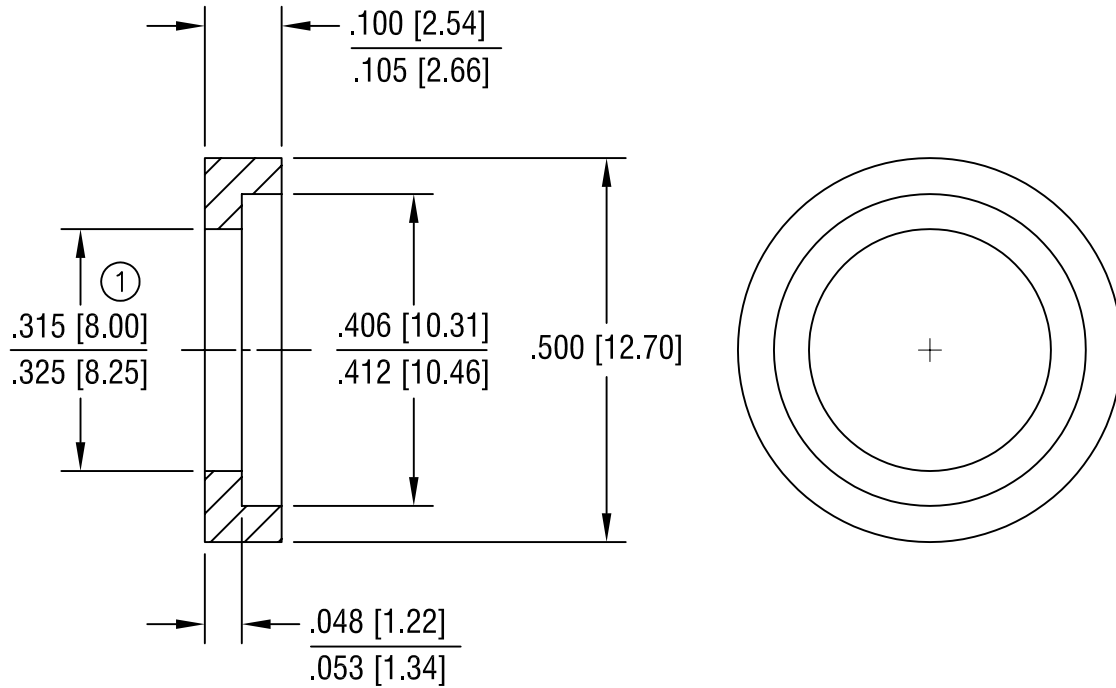


THIS DOCUMENT IS THE PROPERTY OF  
KEYSTONE ELECTRONICS CORP. AND  
SHALL NOT BE REPRODUCED, DISTRIBUTED  
OR USED AS A BASIS FOR MANUFACTURE  
WITHOUT PRIOR WRITTEN PERMISSION  
FROM KEYSTONE ELECTRONICS CORP.



CAT. NO.	DESCRIPTION
59	RED
60	BLACK

<b>KEYSTONE ELECTRONICS CORP.</b>			
ASTORIA, N.Y. 11105-2017			
PART NAME INSULATED POLARIZING WASHER			
MATERIAL MOLDED POLYETHYLENE			
FINISH -		DRN BY BOONE	DATE 10.6.81
		APP'D	SCALE 4X
TOLERANCES DECIMAL ANGULAR	INCH ± .005 ± 1°	[MM] [± 0.15 ]	CODE DWG NO.
UNLESS OTHERWISE SPECIFIED			C/M <b>59-60</b>

DATE	DESCRIPTION	REV.
11.1.93	REDRAWN, ADDED METRIC	B
8.18.82	① WAS .310	A

## X-ON Electronics

Largest Supplier of Electrical and Electronic Components

*Click to view similar products for [Battery Contacts](#) category:*

*Click to view products by [Keystone](#) manufacturer:*

Other Similar products are found below :

[3.5MM-UNIVERSAL-CONTACT](#) [120220-0311](#) [101267-209](#) [009155003001013](#) [72](#) [1189](#) [120](#) [120220-0202](#) [120220-0206](#) [1241](#) [120220-0204](#) [120220-0210](#) [117](#) [111](#) [497](#) [5203](#) [5219](#) [5225](#) [550](#) [553](#) [555](#) [556](#) [202-02970-00518](#) [009155002100006](#) [009155002101006](#)  
[009155002201006](#) [009155002301006](#) [009155002401006](#) [009155002402006](#) [009155002541006](#) [009155002852006](#) [009155003001016](#)  
[009155003002016](#) [009155003003016](#) [009155003101006](#) [009155003201006](#) [009155003301006](#) [009155003401006](#) [009155003402006](#)  
[009155003541006](#) [009155003852006](#) [009155004002016](#) [009155004003016](#) [009155004201006](#) [009155004301006](#) [009155004401006](#)  
[009155004402006](#) [009155004541006](#) [009155004852006](#) [009155005001016](#)