
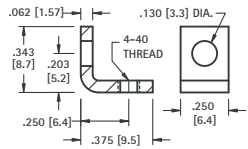




THREADED MOUNTING BRACKETS


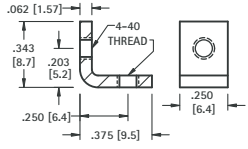
THREADED MOUNTING BRACKETS

4-40 THREAD


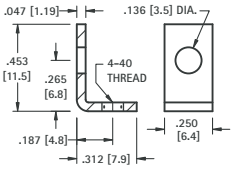
CAT. NO. 612 **MATERIAL:**
.062 (1.57) Steel, Zinc Plate

4-40 THREAD


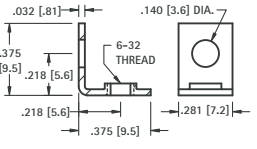
CAT. NO. 621 **MATERIAL:**
.062 (1.57) Steel, Zinc Plate

4-40 THREAD


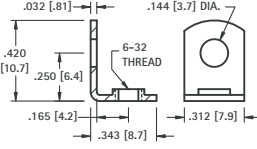
CAT. NO. 616 **MATERIAL:**
.047 (1.19) Brass, Tin Plate

6-32 THREAD

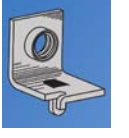
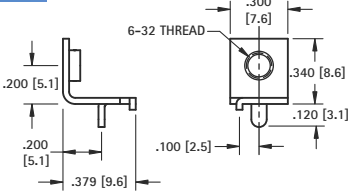
CAT. NO. 634 **MATERIAL:**
.032 (.81) Brass, Nickel Plate

6-32 THREAD


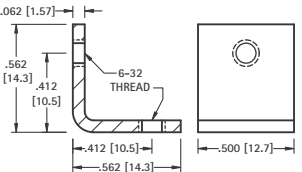
CAT. NO. 614 **MATERIAL:**
.032 (.81) Brass, Tin Plate

6-32 THREAD


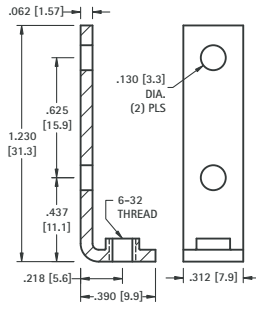
CAT. NO. 632 **MATERIAL:**
.032 (.81) Brass, Tin Plate

6-32 THREAD


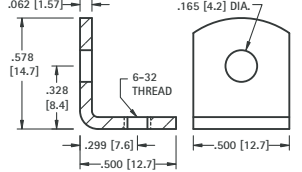
CAT. NO. 4334 **MATERIAL:**
.062 (1.57) Steel, Nickel Plate

6-32 THREAD


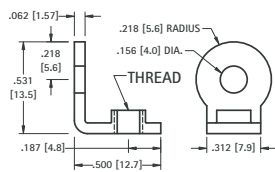
CAT. NO. 708 **MATERIAL:**
.062 (1.57) Steel, Nickel Plate

6-32 THREAD

CAT. NO. 617 **MATERIAL:**
.062 (1.57) Steel, Tin Plate


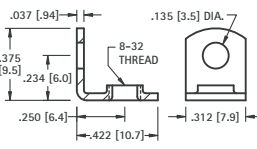
6-32 OR 8-32 THREAD

CAT. NO.	THREAD
4332	6-32
4333	8-32


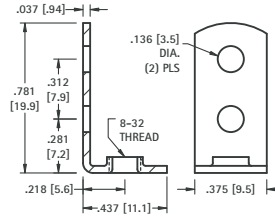
MATERIAL:
.062 (1.57) Brass, Nickel Plate

8-32 THREAD

CAT. NO. 611 **MATERIAL:**
.037 (.94) Brass, Tin Plate

8-32 THREAD

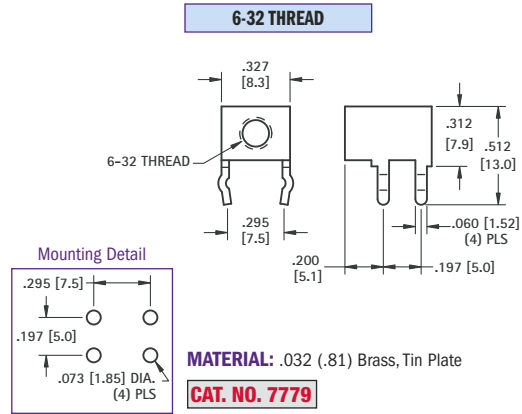
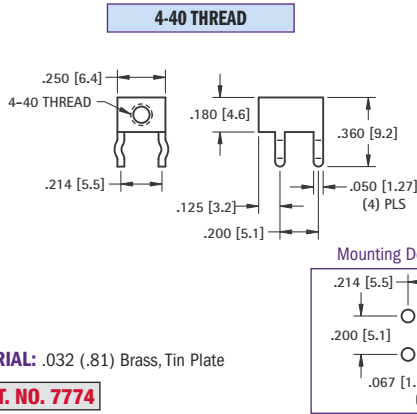
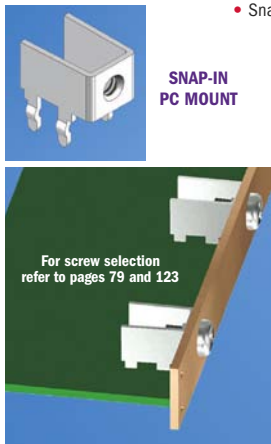
CAT. NO. 631 **MATERIAL:**
.037 (.94) Steel, Tin Plate



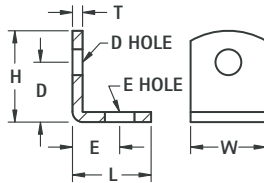


SNAP-IN THREADED PC MOUNT BRACKETS

• Snaps in for wave soldering • Reduces assembly time • Easily mount into predrilled or punched holes • Stable no rock design



UNIVERSAL CLEAR HOLE BRACKETS



CAT. NO.	H	L	W	D	D HOLE DIAMETER	E	E HOLE DIAMETER	T	MATERIAL	FINISH
633	.375 (9.5)	.375 (9.5)	.281 (7.1)	.218 (5.5)	.140 (3.6)	.218 (5.5)	.140 (3.6)	.032 (.81)	Brass	Nickel
613	.390 (9.9)	.453 (11.5)	.375 (9.5)	.234 (5.9)	.147 (3.7)	.299 (7.6)	.128 (3.3)	.032 (.81)	Brass	Nickel
615	.420 (10.7)	.343 (8.7)	.281 (7.1)	.281 (7.1)	.144 (3.7)	.203 (5.2)	.128 (3.3)	.032 (.81)	Brass	Tin
4335	.562 (14.3)	.562 (14.3)	.500 (12.7)	.412 (10.5)	.120 (3.0)	.411 (10.4)	.120 (3.0)	.062 (1.57)	Steel	Nickel
4336	.562 (14.3)	.562 (14.3)	.500 (12.7)	.412 (10.5)	.144 (3.7)	.412 (10.5)	.144 (3.7)	.062 (1.57)	Steel	Nickel
618	.628 (16.0)	.628 (16.0)	.375 (9.5)	.378 (9.6)	.169 (4.3)	.378 (9.6)	.169 (4.3)	.050 (1.27)	Brass	Tin
619	.687 (17.4)	.687 (17.4)	.375 (9.5)	.500 (12.7)	.144 (3.7)	.500 (12.7)	.144 (3.7)	.032 (.81)	Steel	Tin
4326	1.013 (25.7)	.487 (12.4)	.312 (7.9)	.816 (20.7)	.140 (3.6)	.332 (8.4)	.140 (3.6)	.050 (1.27)	Steel	Nickel
620	1.156 (29.4)	.656 (16.7)	.375 (9.5)	.906 (23.0)	.169 (4.3)	.420 (10.7)	.169 (4.3)	.032 (.81)	Steel	Tin

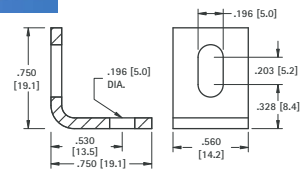
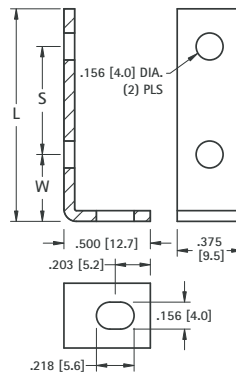
BOARD BRACKETS



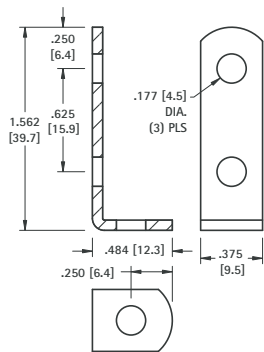
Originally designed for our line of standardized terminal boards; these brackets can also be used in other applications. See pages 148-149 for Turret Terminal Boards.

MATERIALS: .062 (1.57) Steel, Nickel Plate

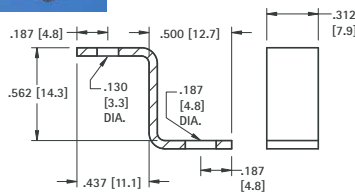
CAT. NO.	W	L	S
1570	.281 (7.1)	1.187 (30.1)	.750 (19.1)
1556	.375 (9.5)	1.625 (41.3)	1.000 (25.4)
1571	.281 (7.1)	1.625 (41.3)	1.187 (30.1)
1567	.375 (9.5)	2.125 (54.0)	1.500 (38.1)
1568	.375 (9.5)	2.625 (66.7)	2.000 (50.8)
1569	.375 (9.5)	3.125 (79.4)	2.500 (63.5)



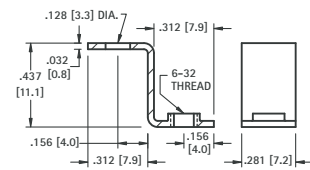
CAT. NO. 4337 MATERIAL: .080 (2.03) Aluminum



CAT. NO. 1564 MATERIAL: .062 (1.57) Steel, Nickel Plate



CAT. NO. 4325 MATERIAL: .050 (1.27) Steel, Nickel Plate



CAT. NO. 630 MATERIAL: .032 (.81) Brass, Tin Plate



X-ON Electronics

Largest Supplier of Electrical and Electronic Components

Click to view similar products for [Mounting Fixings](#) category:

Click to view products by [Keystone](#) manufacturer:

Other Similar products are found below :

[5912235-1 REV](#) - [5912235-2](#) [007541](#) [627](#) [M3783-7001](#) [71-074914-006](#) [71-441549-19S](#) [75-69211-3P](#) [75-69214-6P](#) [75-69224-28P](#) [75-69224-5S](#) [75-69232-17S](#) [7717-8DAP](#) [85047GULPT](#) [85054GBEPR](#) [FPK-02-R10](#) [PMS27488-001-01](#) [1-18023-0](#) [H-118-2](#) [D83999/20WC8SN](#) [DB1](#) [1302030464](#) [DC31-14W19PN](#) [DC31-14W19PW](#) [DC31E14-19PX](#) [DC31E14-19PY](#) [DC32-18W32SN](#) [DC36-18-32SW](#) [DC36-18-32SX](#) [DC37-14-19PW](#) [DC37-22-21PX](#) [DC37E14-19PN](#) [DC37E14-19PX](#) [DC37E14-19PY](#) [1302010957](#) [1302263564](#) [1302340393](#) [1404-0016-78](#) [14540](#) [149331-9811](#) [1561-60](#) [1566](#) [1566](#) [17542](#) [HS5659MB98PN](#) [NT20SATT01](#) [201C5058-01-201 REV E](#) [22594-8](#) [KBB-141](#) [915060](#)