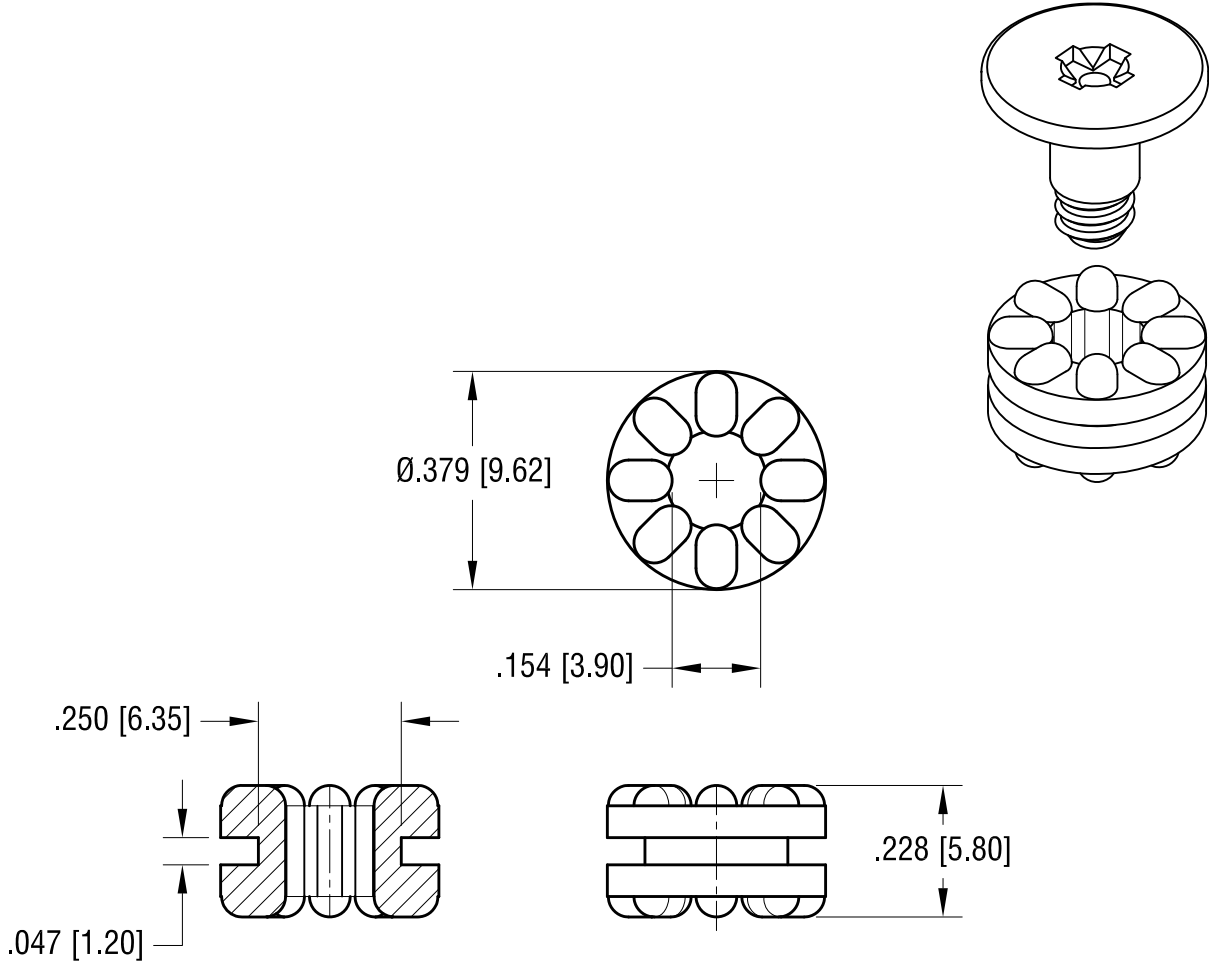


THIS DOCUMENT IS THE PROPERTY OF  
KEYSTONE ELECTRONICS CORP. AND  
SHALL NOT BE REPRODUCED, DISTRIBUTED  
OR USED AS A BASIS FOR MANUFACTURE  
WITHOUT PRIOR WRITTEN PERMISSION  
FROM KEYSTONE ELECTRONICS CORP.



**NOTE:**

- 1. GROMMET: MAT'L- THERMOPLASTIC RUBBER  
(BLUE COLOR)
- 2. MOUNTING SCREW P/N 2511 (M3 THREAD)  
(SUPPLIED UNASSEMBLED)  
MAT'L-STELL  
FINISH- NICKEL PLATE

|   |                 |        |          |
|---|-----------------|--------|----------|
| <b>KEYSTONE ELECTRONICS CORP.</b>                               |                 |        |          |
| www.keyelco.com • ASTORIA, N.Y. 11105-2017 • Tel (718) 956-8900 |                 |        |          |
| PART NAME   |                 |        |          |
| ANTI-VIBRATE GROMMET ASSEMBLY                                   |                 |        |          |
| MATERIAL  |                 |        |          |
| AS NOTED  |                 |        |          |
| FINISH  |                 | DRN BY | DATE     |
| AS NOTED  |                 | NT     | 12.14.10 |
|   |                 | APP'D  | SCALE    |
|   |                 |        | 3X       |
| TOLERANCES  | INCH [MM]       | CODE   | DWG NO.  |
| DECIMAL   | ± .005 [± 0.13] | C      | 768      |
| ANGULAR   | ± 1°            |        |          |
| UNLESS OTHERWISE SPECIFIED                                      |                 |        |          |

|         |                          |      |
|---------|--------------------------|------|
| 8.05.11 | CHANGE AS PER ECN 11-101 | A    |
| DATE    | DESCRIPTION              | REV. |

## X-ON Electronics

Largest Supplier of Electrical and Electronic Components

*Click to view similar products for [Screws & Fasteners](#) category:*

*Click to view products by [Keystone](#) manufacturer:*

Other Similar products are found below :

[5721-1440-1/4-SS](#) [593503FX](#) [0098.0094](#) [0098.9206](#) [0098.9219](#) [0098.9262](#) [596-2114-013](#) [59781-6](#) [0098.0026](#) [0098.9210](#) [0098.9212](#) [60227-01](#) [60227-04](#) [60227-08](#) [60687-01](#) [LOCK WASHER Black](#) [62153-03](#) [62153-11](#) [M316-KSSTMCZ100](#) [M3440-SS](#) [M3442-SS](#) [M3448-SS](#) [6292-1](#) [6-306105-9](#) [6-306131-4](#) [690432-1](#) [699161-000](#) [7230-3](#) [7244](#) [7248-1](#) [7248-2](#) [745564-1](#) [F1209](#) [751-00001](#) [7680](#) [809704-1](#) [8700](#) [8860220](#) [9047](#) [9521](#) [992326-6](#) [992763-3](#) [1-18024-0](#) [1-18028-2](#) [A168P1](#) [A495P1](#) [1-24921-1](#) [125416-1](#) [1260](#) [13-0036](#) [1301810148](#)