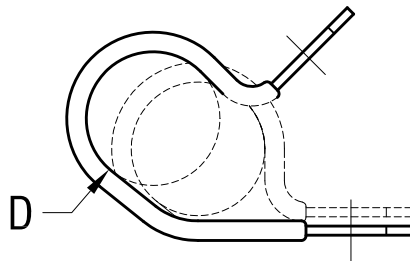
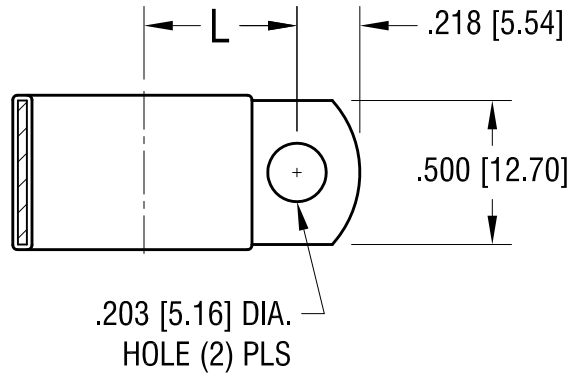


THIS DOCUMENT IS THE PROPERTY OF  
KEYSTONE ELECTRONICS CORP. AND  
SHALL NOT BE REPRODUCED, DISTRIBUTED  
OR USED AS A BASIS FOR MANUFACTURE  
WITHOUT PRIOR WRITTEN PERMISSION  
FROM KEYSTONE ELECTRONICS CORP.



|              |              |
|--------------|--------------|
| 'L' DIM.     | 'D' FOR DIA. |
| .687 [17.45] | .750 [19.05] |

|   |                          |                 |   |
|---|--------------------------|-----------------|---|
| <b>KEYSTONE ELECTRONICS CORP.</b>                               |                          |                 |   |
| www.keyelco.com • ASTORIA, N.Y. 11105-2017 • Tel (718) 956-8900 |                          |                 |   |
| PART NAME<br>INSULATED STEEL CABLE CLAMP                        |                          |                 |   |
| MATERIAL<br>.032 [.81] TH'K STEEL, BLACK VINYL                  |                          |                 |   |
| FINISH<br>ZINC PLATE<br>CLEAR CHROMATE                          |                          | DRN BY<br>BOONE | DATE<br>10.20.99  |
|   |                          | APP'D           | SCALE<br>NONE   |
| DATE<br>10.18.06  | CHANGE AS PER ECN 06-070 | REV.<br>A       | TOLERANCES INCH [MM]<br>DECIMAL ±.010 [±0.25]<br>ANGULAR ± 1°<br>UNLESS OTHERWISE SPECIFIED |
|   |                          |                 | CODE<br>C   |
|   |                          |                 | DWG NO.<br>8130   |

|          |                          |      |
|----------|--------------------------|------|
| DATE     | DESCRIPTION              | REV. |
| 10.18.06 | CHANGE AS PER ECN 06-070 | A    |

## X-ON Electronics

Largest Supplier of Electrical and Electronic Components

*Click to view similar products for [Cable Mounting & Accessories](#) category:*

*Click to view products by [Keystone](#) manufacturer:*

Other Similar products are found below :

[582603-1](#) [009333-000](#) [727844N003](#) [747](#) [809090N001](#) [843188-000](#) [8666](#) [967279N002](#) [DB-11](#) [1300840039](#) [1300900096](#) [1301800416](#)  
[1302264450](#) [1300830184](#) [1300830729](#) [1300900039](#) [1301580036](#) [1301850553](#) [1301860939](#) [1302000074](#) [1302261315](#) [1302264431](#)  
[1337706-2](#) [APA18-AK](#) [1724](#) [1-787307-1](#) [185491N001](#) [1868](#) [HP-6N](#) [C-202-C](#) [202C221-13-0](#) [CA7308-000](#) [8S23-75FR-CS8184](#) [2684](#) [9648](#)  
[3089](#) [988382-000](#) [A72821-000](#) [AA401](#) [173506-000](#) [202C292-13-0](#) [202C302-13-0](#) [2109](#) [300625](#) [3330](#) [3412](#) [M9142](#) [M9143](#) [529732-000](#)  
[561-50D1187](#)