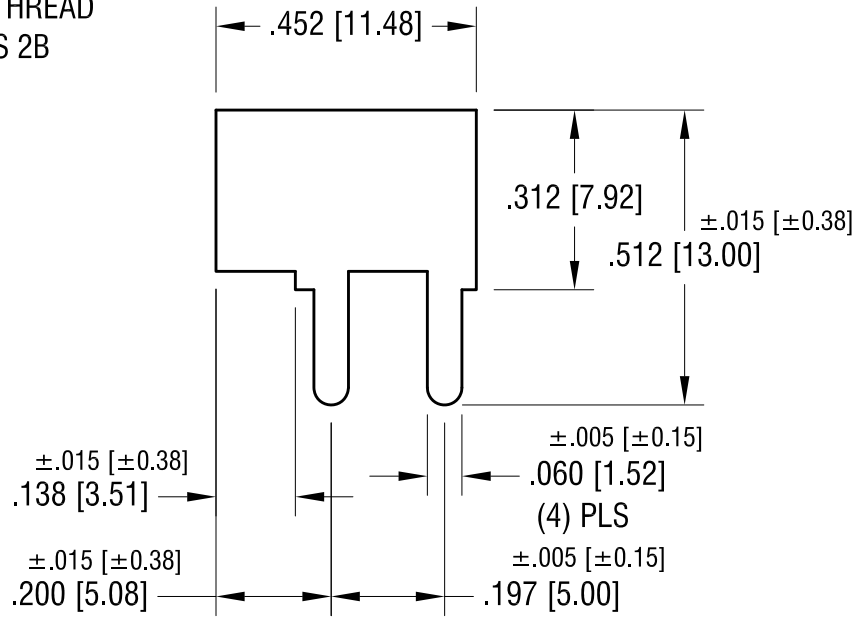
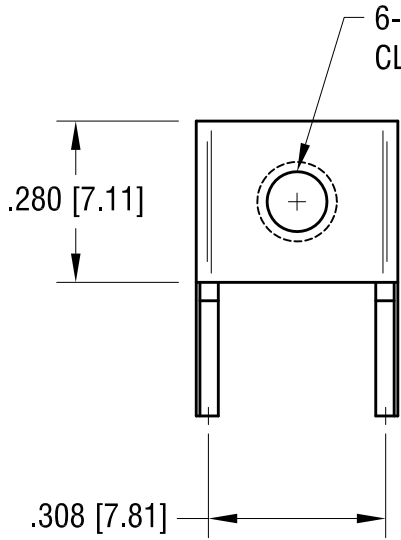
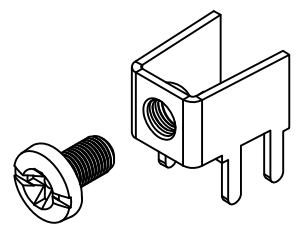
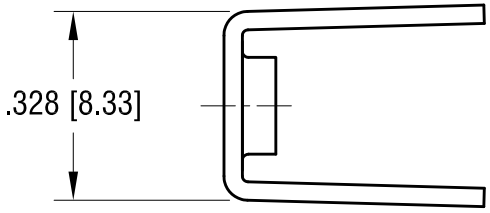
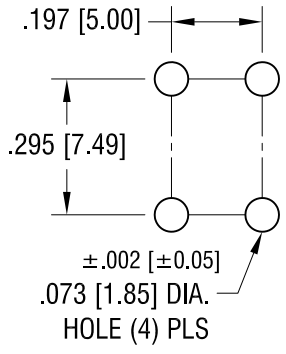


THIS DOCUMENT IS THE PROPERTY OF KEYSTONE ELECTRONICS CORP. AND SHALL NOT BE REPRODUCED, DISTRIBUTED OR USED AS A BASIS FOR MANUFACTURE WITHOUT PRIOR WRITTEN PERMISSION FROM KEYSTONE ELECTRONICS CORP.

**MOUNTING DETAIL**



**PC SCREW TERMINAL WITH COLORED SCREW HEAD**

PART NO.	HEAD COLOR	PART NO.	HEAD COLOR
8190-2	RED	8190-5	BLUE
8190-3	BLACK	8190-6	GREEN
8190-4	WHITE	8190-7	YELLOW

NOTE:  
 1. TERMINAL:  
 MAT'L - .032 [0.81] TH'K BRASS, MATTE TIN PLATE  
 SCREW : ONE (1) 6-32 x 1/4 L., SUPPLIED LOOSE.  
 MAT'L - BRASS, NICKEL PLATE

DATE	DESCRIPTION	REV.
7.08.09	CHANGE AS PER ECN 09-096	B
1.3.08	CHANGE AS PER ECN 08-022	A

**KEYSTONE ELECTRONICS CORP.**  
 www.keyelco.com • ASTORIA, N.Y. 11105-2017 • Tel (718) 956-8900

PART NAME  
 PC SCREW TERM. W/ COLORED SCREW HEAD

MATERIAL  
 AS NOTED

FINISH AS NOTED	DRN BY BOONE	DATE 10.1.03
	APP'D	SCALE 3X

TOLERANCES INCH [MM]  
 DECIMAL ±.010 [±0.25]  
 ANGULAR ± 1°  
 UNLESS OTHERWISE SPECIFIED

CODE  
 C

DWG NO.  
**8190-2 - 8190-7**

## X-ON Electronics

Largest Supplier of Electrical and Electronic Components

*Click to view similar products for [Terminals](#) category:*

*Click to view products by [Keystone](#) manufacturer:*

Other Similar products are found below :

[00-054007-01074-6](#) [00-054007-70206-1](#) [00-054007-70210-8](#) [00-054007-70217-7](#) [00-054007-70226-9](#) [00-054007-70228-3](#) [00-054007-70248-1](#) [00-054007-70256-6](#) [00-054007-70301-3](#) [00-054007-70316-7](#) [00-054007-49560-4](#) [00-054007-70209-2](#) [00-054007-70225-2](#) [00-054007-70227-6](#) [00-054007-70231-3](#) [00-054007-70241-2](#) [00-054007-70242-9](#) [00-054007-70244-3](#) [00-054007-70246-7](#) [00-054007-70263-4](#) [00-054007-70288-7](#) [00-054007-70290-0](#) [00-054007-70300-6](#) [00-054007-70304-4](#) [01-2065-1-0216](#) [01-2900-1-04412](#) [00581P0075](#) [600TS-10](#) [60205-1](#) [604200-1](#) [605601-1](#) [60598-1-CUT-TAPE](#) [61314-6-C](#) [61810-3](#) [61-S](#) [62149-1](#) [626-0194](#) [62-NBM-A](#) [62-SN](#) [62-SP](#) [640179-1](#) [M55155/059I03](#) [M55155/079C01](#) [M55155/099H02](#) [M55155/109H01](#) [M55155/109H02](#) [M55155/12XH05](#) [M55155/16XH02](#) [M55155/29-5S](#) [M55155/29XJ08](#)