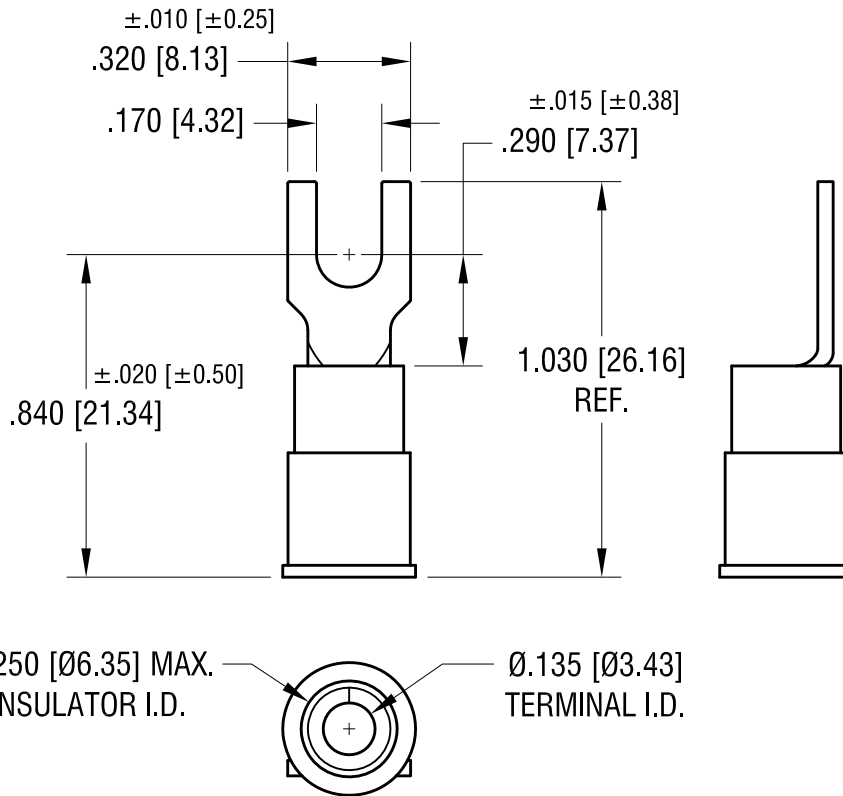


THIS DOCUMENT IS THE PROPERTY OF  
KEYSTONE ELECTRONICS CORP. AND  
SHALL NOT BE REPRODUCED, DISTRIBUTED  
OR USED AS A BASIS FOR MANUFACTURE  
WITHOUT PRIOR WRITTEN PERMISSION  
FROM KEYSTONE ELECTRONICS CORP.



NOTE:

1. TERMINAL: .040 [1.02] TH'K COPPER, TIN PLATE  
INSULATOR: VINYL, YELLOW
2. ACCOMMODATES WIRE RANGE 12/10 AWG

|   |                           |        |             |
|---|---------------------------|--------|-------------|
| <b>KEYSTONE ELECTRONICS CORP.</b>                               |                           |        |             |
| www.keyelco.com • ASTORIA, N.Y. 11105-2017 • Tel (718) 956-8900 |                           |        |             |
| PART NAME   |                           |        |             |
| INSULATED BLOCK SPADE TERMINAL                                  |                           |        |             |
| MATERIAL  |                           |        |             |
| AS NOTED  |                           |        |             |
| FINISH  |                           | DRN BY | DATE        |
| AS NOTED  |                           | BOONE  | 10.30.07    |
|   |                           | APP'D  | SCALE       |
|   |                           |        | 2X          |
| TOLERANCES  | INCH [MM]                 | CODE   | DWG NO.     |
| DECIMAL   | $\pm .005$ [ $\pm 0.13$ ] | C      | <b>8234</b> |
| ANGULAR   | $\pm 1^\circ$             |        |             |
| UNLESS OTHERWISE SPECIFIED                                      |                           |        |             |

|      |             |      |  |
|------|-------------|------|--|
| DATE | DESCRIPTION | REV. |  |
|------|-------------|------|--|

## X-ON Electronics

Largest Supplier of Electrical and Electronic Components

*Click to view similar products for [Terminals](#) category:*

*Click to view products by [Keystone](#) manufacturer:*

Other Similar products are found below :

[00-054007-01074-6](#) [00-054007-70206-1](#) [00-054007-70210-8](#) [00-054007-70217-7](#) [00-054007-70226-9](#) [00-054007-70228-3](#) [00-054007-70248-1](#) [00-054007-70256-6](#) [00-054007-70301-3](#) [00-054007-70316-7](#) [00-054007-49560-4](#) [00-054007-70209-2](#) [00-054007-70225-2](#) [00-054007-70227-6](#) [00-054007-70231-3](#) [00-054007-70241-2](#) [00-054007-70242-9](#) [00-054007-70244-3](#) [00-054007-70246-7](#) [00-054007-70263-4](#) [00-054007-70288-7](#) [00-054007-70290-0](#) [00-054007-70300-6](#) [00-054007-70304-4](#) [01-2065-1-0216](#) [01-2900-1-04412](#) [00581P0075](#) [600TS-10](#) [60205-1](#) [604200-1](#) [605601-1](#) [60598-1-CUT-TAPE](#) [61314-6-C](#) [61810-3](#) [61-S](#) [62149-1](#) [626-0194](#) [62-NBM-A](#) [62-SN](#) [62-SP](#) [640179-1](#) [M55155/059I03](#) [M55155/079C01](#) [M55155/099H02](#) [M55155/109H01](#) [M55155/109H02](#) [M55155/12XH05](#) [M55155/16XH02](#) [M55155/29-5S](#) [M55155/29XJ08](#)