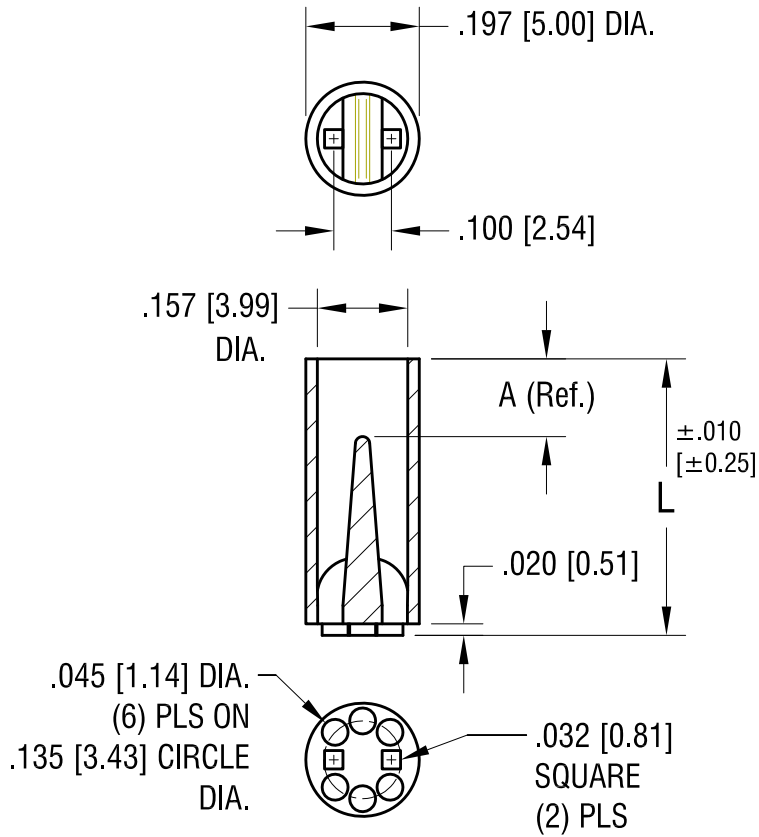


THIS DOCUMENT IS THE PROPERTY OF KEYSTONE ELECTRONICS CORP. AND SHALL NOT BE REPRODUCED, DISTRIBUTED OR USED AS A BASIS FOR MANUFACTURE WITHOUT PRIOR WRITTEN PERMISSION FROM KEYSTONE ELECTRONICS CORP.



PART NO.	'L' DIM.	'A' DIM. REF.
8311	.120 [3.05]	.045 [1.14]
8312	.140 [3.56]	.065 [1.65]
8313	.160 [4.06]	.085 [2.16]
8314	.180 [4.57]	.105 [2.67]
8315	.200 [5.08]	.125 [3.18]
8316	.220 [5.59]	.145 [3.68]
8317	.240 [6.10]	.160 [4.06]
8318	.250 [6.35]	.060 [1.52]
8319	.260 [6.60]	.065 [1.65]
8320	.280 [7.11]	.090 [2.29]
8321	.300 [7.62]	.110 [2.79]
8322	.320 [8.13]	.120 [3.05]
8323	.340 [8.64]	.140 [3.56]
8324	.350 [8.89]	.150 [3.81]
8325	.360 [9.14]	.160 [4.06]
8326	.380 [9.65]	.060 [1.52]

DATE	DESCRIPTION	REV.
1.15.15	CHANGE AS PER ECN 15-008	C
5.4.99	CHANGE AS PER ECN 99-044	B
1.15.99	CHANGE AS PER ECN 99-004	A

KEYSTONE ELECTRONICS CORP.
 www.keyelco.com • ASTORIA, N.Y. 11105-2017 • Tel (718) 956-8900

PART NAME: BI-LEAD LED SPACER, T-1 3/4

MATERIAL: NYLON 6/6

FINISH: -

DRN BY: BOONE DATE: 11.14.96

APP'D: SCALE: 3X

TOLERANCES INCH [MM]:
 DECIMAL ± .005 [± 0.13]
 ANGULAR ± 1°
 UNLESS OTHERWISE SPECIFIED

CODE: C

DWG NO. 8311-8326

X-ON Electronics

Largest Supplier of Electrical and Electronic Components

Click to view similar products for [LED Mounting Hardware](#) category:

Click to view products by [Keystone](#) manufacturer:

Other Similar products are found below :

[00624250](#) [00624750](#) [M2200](#) [7047](#) [990-4901-010](#) [990-8115-001](#) [CMP22](#) [M16-T1](#) [C-101](#) [L2K-L4GD](#) [L2K-L5XL](#) [LDN51-125SL/BT](#)
[00624500](#) [7046](#) [7056](#) [SN3486](#) [26-0053](#) [CM00624375](#) [CM00624900](#) [RNG132](#) [FIX-LEDH-10.5](#) [FIX-LEDH-11](#) [FIX-LEDH-11.5](#) [FIX-](#)
[LEDH-12](#) [FIX-LEDH-14](#) [FIX-LEDH-17](#) [FIX-LEDH-18](#) [FIX-LEDH-4](#) [FIX-LEDH-7.5](#) [FIX-LEDS-1.5](#) [FIX-LEDS-3.5](#) [FIX-LEDT-11](#) [FIX-](#)
[LEDT-20](#) [FIX-LEDT-26](#) [FIX-LEDT-9](#) [SQLEDS2-4-26](#) [7382](#) [CNXDX4624](#) [CNXDX4608](#) [CNXDF4608](#) [4740](#) [CNXCE4124](#) [CNXCE4112](#)
[CNX460-X02-4-1-08](#) [CNX440-X02-4-1-24](#) [CNX440-X02-4-1-18](#) [CNX440-E02-4-1-08](#) [506-0073](#) [SSH-LX5091](#) [SN1287-C](#)