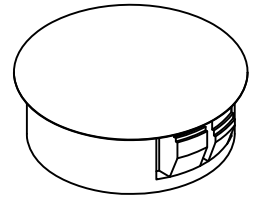
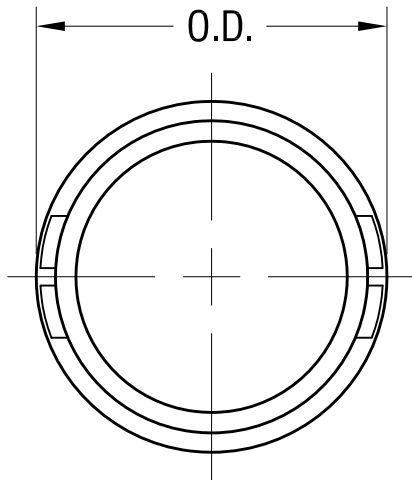
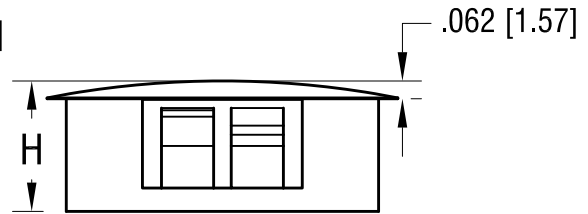
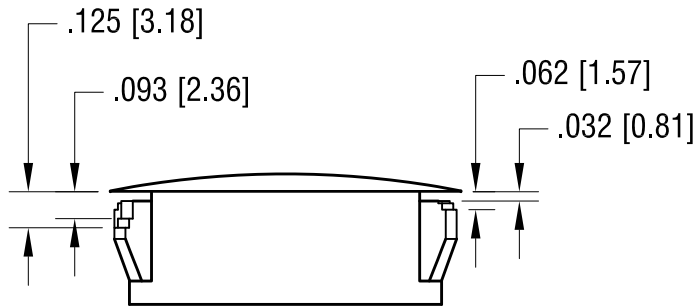


THIS DOCUMENT IS THE PROPERTY OF
KEYSTONE ELECTRONICS CORP. AND
SHALL NOT BE REPRODUCED, DISTRIBUTED
OR USED AS A BASIS FOR MANUFACTURE
WITHOUT PRIOR WRITTEN PERMISSION
FROM KEYSTONE ELECTRONICS CORP.



P/N 8608 (ACTUAL SIZE)



PART NO.	HOLE DIA. (REF.)	O.D.	H
8602	.375 [9.52]	.468 [11.89]	.406 [10.31]
8603	.500 [12.70]	.578 [14.68]	.406 [10.31]
8604	.625 [15.87]	.734 [18.64]	.406 [10.31]
8605	.750 [19.04]	.921 [23.39]	.406 [10.31]
8606	.875 [22.21]	1.015 [25.78]	.453 [11.51]
8607	1.000 [25.40]	1.203 [30.56]	.453 [11.51]
8608	1.125 [28.56]	1.218 [30.94]	.453 [11.51]
8609	1.250 [31.73]	1.375 [34.93]	.453 [11.51]
8610	1.375 [34.90]	1.500 [38.10]	.453 [11.51]
8611	1.500 [38.08]	1.671 [42.44]	.453 [11.51]

KEYSTONE ELECTRONICS CORP.

www.keyelco.com • ASTORIA, N.Y. 11105-2017 • Tel (718) 956-8900

PART NAME

HOLE PLUG

MATERIAL

NYLON 6/6, BLACK UL 94V-2

FINISH

MATTE FINISH

DRN BY

BOONE

DATE

8.11.97

APP'D

SCALE

1.5X

9.16.11 CHANGE AS PER ECN 11-125

A

TOLERANCES

INCH [MM]

DECIMAL $\pm .015$ [± 0.38]

CODE

ANGULAR $\pm 1^\circ$
UNLESS OTHERWISE SPECIFIED

DWG NO.

C/M

8602-8611

DATE

DESCRIPTION

REV.

X-ON Electronics

Largest Supplier of Electrical and Electronic Components

Click to view similar products for [Conduit Fittings & Accessories](#) category:

Click to view products by [Keystone](#) manufacturer:

Other Similar products are found below :

[M3231GAB](#) [M3231GAC](#) [M3231GAE](#) [M3231GL](#) [M3231GN](#) [M3231GT](#) [VC-937-16/RED](#) [VC-562-16/RED](#) [VC-1125-16/RED](#) [DM0240-1/2A](#) [3408B](#) [G6002](#) [M4340GAE](#) [C2016-P](#) [C2012-P](#) [3407B](#) [1660-P](#) [561-87BG11BLK](#) [561-75BG11B](#) [BVNV-P428](#) [BVBV-P366](#) [2276](#) [2663-P](#) [3405B](#) [C2070-P](#) [3582V](#) [4975](#) [2644-P](#) [2955](#) [M50](#) [2404-P](#) [2291](#) [2133-P](#) [3048F](#) [VC12516](#) [RC156-0500](#) [DM0523-1/2A](#) [1035A](#) [DMS0250-1A](#) [DMS0313-1A](#) [1040A](#) [1050A](#) [R1/8A](#) [DMPC0490-1/2A](#) [DMPC0521-1/2A](#) [DMPC0552-1/2A](#) [1070A](#) [R1/2A](#) [E1-7/8B](#) [061A](#) [R3/4A](#)