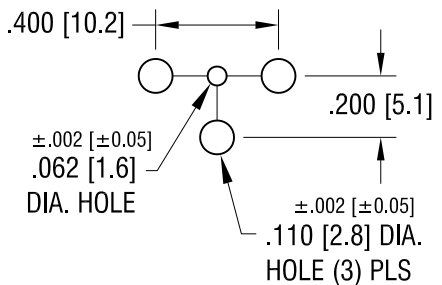
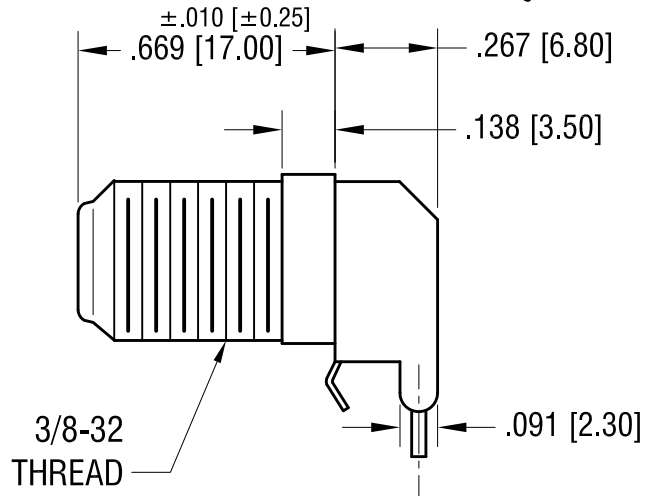
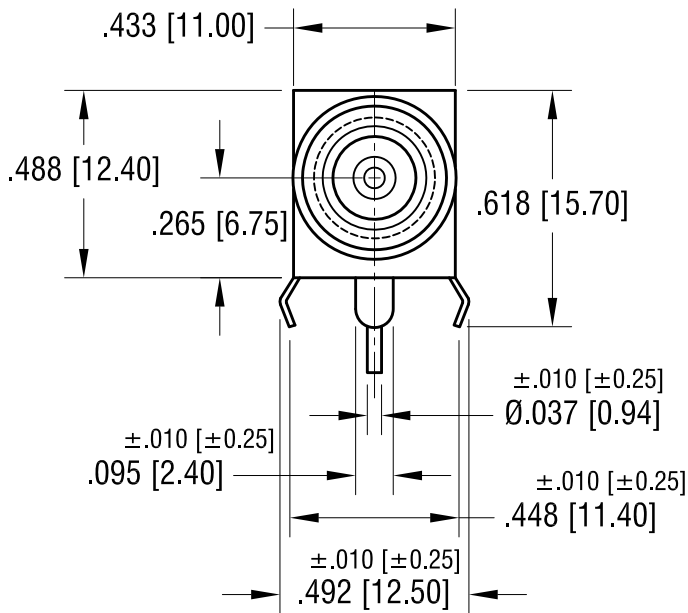
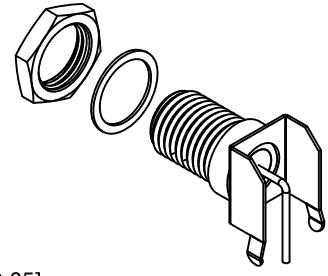


THIS DOCUMENT IS THE PROPERTY OF KEYSTONE ELECTRONICS CORP. AND SHALL NOT BE REPRODUCED, DISTRIBUTED OR USED AS A BASIS FOR MANUFACTURE WITHOUT PRIOR WRITTEN PERMISSION FROM KEYSTONE ELECTRONICS CORP.

MOUNTING DETAIL



ACTUAL SIZE



NOTES:

1. BRACKET:
MAT'L - STEEL, NICKEL PLATE
2. CONTACT:
MAT'L - BRASS, TIN PLATE
3. THREADED BODY: 3/8-32 TH'D
MAT'L - BRASS, NICKEL PLATE
4. INSULATOR:
MAT'L - POLYPROPYLENE (WHITE COLOR)
5. NUT AND WASHER SUPPLIED UNASSEMBLED

3.25.20	PIN WAS .035W x .012 TH'K FLAT INSULATOR WAS NATURAL COLOR CHANGE AS PER ECN 20-027	B
7.02.18	BRACKET WAS TIN PLATE UPDATE DIMENSIONS CHANGE AS PER ECN 18-024	A
DATE	DESCRIPTION	REV.

KEYSTONE ELECTRONICS CORP.			
www.keyelco.com • NEW HYDE PARK, NY 11040 • Tel (516) 328-7500			
PART NAME		RIGHT ANGLE PC 'F' CONNECTOR	
MATERIAL		AS NOTED	
FINISH	AS NOTED	DRN BY	BOONE
		DATE	1.7.97
		APP'D	SCALE
			2X
TOLERANCES	INCH [MM]	CODE	DWG NO.
DECIMAL	± .005 [± 0.13]	C	911
ANGULAR	± 1°		
UNLESS OTHERWISE SPECIFIED			

X-ON Electronics

Largest Supplier of Electrical and Electronic Components

Click to view similar products for [Test Connectors](#) category:

Click to view products by [Keystone](#) manufacturer:

Other Similar products are found below :

[5739](#) [MXHS83QE1000](#) [1691](#) [M08SW](#) [M10X100](#) [4247](#) [MM126037](#) [4726](#) [5747](#) [MM126511](#) [MM126527](#) [2375380-1](#) [100045-045-958](#) [3743](#)
[MM126310](#) [MXHS83QE3000](#) [M19100](#) [4320-01069-0](#) [3302](#) [783538-01](#) [3602](#) [3719](#) [4226](#) [4245](#) [4246](#) [4903](#) [MXFR01JA1000](#) [911](#) [BF-5](#)
[M19201](#) [MM126317](#) [MM126515](#) [MM126518](#) [MM126526](#) [MM126711](#) [MM126714](#) [MM126715](#) [MXHS83QH3000](#) [BF-1](#) [BF-3](#) [BS-1](#)
[A9663](#) [3316](#) [3603](#) [3862-0](#) [3862-0#](#) [4115](#) [4655](#) [5130](#) [5532](#)