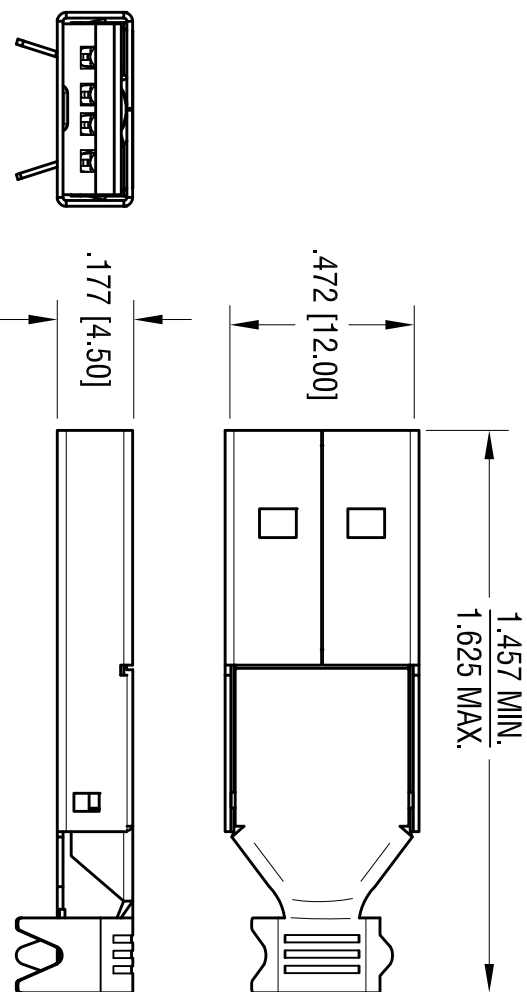
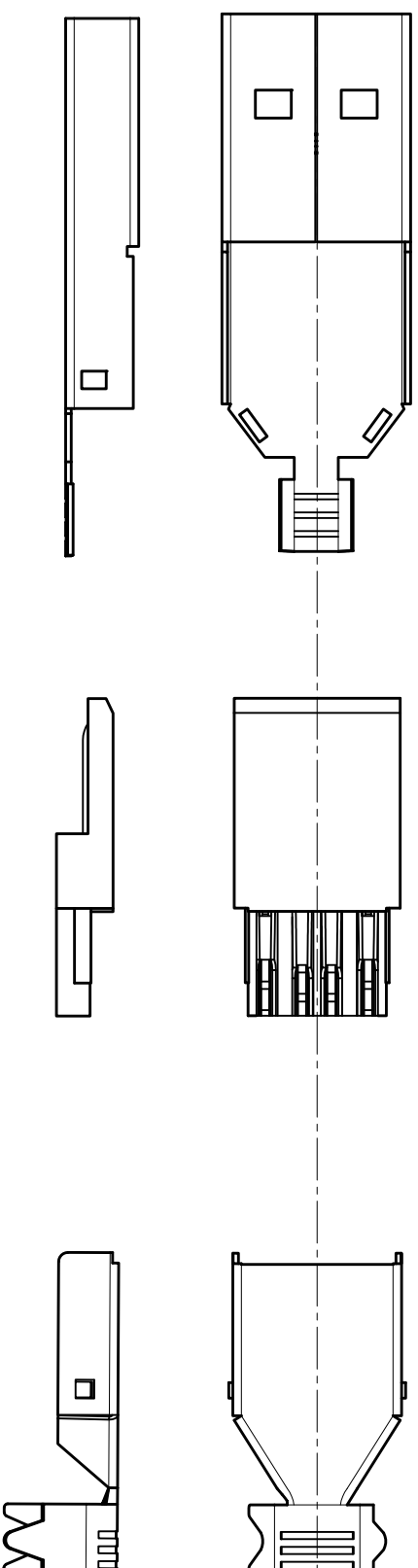


DATE	DESCRIPTION	REV.
4.14.00	CHANGE AS PER ECN 00-024	C
6.8.05	CHANGE AS PER ECN 056-035	D
6.30.08	CHANGE AS PER ECN 08-116	E
12.17.09	CHANGE AS PER ECN 09-191	F
12.21.12	CHANGE AS PER ECN 12-162	G
12.14.17	CHANGE AS PER ECN 17-076	H
7.07.20	CHANGE AS PER ECN 20-065	K

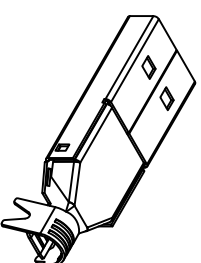


FRONT SHELL

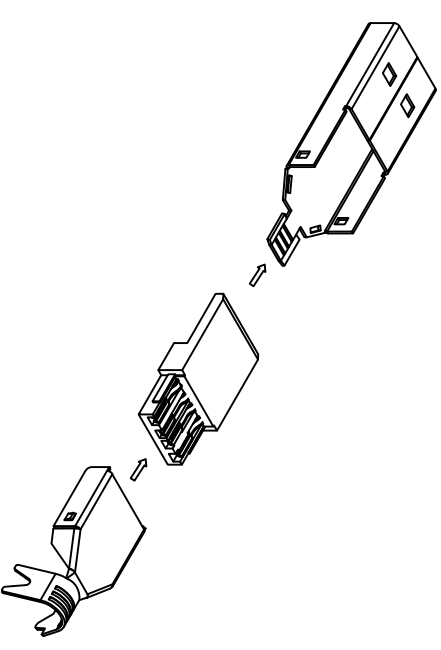
INSULATOR BODY



REAR SHELL



ACTUAL SIZE



**KEYSTONE ELECTRONICS CORP.**

www.keystone.com • NEW HYDE PARK, NY 11040 • Tel (516) 328-7500

PART NAME

USB-A-TYPE PLUG

MATERIAL

AS NOTED

FINISH

AS NOTED

TOLERANCES	INCH	[MM]	CODE	DWG NO.
DECIMAL	± .010	[± 0.25 ]	C	
ANGULAR	± 1°			

UNLESS OTHERWISE SPECIFIED

DRN BY	DATE
BOONE	6.18.98

APP'D	SCALE
	2X

925

- Notes:
- Materiall: Shell: Mat#l- Steel
  - Finish: Nickel plate, over Copper Plate
  - Insulator: PBT
  - Contacts: Bronze
  - Finish: Contact Area: Gold Plate over Nickel Plate
  - on Solder Tail: Tin Plate over Nickel Plate

## X-ON Electronics

Largest Supplier of Electrical and Electronic Components

*Click to view similar products for [USB Connectors](#) category:*

*Click to view products by [Keystone](#) manufacturer:*

Other Similar products are found below :

[65-647-8-BK-BU](#) [950](#) [E8144-B01021-L](#) [A-USB A-LP-SMT-C](#) [A-USB B-TOP-C](#) [MUSBA511N5](#) [MUSBD11135](#) [217450-1](#) [CA 6 W LD](#)  
[KMBVX-TH-5S-B30](#) [896-30-004-00-000000](#) [KUSBVX-BS1N-W30](#) [KUSBX-AP-KIT-SCBLK](#) [KUSBX-AS2N-W](#) [KUSBX-SMT2AP1S-W](#)  
[KUSBX-SMT2AP1S-W30](#) [935](#) [957](#) [30-498-6](#) [17-210051](#) [1734082-1](#) [30-1574](#) [30-470](#) [30-489](#) [30-541](#) [30-572-3](#) [MAB 8 SN V](#) [A-USB A-](#)  
[2P-C](#) [MIKROE-1451](#) [USBFTV2PEM2G](#) [USBFTVC6ZN](#) [KUSBX-AS2N-W30](#) [KUSBX-SLAS1N-W](#) [KUSBX-SMT-AS1N-W30](#) [4689-1](#) [1-](#)  
[1734084-2](#) [E8110-001-01](#) [MUSBA81130](#) [33UBARS1-04SW11](#) [33UBAR-04SW11](#) [USBF21ZNSCC](#) [USBBFTV6ZC](#) [10135326-001LF](#)  
[M9177/3-1](#) [USB-A-S-F-B-VT](#) [925](#) [4198](#) [690-024-633-031](#) [KUSBEX-BSFS1N-W](#) [USBFTVC6MRG](#)