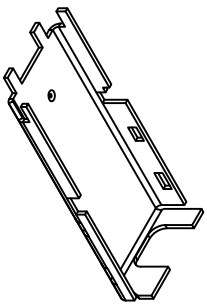
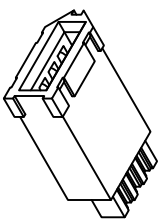


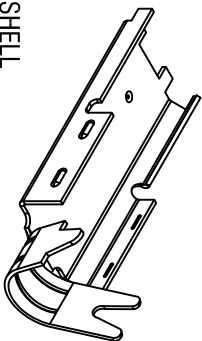
DATE	DESCRIPTION	REV.
8.9.99	CHANGE AS PER ECN 99-054	A
6.7.05	CHANGE AS PER ECN 05-030	B
12.08.10	CHANGE AS PER ECN 10-085	C
3.11.16	CHANGE AS PER ECN 16-038	D



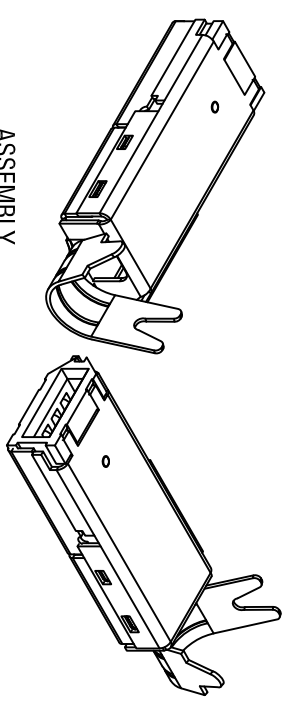
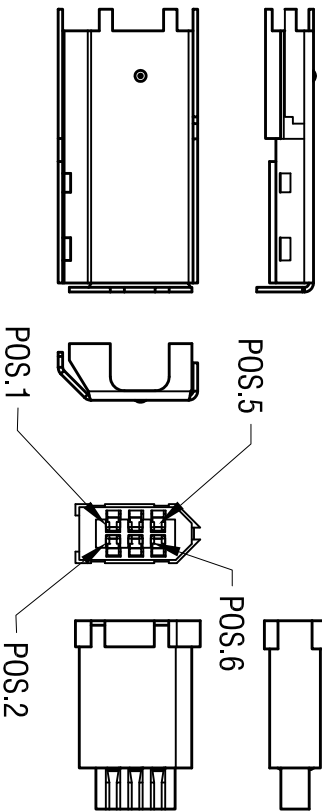
FRONT SHELL



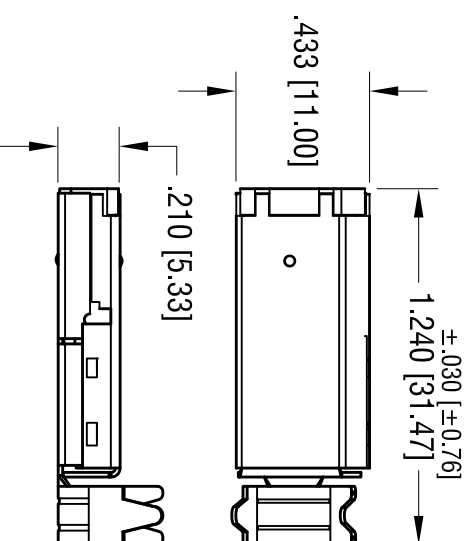
INNER HOUSING / TERMINALS



REAR SHELL



ASSEMBLY



Notes:

Shell: Mat'l: Steel,

Finish: Nickel Plate over Copper.

Insulator: Mat'l: Thermoplastic UL 94V-0

Contacts: Mat'l: Bronze

Finish: Gold Plate over Nickel Plate
on Contact Area.

Tin Plate over Nickel Plate on Solder Tail.

THIS DOCUMENT IS THE PROPERTY OF
KEYSTONE ELECTRONICS CORP. AND
SHALL NOT BE REPRODUCED, DISTRIBUTED
OR USED AS A BASIS FOR MANUFACTURE
WITHOUT PRIOR WRITTEN PERMISSION
FROM KEYSTONE ELECTRONICS CORP.

KEYSTONE ELECTRONICS CORP.			
www.keystone.com • ASTORIA, N.Y. 11105-2017 • Tel (718) 956-8900			
PART NAME			
IEEE 1394 FIREWIRE PLUG			
MATERIAL			
AS NOTED			
FINISH		AS NOTED	
TOLERANCES	INCH	[MM]	CODE
DECIMAL	± .010	[± 0.25]	C
ANGULAR	± 1°		
UNLESS OTHERWISE SPECIFIED			
DRN BY	BOONE	DATE	5.22.98
APP'D		SCALE	1.5X
DWG NO.		928	

X-ON Electronics

Largest Supplier of Electrical and Electronic Components

Click to view similar products for [IEEE 1394 Connectors](#) category:

Click to view products by [Keystone](#) manufacturer:

Other Similar products are found below :

[EHFF2](#) [PX0485/BK](#) [EHFF2B](#) [EHFWX2BX](#) [53460-0619](#) [3E106-0220KV](#) [1734290-2](#) [53460-0629](#) [53462-0629](#) [NA1394-6-W](#) [5788516-1](#)
[3E306-3200-008](#) [FWF21NSCC](#) [FWFODE](#) [FWFTV22G](#) [FWFTVC2G](#) [FWFTVC2N](#) [JE14](#) [JE18](#) [PX0480/BK](#) [928](#) [929](#) [930](#) [NA1394-6-W-B](#)
[EHFW800X2](#) [5787956-1](#) [PX0419](#) [PX0847](#) [693-006-699-003](#) [45740-0001](#) [53460-0639](#) [53462-0001](#) [53984-0681](#) [EHFW800X2B](#)
[EHFW800X2PKG](#) [1734290-1](#)