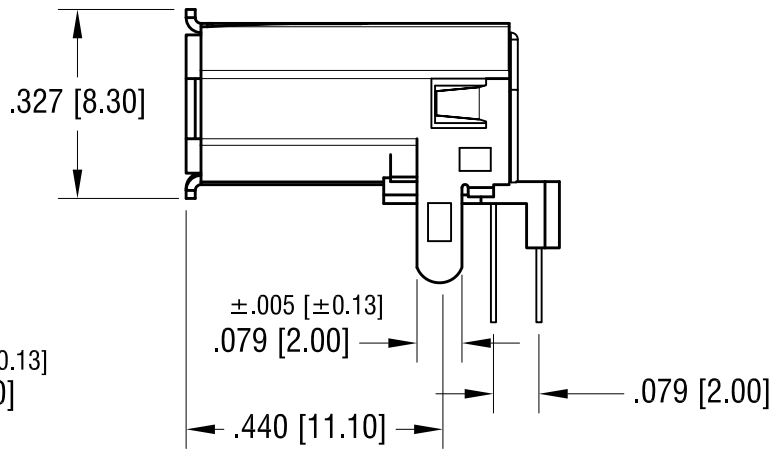
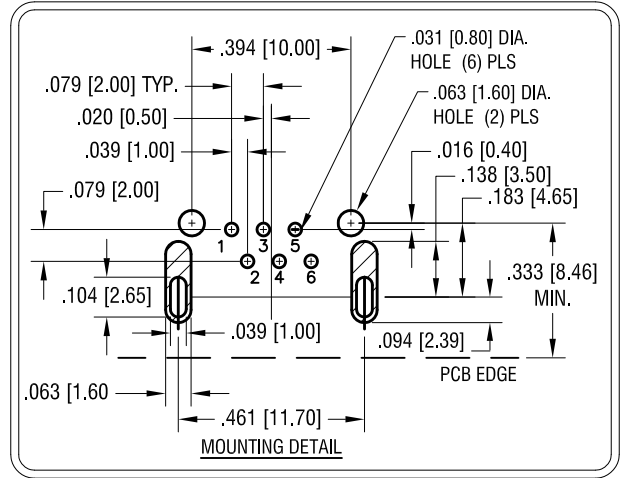
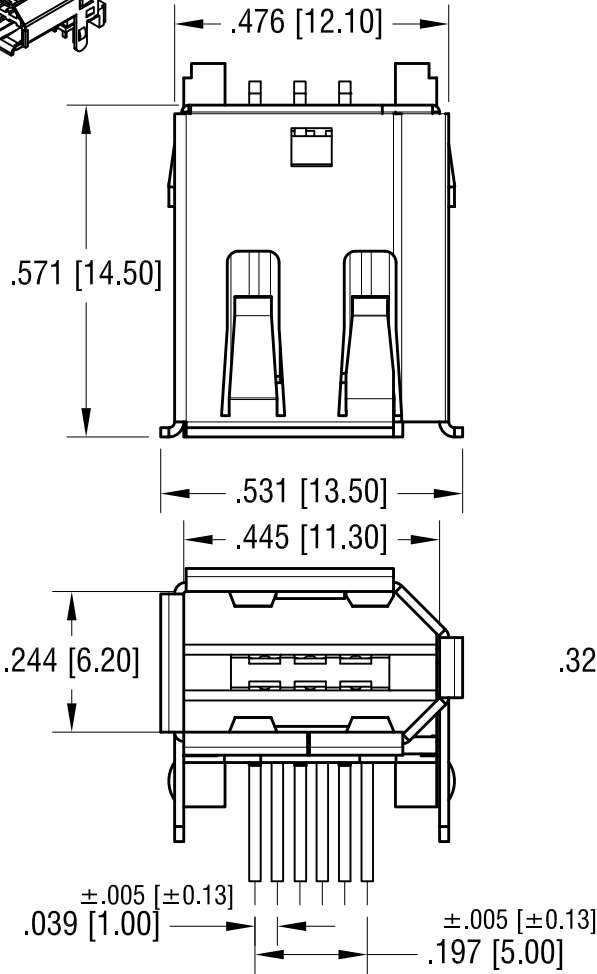
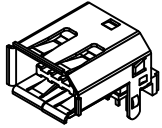


THIS DOCUMENT IS THE PROPERTY OF KEYSTONE ELECTRONICS CORP. AND SHALL NOT BE REPRODUCED, DISTRIBUTED OR USED AS A BASIS FOR MANUFACTURE WITHOUT PRIOR WRITTEN PERMISSION FROM KEYSTONE ELECTRONICS CORP.

ACTUAL SIZE



NOTE:

1. SHELL: MAT'L- STEEL
FINISH- TIN PLATE, OVER NICKEL PLATE
2. INSULATOR: MAT'L- THERMOPLASTIC, UL94V-0
3. CONTACT: MAT'L- PHOSPHOR BRONZE
FINISH ON CONTACT AREAS-
GOLD PLATE, OVER NICKEL PLATE
FINISH ON SOLDER TAIL-
TIN PLATE, OVER NICKEL PLATE

4. ELECTRICAL SPECIFICATIONS:

- RATED VOLTAGE- 30V AC (rms)
- CONTACT CURRENT RATING: 1A MAX.
- CONTACT CURRENT RESISTANCE: 30 millioms MAX,
- INSULATION RESISTANCE: 1000 Megohms Min.
- DIELECTRIC WITHSTANDING: .750V AC
- OPERATING TEMPERATURE: 32° [0°C] TO 104° [40°C]

KEYSTONE ELECTRONICS CORP.

www.keyelco.com • ASTORIA, N.Y. 11105-2017 • Tel (718) 956-8900

PART NAME

IEEE 1394 'FIREWIRE' HORIZONTAL SOCKET

MATERIAL

AS NOTED

FINISH

AS NOTED

DRN BY

BOONE

DATE

7.1.99

APP'D

SCALE

3X

TOLERANCES

INCH [MM]

DECIMAL

±.010 [±0.25]

ANGULAR

± 1°

UNLESS OTHERWISE SPECIFIED

CODE

C

DWG NO.

929

5.19.16	CHANGE AS PER ECN 16-059	B
6.7.05	CHANGE AS PER ECN 05-031	A
DATE	DESCRIPTION	REV.

X-ON Electronics

Largest Supplier of Electrical and Electronic Components

Click to view similar products for [IEEE 1394 Connectors](#) category:

Click to view products by [Keystone](#) manufacturer:

Other Similar products are found below :

[EHFF2](#) [PX0485/BK](#) [EHFF2B](#) [EHFWX2BX](#) [3E106-2230KV](#) [53460-0619](#) [3E106-0220KV](#) [1734290-2](#) [53460-0629](#) [53462-0629](#) [NA1394-6-W](#) [5788516-1](#) [3E306-3200-008](#) [FWF21NSCC](#) [FWFODE](#) [FWFTV22G](#) [FWFTVC2G](#) [FWFTVC2N](#) [JE14](#) [JE18](#) [PX0480/BK](#) [928](#) [929](#) [930](#)
[NA1394-6-W-B](#) [EHFW800X2](#) [5787956-1](#) [PX0419](#) [PX0847](#) [693-006-699-003](#) [45740-0001](#) [53460-0639](#) [53462-0001](#) [53984-0681](#)
[EHFW800X2B](#) [EHFW800X2PKG](#) [1734290-1](#)