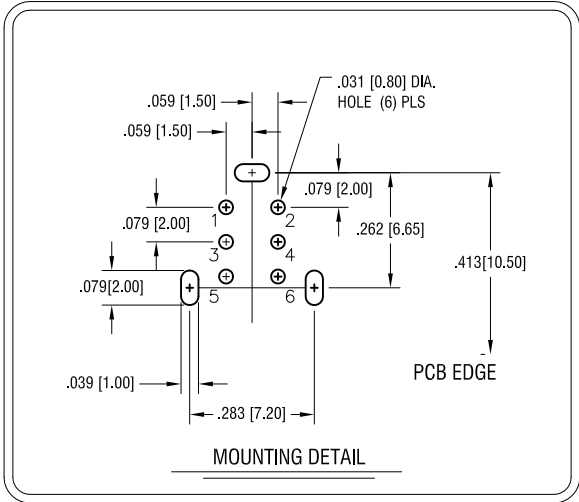
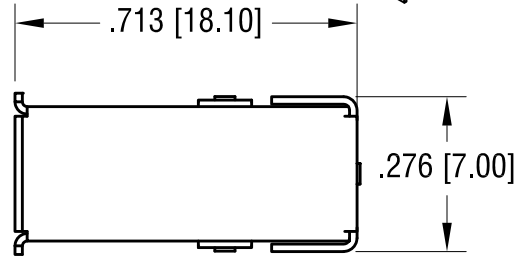
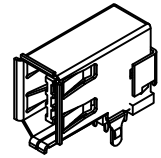
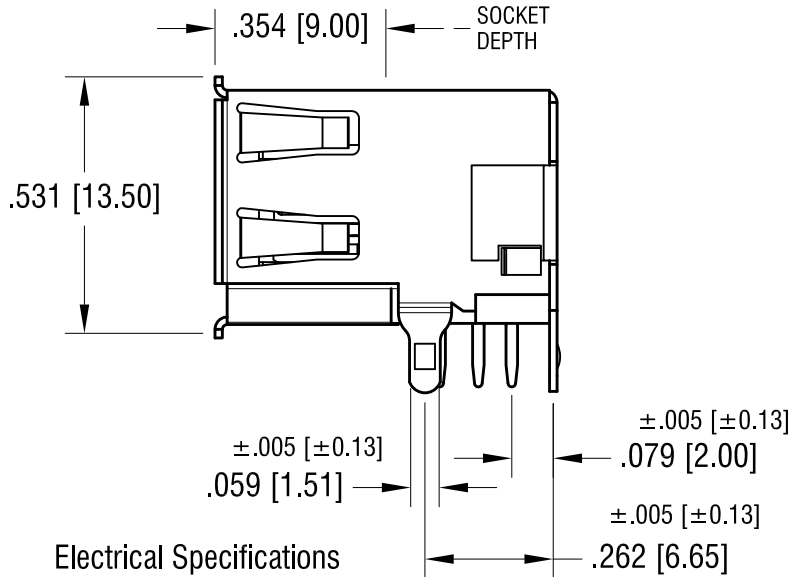
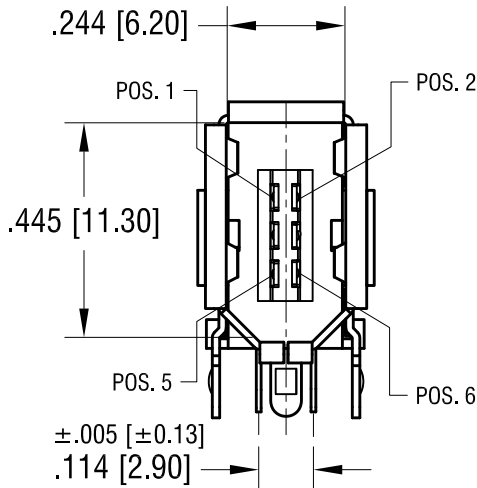


THIS DOCUMENT IS THE PROPERTY OF KEYSTONE ELECTRONICS CORP. AND SHALL NOT BE REPRODUCED, DISTRIBUTED OR USED AS A BASIS FOR MANUFACTURE WITHOUT PRIOR WRITTEN PERMISSION FROM KEYSTONE ELECTRONICS CORP.

**ACTUAL SIZE**



MOUNTING DETAIL



**Notes:**

- Shell: Mat'l: Phosphor Bronze,
- Finish: Tin Plate over Nickel Plate.
- Insulator: Mat'l: Thermoplastic UL 94V-0
- Contacts: Mat'l: Phosphor Bronze
- Finish: Gold Plate over Nickel Plate on Contact Area. Tin Plate over Nickel Plate on Solder Tail.

- Electrical Specifications**
- Rated Voltage: 30V AC (rms)
  - Contact Current Rating: 1A Max.
  - Contact Resistance: 30 milliohms Max.
  - Insulation Resistance: 1000 Megohms Min.
  - Dielectric Withstanding: 750V AC
  - Operating Temperature: 32° [0°C] to 104° [40°C]

6.7.05	CHANGE AS PER ECN 05-031	A
DATE	DESCRIPTION	REV.

<b>KEYSTONE ELECTRONICS CORP.</b>			
www.keyelco.com • NEW HYDE PARK, NY 11040 • Tel (516) 328-7500			
PART NAME			
IEEE 1394 THRU-HOLE UP-RIGHT SOCKET			
MATERIAL			
AS NOTED			
FINISH		DRN BY	DATE
AS NOTED		BOONE	7.1.99
		APP'D	SCALE
			2.5X
TOLERANCES	INCH [MM]	CODE	DWG NO.
DECIMAL	± .010 [± 0.25]	C	<b>930</b>
ANGULAR	± 1°		
UNLESS OTHERWISE SPECIFIED			

## X-ON Electronics

Largest Supplier of Electrical and Electronic Components

*Click to view similar products for [IEEE 1394 Connectors](#) category:*

*Click to view products by [Keystone](#) manufacturer:*

Other Similar products are found below :

[EHFF2](#) [PX0485/BK](#) [EHFF2B](#) [EHFWX2BX](#) [53460-0619](#) [3E106-0220KV](#) [1734290-2](#) [53460-0629](#) [53462-0629](#) [NA1394-6-W](#) [5788516-1](#)  
[3E306-3200-008](#) [FWF21NSCC](#) [FWFODE](#) [FWFTV22G](#) [FWFTVC2G](#) [FWFTVC2N](#) [JE14](#) [JE18](#) [PX0480/BK](#) [928](#) [929](#) [930](#) [NA1394-6-W-B](#)  
[EHFW800X2](#) [5787956-1](#) [PX0419](#) [PX0847](#) [693-006-699-003](#) [45740-0001](#) [53460-0639](#) [53462-0001](#) [53984-0681](#) [EHFW800X2B](#)  
[EHFW800X2PKG](#) [1734290-1](#)