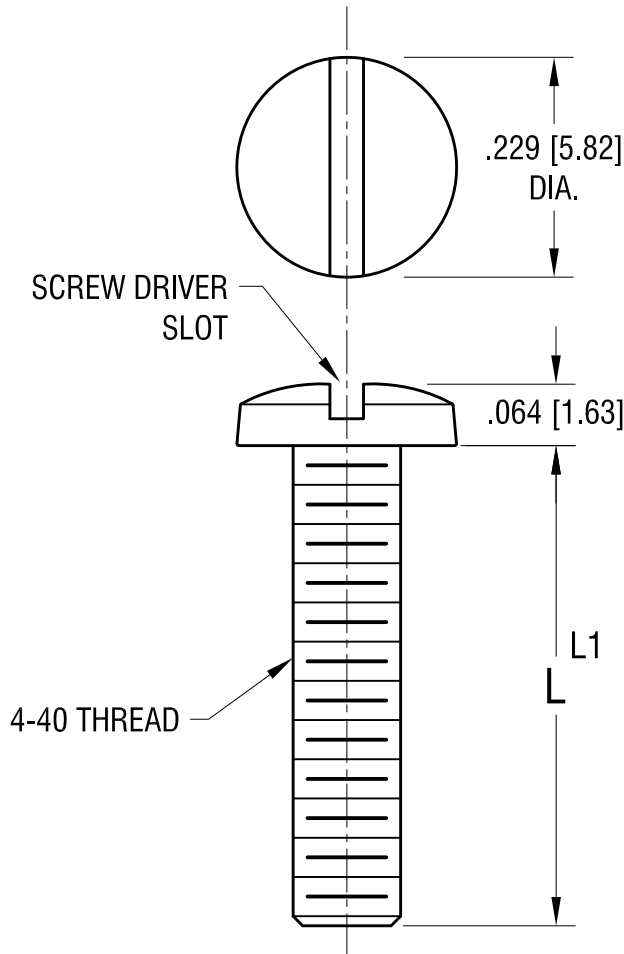


THIS DOCUMENT IS THE PROPERTY OF  
KEYSTONE ELECTRONICS CORP. AND  
SHALL NOT BE REPRODUCED, DISTRIBUTED  
OR USED AS A BASIS FOR MANUFACTURE  
WITHOUT PRIOR WRITTEN PERMISSION  
FROM KEYSTONE ELECTRONICS CORP.



| PART NO. | 'L' DIM.      | 'L1' TOL. +0.0 |
|----------|---------------|----------------|
| 9400     | .250 [6.25]   | -.020 [-0.50]  |
| 9401     | .375 [9.53]   |                |
| 9402     | .500 [12.70]  |                |
| 9403     | .625 [15.88]  | -.030 [-0.76]  |
| 9404     | .750 [19.05]  |                |
| 9405     | 1.000 [25.40] |                |

**KEYSTONE ELECTRONICS CORP.**

www.keyelco.com • ASTORIA, N.Y. 11105-2017 • Tel (718) 956-8900

|                            |                 |                         |           |
|----------------------------|-----------------|-------------------------|-----------|
| PART NAME                  |                 | 4-40 BINDING HEAD SCREW |           |
| MATERIAL                   |                 | STEEL                   |           |
| FINISH                     |                 | DRN BY                  | DATE      |
| ZINC PLATE                 |                 | BOONE                   | 3.1.04    |
|                            |                 | APP'D                   | SCALE     |
|                            |                 |                         | 5X        |
| TOLERANCES                 | INCH [MM]       | CODE                    | DWG NO.   |
| DECIMAL                    | ± .010 [± 0.25] | C                       | 9400-9405 |
| ANGULAR                    | ± 1°            |                         |           |
| UNLESS OTHERWISE SPECIFIED |                 |                         |           |

|      |             |      |
|------|-------------|------|
| DATE | DESCRIPTION | REV. |
|------|-------------|------|

## X-ON Electronics

Largest Supplier of Electrical and Electronic Components

*Click to view similar products for [Screws & Fasteners](#) category:*

*Click to view products by [Keystone](#) manufacturer:*

Other Similar products are found below :

[5721-1440-1/4-SS](#) [593503FX](#) [0098.0094](#) [0098.9206](#) [0098.9219](#) [0098.9262](#) [596-2114-013](#) [59781-6](#) [0098.0026](#) [0098.9210](#) [0098.9212](#) [60227-01](#) [60227-04](#) [60227-08](#) [60687-01](#) [LOCK WASHER Black](#) [62153-03](#) [62153-11](#) [M316-KSSTMCZ100](#) [M3440-SS](#) [M3442-SS](#) [M3448-SS](#) [6292-1](#) [6-306105-9](#) [6-306131-4](#) [690432-1](#) [699161-000](#) [7230-3](#) [7244](#) [7248-1](#) [7248-2](#) [745564-1](#) [F1209](#) [751-00001](#) [7680](#) [809704-1](#) [8700](#) [8860220](#) [9047](#) [9521](#) [992326-6](#) [992763-3](#) [1-18024-0](#) [1-18028-2](#) [A168P1](#) [A495P1](#) [1-24921-1](#) [125416-1](#) [1260](#) [13-0036](#) [1301810148](#)