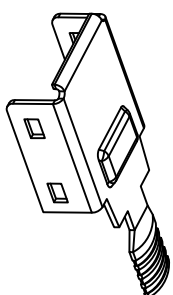
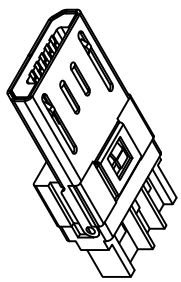
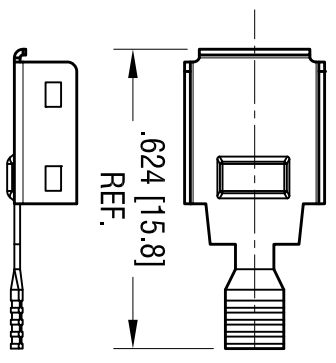


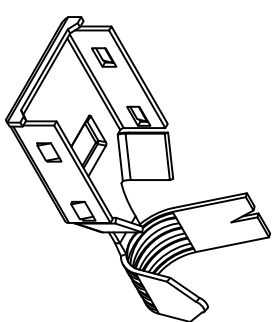
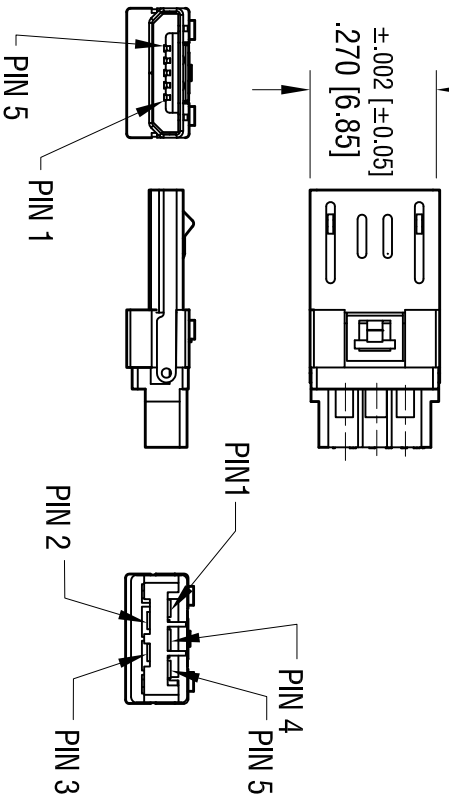
DATE	DESCRIPTION	REV.
2.25.10	CHANGE AS PER ECN 10-017	A
6.01.11	CHANGE AS PER ECN 11-077	B
11.05.12	CHANGE AS PER ECN 12-155	C
2.20.13	CHANGE AS PER ECN 13-019 ADD PIN NUMERATION	D
10.31.19	CHANGE AS PER ECN 19-082	E



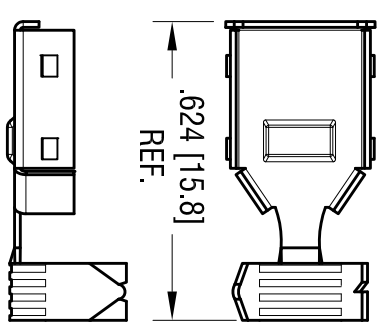
Top Shell



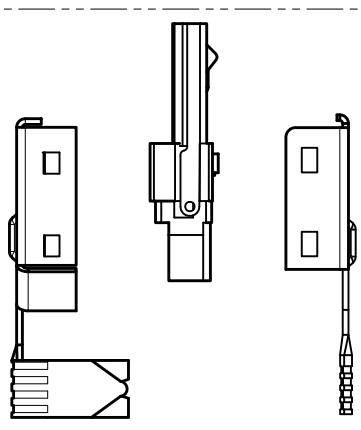
Insulator Body



Bottom Shell



Supplied Unassembled



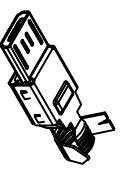
Notes:

Material:

- Shell: Steel, Nickel Plate.
- Insulator: PBT, UL 94-V0 (Color Black)
- Contacts: Phosphor Bronze
- Finish:
- Contact Area: Gold Plate over Nickel Plate
- on Solder Tail: Tin Plate over Nickel Plate

Electrical Specifications

- Rated Voltage: 30V AC (rms)
- Contact Current Rating: 1.5 Amp
- Contact Resistance: 30 milliohms Max.
- Dielectric Withstanding: 100V AC
- Operating Temperature: -30°C to 85°C



ACTUAL SIZE

THIS DOCUMENT IS THE PROPERTY OF KEYSTONE ELECTRONICS CORP. AND SHALL NOT BE REPRODUCED, DISTRIBUTED OR USED AS A BASIS FOR MANUFACTURE WITHOUT PRIOR WRITTEN PERMISSION FROM KEYSTONE ELECTRONICS CORP.

KEYSTONE ELECTRONICS CORP.

www.keystone.com • NEW HYDE PARK, NY 11040 • Tel (516) 328-7500

PART NAME

MICRO UCB PLUG

MATERIAL

AS NOTED

FINISH

AS NOTED

TOLERANCES	INCH	[MM]	CODE	DWG NO.
DECIMAL	± .010	[± 0.25]	C	941
ANGULAR	± 1°			

DRN BY	DATE
NT	10.31.19

APPD	SCALE
	2.5X

X-ON Electronics

Largest Supplier of Electrical and Electronic Components

Click to view similar products for [USB Connectors](#) category:

Click to view products by [Keystone](#) manufacturer:

Other Similar products are found below :

[65-647-8-BK-BU](#) [950](#) [E8144-B01021-L](#) [A-USB A-LP-SMT-C](#) [A-USB B-TOP-C](#) [MUSBA511N5](#) [MUSBD11135](#) [217450-1](#) [CA 6 W LD](#)
[KMBVX-TH-5S-B30](#) [896-30-004-00-000000](#) [KUSBVX-BS1N-W30](#) [KUSBX-AP-KIT-SCBLK](#) [KUSBX-AS2N-W](#) [KUSBX-SMT2AP1S-W](#)
[KUSBX-SMT2AP1S-W30](#) [935](#) [957](#) [30-498-6](#) [17-210051](#) [1734082-1](#) [30-1574](#) [30-470](#) [30-489](#) [30-541](#) [30-572-3](#) [MAB 8 SN V](#) [A-USB A-](#)
[2P-C](#) [MIKROE-1451](#) [USBFTV2PEM2G](#) [USBFTVC6ZN](#) [KUSBX-AS2N-W30](#) [KUSBX-SLAS1N-W](#) [KUSBX-SMT-AS1N-W30](#) [4689-1](#) [1-](#)
[1734084-2](#) [E8110-001-01](#) [MUSBA81130](#) [33UBARS1-04SW11](#) [33UBAR-04SW11](#) [USBF21ZNSCC](#) [USBBFTV6ZC](#) [10135326-001LF](#)
[M9177/3-1](#) [USB-A-S-F-B-VT](#) [925](#) [4198](#) [690-024-633-031](#) [KUSBEX-BSFS1N-W](#) [USBFTVC6MRG](#)