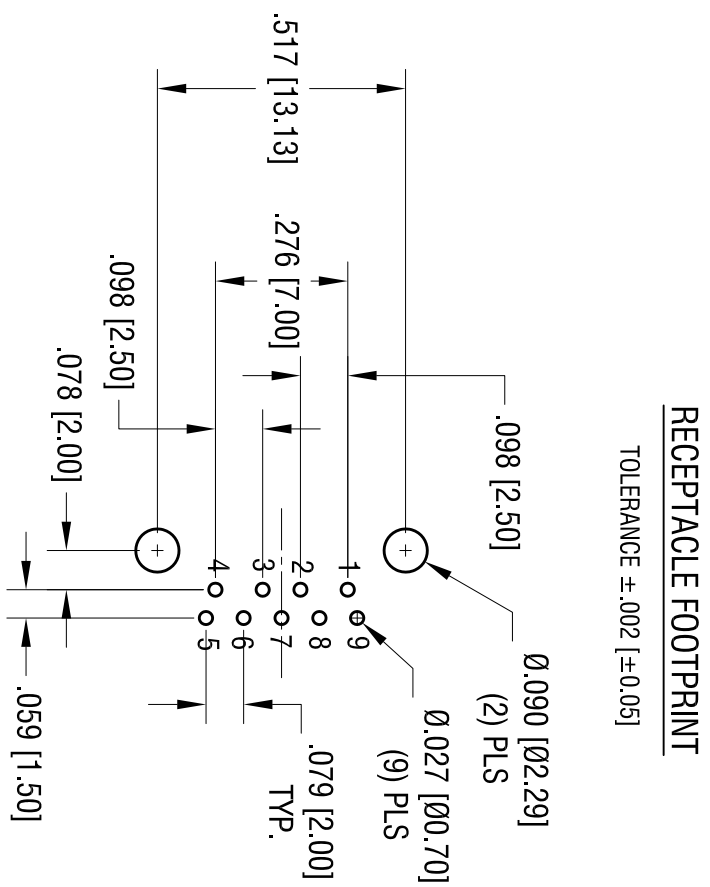
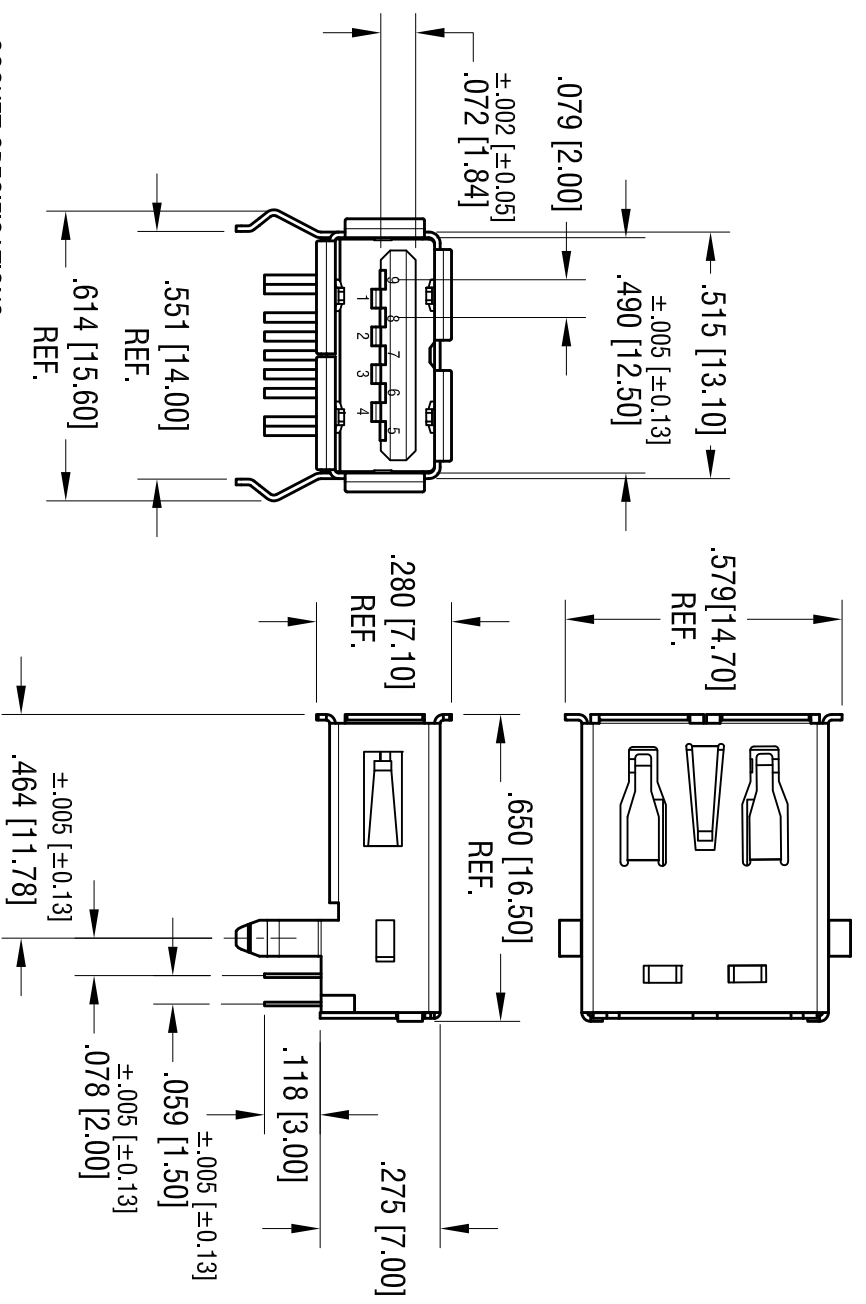


DATE	DESCRIPTION	REV.
5.31.11	CHANGE AS PER ECN 11-073	A



RECEPTACLE FOOTPRINT

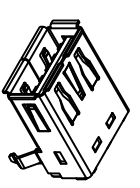
TOLERANCE ±.002 [±0.05]

SOCKET SPECIFICATIONS:

- SHELL: MAT'L- BRASS, NICKEL PLATE
- CONTACT: MAT'L-.008 [0.20] PHOSPHOR BRONZE AND .008 [0.20] BRASS
- INSULATION: MAT'L- THERMOPLASTIC (BLUE COLOR), UL 94V-0
- FINISH- GOLD FLASH OVER NICKEL ON CONTACT AREA
- TIN OVER NICKEL ON SOLDER TAILS

ELECTRICAL CHARACTERISTICS:

- CONTACT RESISTANCE: 30m Ω max.
- INSULATION RESISTANCE: 1000 mega Ω min.
- DIELECTRIC VOLTAGE : 1.8 Amp AT 250 V AC MIN.
- OPERATING TEMPERATURE: -13°F (-25°C) TO 176°F (+80°C)
- MECHANICAL CHARACTERISTICS:
- INSERTION FORCE: 35N MAX.
- EXTRACTION FORCE: 10 N MIN. , AND 8N MIN. AFTER THE SPECIFIED



ACTUAL SIZE

THIS DOCUMENT IS THE PROPERTY OF KEYSTONE ELECTRONICS CORP. AND SHALL NOT BE REPRODUCED, DISTRIBUTED OR USED AS A BASIS FOR MANUFACTURE WITHOUT PRIOR WRITTEN PERMISSION FROM KEYSTONE ELECTRONICS CORP.

KEYSTONE ELECTRONICS CORP.			
www.keystoneco.com • NEW HYDE PARK, NY 11040 • Tel (516) 328-7500			
PART NAME		USB TYPE A RECEPTICLE	
MATERIAL		AS NOTED	
FINISH		AS NOTED	
TOLERANCES	INCH	[MM]	CODE
DECIMAL	± .010	[± 0.25]	C
ANGULAR	± 1°		
UNLESS OTHERWISE SPECIFIED			
DRN BY	NT	DATE	4.06.10
APPD		SCALE	2.5X
DWG NO.		945	

X-ON Electronics

Largest Supplier of Electrical and Electronic Components

Click to view similar products for [USB Connectors](#) category:

Click to view products by [Keystone](#) manufacturer:

Other Similar products are found below :

[65-647-8-BK-BU](#) [950](#) [E8144-B01021-L](#) [A-USB A-LP-SMT-C](#) [A-USB B-TOP-C](#) [MUSBA511N5](#) [MUSBD11135](#) [217450-1](#) [CA 6 W LD](#)
[KMBVX-TH-5S-B30](#) [896-30-004-00-000000](#) [KUSBVX-BS1N-W30](#) [KUSBX-AP-KIT-SCBLK](#) [KUSBX-AS2N-W](#) [KUSBX-SMT2AP1S-W](#)
[KUSBX-SMT2AP1S-W30](#) [935](#) [957](#) [30-498-6](#) [17-210051](#) [1734082-1](#) [30-1574](#) [30-470](#) [30-489](#) [30-541](#) [30-572-3](#) [MAB 8 SN V](#) [A-USB A-](#)
[2P-C](#) [MIKROE-1451](#) [USBFTV2PEM2G](#) [USBFTVC6ZN](#) [KUSBX-AS2N-W30](#) [KUSBX-SLAS1N-W](#) [KUSBX-SMT-AS1N-W30](#) [4689-1](#) [1-](#)
[1734084-2](#) [E8110-001-01](#) [MUSBA81130](#) [33UBARS1-04SW11](#) [33UBAR-04SW11](#) [USBF21ZNSCC](#) [USBBFTV6ZC](#) [10135326-001LF](#)
[M9177/3-1](#) [USB-A-S-F-B-VT](#) [925](#) [4198](#) [690-024-633-031](#) [KUSBEX-BSFS1N-W](#) [USBFTVC6MRG](#)