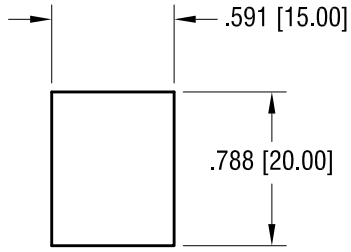
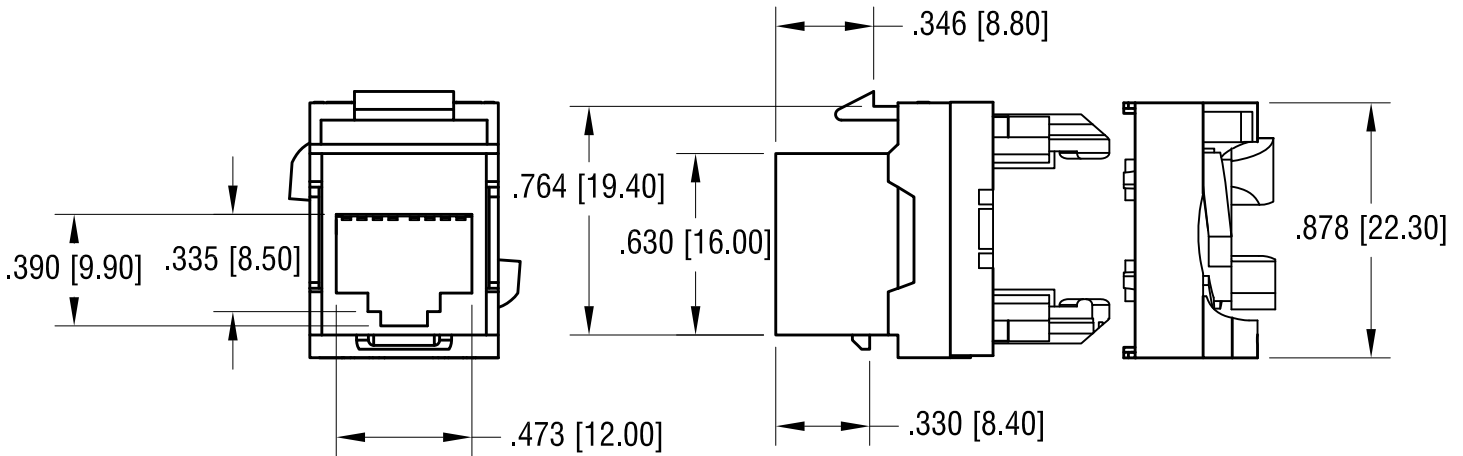
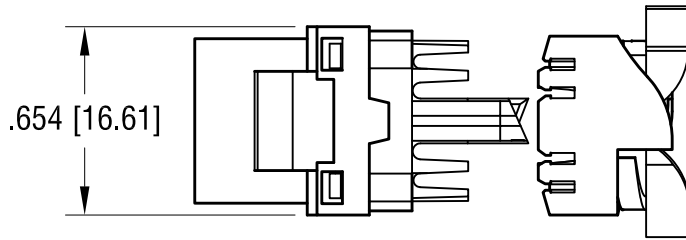
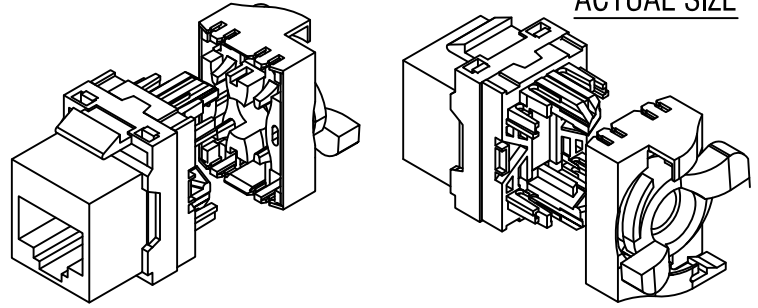


THIS DOCUMENT IS THE PROPERTY OF KEYSTONE ELECTRONICS CORP. AND SHALL NOT BE REPRODUCED, DISTRIBUTED OR USED AS A BASIS FOR MANUFACTURE WITHOUT PRIOR WRITTEN PERMISSION FROM KEYSTONE ELECTRONICS CORP.

PANEL CUTOUT



ACTUAL SIZE



NOTE:

1. HOUSING: MAT'L- PC UL 94V-0
2. INSERT : MAT'L- FLAME RETARDANT ABS UL94V-0
3. CONTACT: MAT'L PHOSPHOR BRONZE FINISH- GOLD PLATE
4. IDC CONTACT: MAT'L- PHOSPHOR BRONZE FINISH- NICKEL PLATE
5. WIRE: 24-26 AWG (8 WIRES)
6. RJ45 CONTACTS: ≥ 750 TIMES
7. IDN LIFE: 250 TIMES MIN.
8. RETENTIVENESS OF INSERTION STRUCTURE: 50N 60 \pm 5s
9. COMPLIANT WITH EIA/TIA SPECIFICATION
10. DUAL COLOR- CODED LABEL FOR BOTH T568A/T568B WIRING SCHEMES

9.02.15	UPDATE SPECIFICATION CHANGE AS PER ECN 15-087	A
DATE	DESCRIPTION	REV.

KEYSTONE ELECTRONICS CORP.			
www.keyelco.com • ASTORIA, N.Y. 11105-2017 • Tel (718) 956-8900			
PART NAME KEYSTONE JACK, CAT 6A UTP TOOLLESS			
MATERIAL AS NOTED			
FINISH AS NOTED		DRN BY NT	DATE 2.12.15
		APP'D	SCALE 1.5X
TOLERANCES INCH [MM]	CODE	DWG NO.	
DECIMAL $\pm .005$ [± 0.13]	C	946	
ANGULAR $\pm 1^\circ$ UNLESS OTHERWISE SPECIFIED			

X-ON Electronics

Largest Supplier of Electrical and Electronic Components

Click to view similar products for [Modular Connectors](#) / [Ethernet Connectors](#) category:

Click to view products by [Keystone](#) manufacturer:

Other Similar products are found below :

[8949-H88/06BLKA/SN](#) [74441-0010/BKN](#) [MP1010RX-1000](#) [MP44RX-1000](#) [PHJ-4P4C-1-V-4](#) [PHP-6P6C-5](#) [GAX-3-66](#) [GAX-8-62](#) [GDCX-PA-66-50](#) [GDCX-PN-64](#) [GDCX-PN-66](#) [GDCX-PN-66-50](#) [GDLX-A-66](#) [GDLX-N-66](#) [GDLX-S-66](#) [GDLX-S-88K](#) [GDTX-S-88-50](#) [GDX-PA-1010](#) [GLX-N-1010M-BLK](#) [GLX-S-88M-BLK](#) [GMX-N-1010](#) [GMX-S-1010](#) [GMX-S-66](#) [GMX-SMT4-N-88](#) [GPX-2-64](#) [GSGX-N-2-88](#) [GSGX-N-4-88](#) [GSX-NS2-88-3.05](#) [GSX-NS2-88-3.05-50](#) [GSX-NS-88-3.68](#) [PT-108A-8C-UL](#) [PT-J951-8C](#) [PTS-J531-8CS-50UL](#) [1-1775629-2](#) [A-2014-0-4](#) [GWLX-S-88-GR](#) [GWLX-S9-88-YG](#) [DC-1021-8-WH-6](#) [1300530003](#) [1324640-4](#) [RJ11FTVC2G](#) [RJ11FTVC2N](#) [RJFTVX2SA1G](#) [132764-001](#) [1413235](#) [MP88X-1000](#) [MPS88RX-5000](#) [MRJR-5481-0F2](#) [E5288-S000K3-L](#) [E5908-15A242-L](#)