

1. Description

The KIA78L05 is monolithic fixed voltage regulator integrated circuit. It is suitable for applications that require supply current up to 100mA.

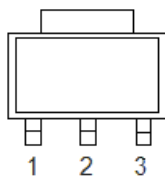
2. Features

- n Output current up to 100mA
- n No external part needed
- n Thermal overload shutdown protection
- n Short circuit current limiting
- n SOT89 package

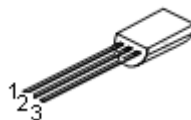
3. Applications

- n Battery-powered circuitry
- n Post regulator for switching power supply

4. Pinning information



SOT-89



TO-92

Pin	Description
1	V _{OUT}
2	GND
3	V _{IN}

5. Maximum ratings

(Ta=25°C, unless otherwise notes)

Parameter	Symbol	Rating	Units
Input voltage	V _{IN}	30	V
Power dissipation	P _D	500	mW
Junction temperature	T _J	0~+125	°C
Operating temperature	T _{OPR}	0~+100	°C
Storage temperature	T _{STG}	-65~+150	°C

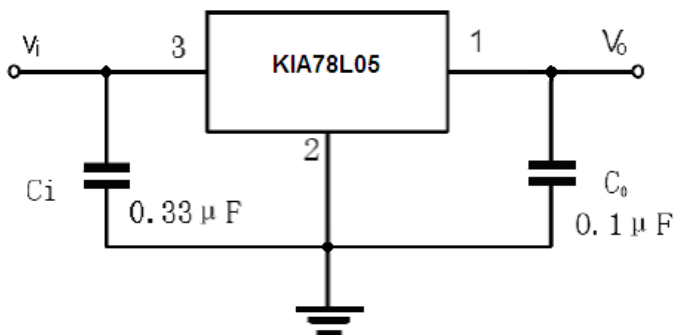
6. Electrical characteristics

(V_{IN}=10V, I_{OUT}=40mA, C_{IN}=0.33uF, C_{OUT}=0.1uF, T_J=25°C, unless otherwise notes)

Parameter	Symbol	Condition	Min	Typ	Max	Unit
Output voltage	V _{OUT}		4.8	5.0	5.2	V
		7.0V ≤ V _{IN} ≤ 20V 1.0mA ≤ I _{OUT} ≤ 40mA	4.75	5.0	5.25	V
		1.0mA ≤ I _{OUT} ≤ 70mA	4.65	5.0	5.30	V
Line regulation	Reg line	7.0V ≤ V _{IN} ≤ 20V	-	29	150	mV
		8.0V ≤ V _{IN} ≤ 20V	-	26	100	mV
Load regulation	Reg load	1.0mA ≤ I _{OUT} ≤ 100mA	-	9.0	60	mV
		1.0mA ≤ I _{OUT} ≤ 40mA	-	5.0	30	mV
Quiescent current	I _Q		-	2.8	6.0	mA
Quiescent current change	ΔI _Q	8.0V ≤ V _{IN} ≤ 20V	-	0.15	1.5	mA
		1.0mA ≤ I _{OUT} ≤ 40mA	-	0.08	0.1	mA
Output noise voltage	V _{ON}	10Hz ≤ f ≤ 100KHz	-	40	-	uV _{rm}
Ripple rejection ratio	RR	10V ≤ V _{IN} ≤ 20V, f=120Hz	40	49	-	dB
Dropout voltage	V _D		-	1.7	-	V

Note1: The maximum steady state usable output current is dependent on input voltage, heat sinking, lead length of the package and copper pattern of PCB.

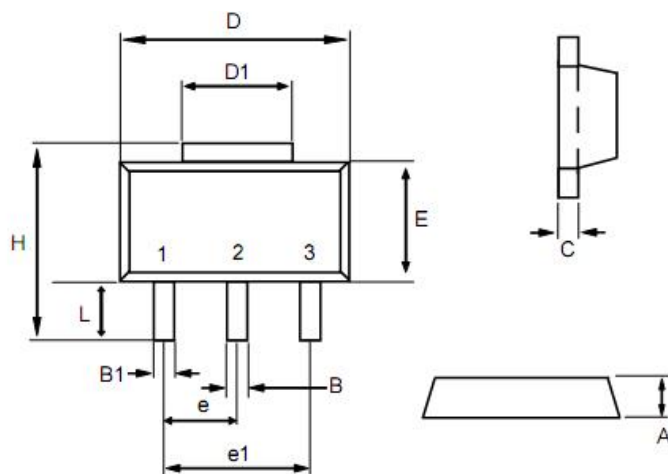
7. Application circuits



Note1: The input voltage must remain typically 1.7V above the output voltage.

Note2: Bypass capacitors are recommended for optimum stability and transient response and should be located as close as possible to the regulators.

8. Package outline



Dim	min	max
A	1.40	1.60
B	0.40	0.56
B1	0.35	0.48
C	0.35	0.44
D	4.40	4.60
D1	1.35	1.83
e	1.50 BSC	
e1	3.00 BSC	
E	2.29	2.60
H	3.75	4.25
L	0.80	1.20

X-ON Electronics

Largest Supplier of Electrical and Electronic Components

Click to view similar products for [Linear Voltage Regulators](#) category:

Click to view products by [KIA](#) manufacturer:

Other Similar products are found below :

[LV56831P-E](#) [LV5684PVD-XH](#) [MCDTSA6-2R](#) [L7815ACV-DG](#) [PQ3DZ53U](#) [LV56801P-E](#) [TLE42794G](#) [L78L05CZ/1SX](#) [L78LR05DL-MA-E](#) [636416C](#) [714954EB](#) [BA033LBSG2-TR](#) [LV5680P-E](#) [L78M15CV-DG](#) [TLS202B1MBV33HTSA1](#) [L79M05T-E](#) [TLS202A1MBVHTSA1](#) [L78LR05D-MA-E](#) [NCV317MBTG](#) [NTE7227](#) [LV5680NPVC-XH](#) [LT1054CN8](#) [MP2018GZD-5-Z](#) [MP2018GZD-33-Z](#) [MIC5281-3.3YMM](#) [RT9078-28GQZ](#) [MC78L06BP-AP](#) [TA48LS05F\(TE85L,F\)](#) [TC47BR5003ECT](#) [TCR2LN12,LF\(S](#) [TCR2LN28,LF\(S](#) [TCR2LN30,LF\(S](#) [TCR3DF295,LM\(CT](#) [TCR3DF40,LM\(CT](#) [BA178M20CP-E2](#) [L78M05TL-TL-E](#) [L78M12ABDT](#) [LR645N3-G-P003](#) [LR645N3-G-P013](#) [ZXTR2005P5-13](#) [SCD7812BTG](#) [TCR3DF335,LM\(CT](#) [TLE42994E V33](#) [ZXTR2008K-13](#) [ZXTR2005K-13](#) [L88R05DL-E](#) [ADP3300ARTZ-2.7RL7](#) [LM120K-15/883](#) [IFX54441LDVXUMA1](#) [LM317D2T-TR](#)