

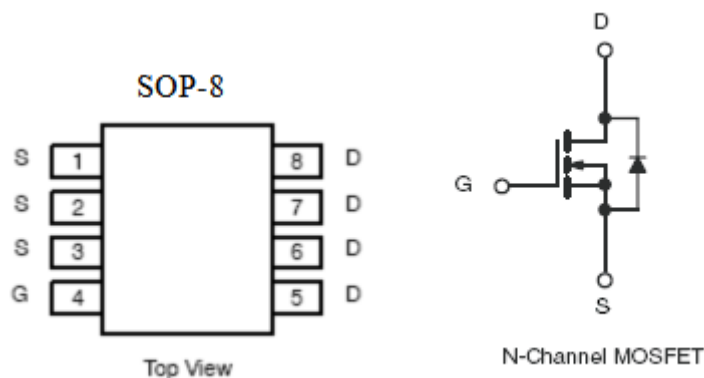
1. Features

- n $R_{DS(on)}=5.5m\Omega$ (typ) @ $V_{GS}=10V$
- n Super low gate charge
- n Green device available
- n Excellent Cdv/dt effect decline
- n Advanced high cell density trench technology

2. Description

The KNE7306A is the high cell density trenched N-ch MOSFETs, which provide excellent RDSON and gate charge for most of the synchronous buck converter applications. The KNE7306A meet the RoHs and Green Product requirement.

3. Symbol



4. Absolute maximum ratings

($T_A=25^{\circ}C$, unless otherwise noted)

Parameter	Symbol	Rating	Units
Drain-source voltage	V_{DSS}	60	V
Gate-source voltage	V_{GS}	± 20	V
Continuous drain current $V_{GS}@10V^1$	I_D	$T_A=25^{\circ}C$	22
		$T_A=100^{\circ}C$	14
Pulsed drain current ²	I_{DM}	130	A
Single pulse avalanche energy ³	EAS	125	mJ
Avalanche current	I_{AS}	50	A
Total power dissipation ⁴	P_D	3.1	W
Junction and storage temperature range	T_J, T_{STG}	-55 to 150	$^{\circ}C$
Thermal resistance-junction to ambient ¹ ($t \leq 10s$)	$R_{\theta JA}$	45	$^{\circ}C/W$
Thermal resistance-junction to ambient ¹ (steady state)	$R_{\theta JA}$	80	$^{\circ}C/W$

5. Electrical characteristics

($T_J=25^{\circ}\text{C}$, unless otherwise noted)

Parameter	Symbol	Test Conditions	Min	Typ	Max	Units
Drain-Source breakdown voltage	BV_{DSS}	$V_{GS}=0V, I_D=-250\mu A$	60	-	-	V
Drain-Source Leakage Current	I_{DSS}	$V_{DS}=60V, V_{GS}=0V,$ $T_J=25^{\circ}\text{C}$	-	-	1	μA
		$V_{DS}=60V, V_{GS}=0V,$ $T_J=55^{\circ}\text{C}$	-	-	5	
Gate-source leakage current	I_{GSS}	$V_{GS}=\pm 20V, V_{DS}=0V$	-	-	± 100	nA
Gate threshold voltage	$V_{GS(th)}$	$V_{DS}=V_{GS}, I_D=250\mu A$	1.2	-	2.5	V
Static drain-source on- resistance ²	$R_{DS(on)}$	$V_{GS}=10V, I_D=10A$	-	5.5	6.5	m Ω
		$V_{GS}=4.5V, I_D=5A$	-	7.0	8.5	
Forward transconductance	g_{FS}	$V_{DS}=5V, I_D=18A$	-	65	-	S
Diode forward voltage ²	V_{SD}	$V_{GS}=0V, I_S=1A, T_J=25^{\circ}\text{C}$	-	-	1.2	V
Total gate charge(10V)	Q_g	$V_{DS}=48V, V_{GS}=10V$ $I_D=18A$	-	75	-	nC
Gate-source charge	Q_{gs}		-	15.5	-	
Gate-drain charge	Q_{gd}		-	20.3	-	
Turn-on delay time	$t_{d(on)}$	$V_{DD}=30V,$ $R_G=3.3\Omega, V_{GS}=10V$ $I_D=18A$	-	18.5	-	ns
Rise time	t_r		-	8.8	-	
Turn-off delay time	$t_{d(off)}$		-	58.8	-	
Fall time	t_f		-	15.8	-	
Input capacitance	C_{iss}	$V_{GS}=0V, V_{DS}=25V$ $F=1.0\text{MHZ}$	-	4006	-	pF
Output capacitance	C_{oss}		-	320	-	
Reverse transfer capacitance	C_{rss}		-	222	-	
Diode characteristics						
Continuous source current ^{1,5}	I_S	$V_G=V_D=0V, \text{Force current}$	-	-	22	A
Pulsed source current ^{2,5}	I_{SM}		-	-	130	A
Reverse recovery time	t_{rr}	$I_F=18A, di/dt=100A/\mu s,$ $T_J=25^{\circ}\text{C}$	-	22.9	-	nS
Reverse recovery charge	Q_{rr}		-	11.6	-	nC

Note:1. The data tested by surface mounted on a 1 inch² FR-4 board with 2OZ copper.

2. The data tested by pulsed, pulse width $\leq 300\mu s$, duty cycle $\leq 2\%$.

3. The EAS data shows Max.rating. The test condition is $V_{DD}=50V, V_{GS}=10V, L=0.1\text{mH}, I_{AS}=50A$.

4. The power dissipation is limited by 150 °C junction temperature.

5. The data is theoretically the same as I_D and I_{DM} , in real applications, should be limited by total power dissipation.

6. Test circuits and waveforms

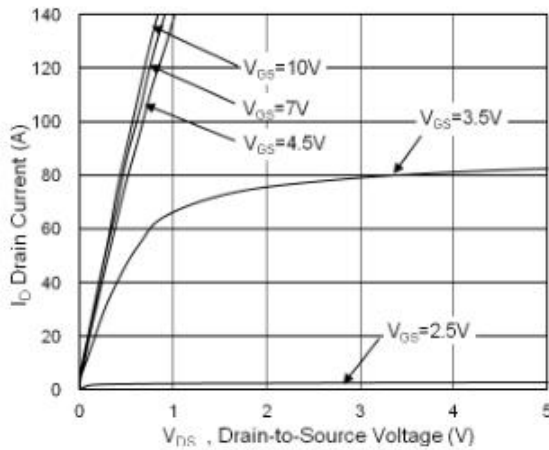


Fig.1 Typical Output Characteristics

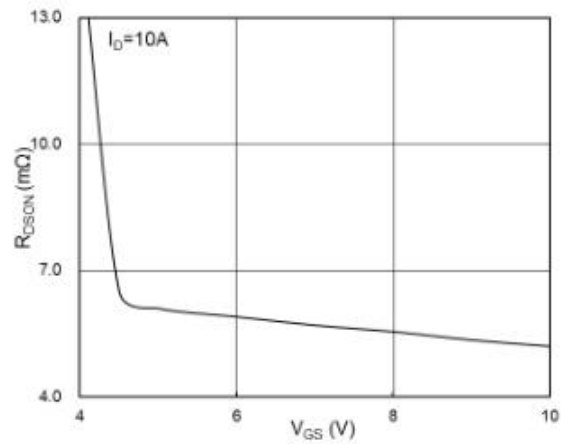


Fig.2 On-Resistance vs. Gate-Source Voltage

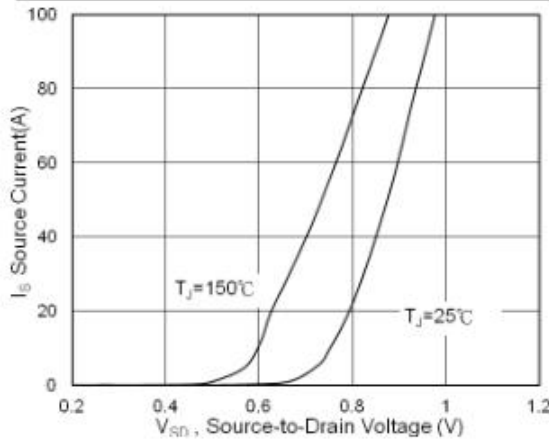


Fig.3 Forward Characteristics of Reverse

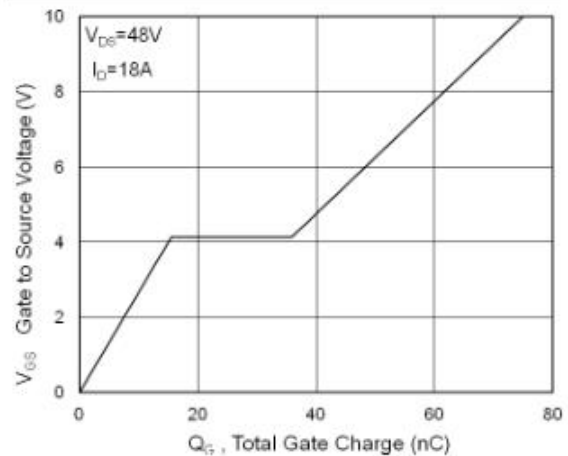


Fig.4 Gate-Charge Characteristics

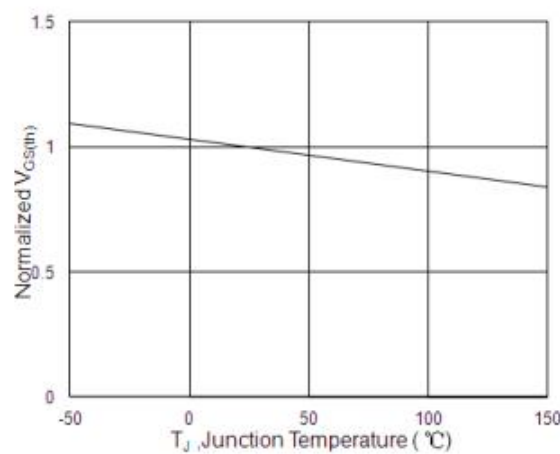


Fig.5 Normalized $V_{GS(th)}$ vs. T_J

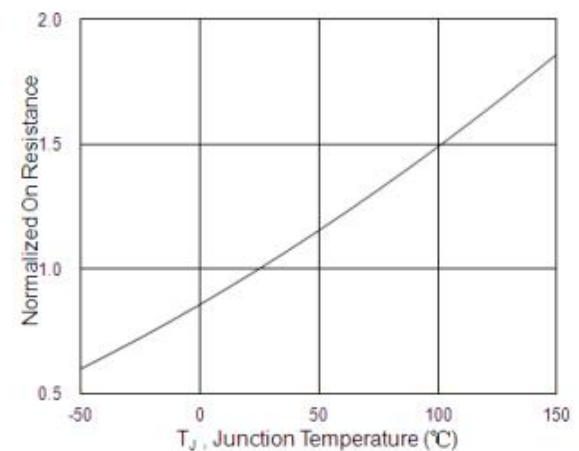


Fig.6 Normalized $R_{DS(on)}$ vs. T_J

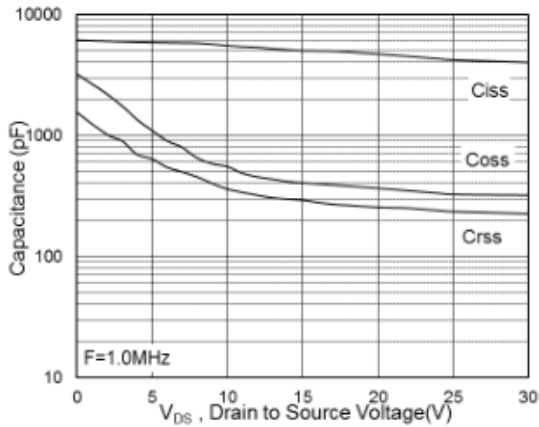


Fig.7 Capacitance

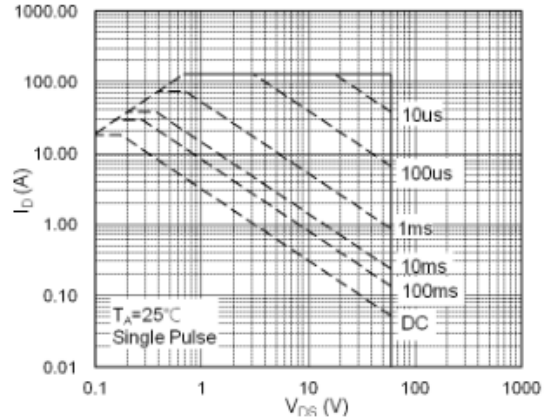


Fig.8 Safe Operating Area

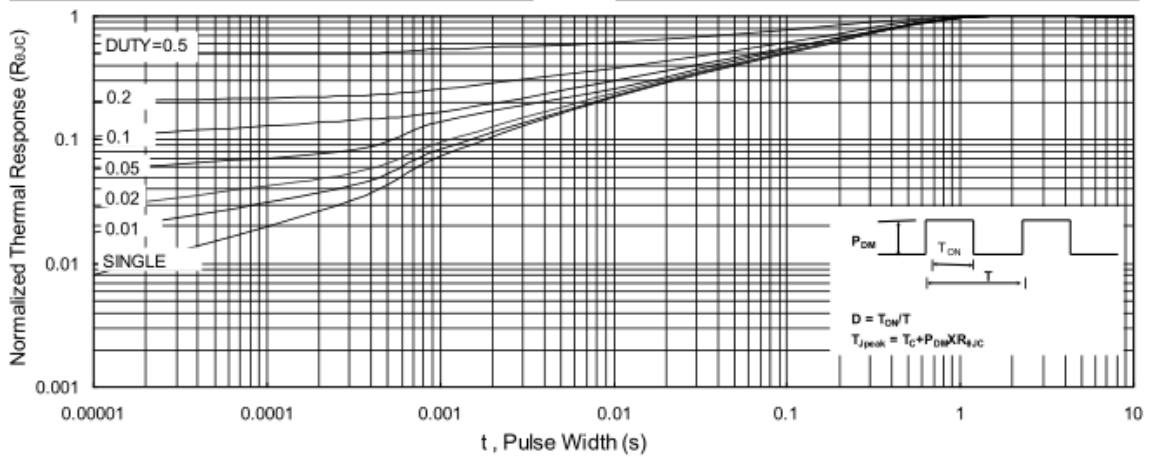


Fig.9 Normalized Maximum Transient Thermal Impedance

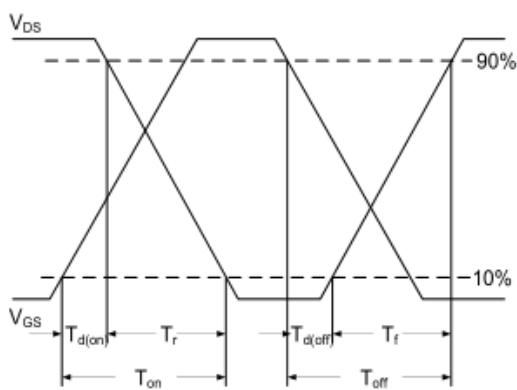


Fig.10 Switching Time Waveform

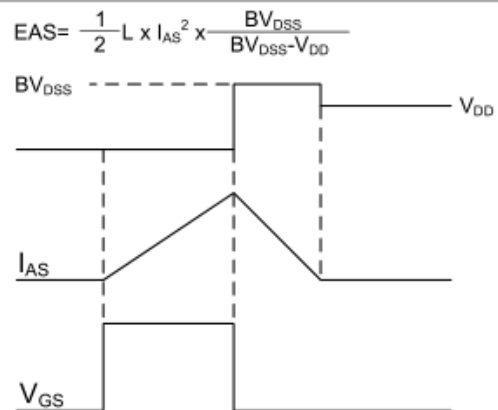


Fig.11 Unclamped Inductive Switching Waveform

$$EAS = \frac{1}{2} L \times I_{AS}^2 \times \frac{BV_{DSS}}{BV_{DSS} - V_{DD}}$$

X-ON Electronics

Largest Supplier of Electrical and Electronic Components

Click to view similar products for [MOSFET](#) category:

Click to view products by [KIA](#) manufacturer:

Other Similar products are found below :

[614233C](#) [648584F](#) [MCH3443-TL-E](#) [MCH6422-TL-E](#) [FDPF9N50NZ](#) [FW216A-TL-2W](#) [FW231A-TL-E](#) [APT5010JVR](#) [NTNS3A92PZT5G](#)
[IRF100S201](#) [JANTX2N5237](#) [2SK2464-TL-E](#) [2SK3818-DL-E](#) [FCA20N60_F109](#) [FDZ595PZ](#) [STD6600NT4G](#) [FSS804-TL-E](#) [2SJ277-DL-E](#)
[2SK1691-DL-E](#) [2SK2545\(Q,T\)](#) [D2294UK](#) [405094E](#) [423220D](#) [MCH6646-TL-E](#) [TPCC8103,L1Q\(CM](#) [367-8430-0972-503](#) [VN1206L](#)
[424134F](#) [026935X](#) [051075F](#) [SBVS138LT1G](#) [614234A](#) [715780A](#) [NTNS3166NZT5G](#) [751625C](#) [873612G](#) [IRF7380TRHR](#)
[IPS70R2K0CEAKMA1](#) [RJK60S3DPP-E0#T2](#) [RJK60S5DPK-M0#T0](#) [APT5010JVFR](#) [APT12031JFLL](#) [APT12040JVR](#) [DMN3404LQ-7](#)
[NTE6400](#) [JANTX2N6796U](#) [JANTX2N6784U](#) [JANTXV2N5416U4](#) [SQM110N05-06L-GE3](#) [SIHF35N60E-GE3](#)