

### High Efficiency 2-Channel LED Backlight with Flash Function

#### Features

- Wide input range: 2.7V~5.5V
- High efficiency step-up 2-Channel LED driver
- 2-Ch current sinks, up to 8-LEDs per string
  - ▶ Up to 29.8mA/Ch in backlight mode and up to 59.6mA/Ch in flash mode
  - ▶ +/-0.6% current matching at 20.2mA
  - ▶ +/-1.5% current accuracy at 20.2mA
- I<sup>2</sup>C/PWM dual dimming control scheme
  - ▶ 11-bit I<sup>2</sup>C exponential or linear mapping with programmable transition ramp time
  - ▶ Wide range PWM dimming with programable transition ramp time
    - 100Hz to 100kHz frequency
    - 0.2% to 100% duty cycle at 20kHz
- Programmable current sink turn on/off ramp time and shape
- Selectable boost converter switching frequency 1MHz or 500kHz with 20% shift up option
- Programmable input PWM hysteresis to minimize jitter at low PWM duty cycle
- Programmable OVP (25.9V/32V) and current limit (2.6A/1.8A)
- Programmable flash current and timeout
- LED open/short protection
- Status reporting through I<sup>2</sup>C interface

#### Applications

- Smartphone/Tablet Backlight and Selfie Flash

#### Brief Description

KTD3134 is the ideal power solution for LED backlighting and selfie flash in medium to large size LCD panels. It is a highly integrated step-up DC-DC converter operating with an input voltage from 2.7V to 5.5V, accommodating 1-cell lithium ion batteries or 5V supply. It includes a high voltage power NMOS, as well as two current sinks, resulting in a simpler and smaller solution with fewer external components. High switching frequency allows the use of a smaller inductor and capacitor.

Each of the two regulated current sinks can regulate up to 29.8mA in backlight mode. With a maximum of 32V at the output of the step-up converter, each string can connect up to 8-LED in series for a 16-LED application.

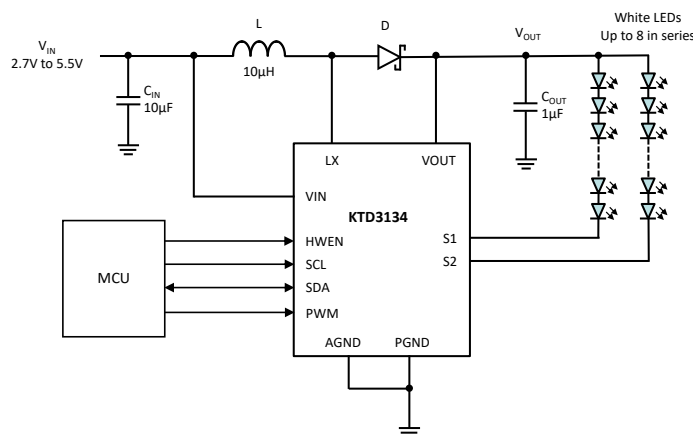
KTD3134 is equipped with I<sup>2</sup>C interface for various controls. For additional flexibility, PWM dimming with wide range frequency and duty cycle is included to support Content Adaptive Brightness Control (CABC).

KTD3134 also adds selfie flash function to the existing backlight solution by boosting the sink current up to 59.6mA/Ch and integrating a flash timeout of up to 1.5sec.

Various protection features are built into KTD3134, including cycle-by-cycle inductor current limit protection, output overvoltage protection, LED fault (open or short) protection and thermal shutdown protection.

KTD3134 is available in a RoHS compliant 12-ball 1.19mm x 1.64mm WLCSP or a 16-lead 3mm x 3mm x 0.75mm Thin-QFN package.

#### Typical Application



## Ordering Information

Part Number	Marking <sup>1</sup>	Operating Temperature	Package
KTD3134EUS-TR	LIXXYZZZZ	-40°C to +85°C	WLCSP-12
KTD3134EFJ-TR	LIYYZ	-40°C to +85°C	TQFN33-16

1. "XXYYZZZZ" / "YYZ" are the date code, assembly code and serial number / the date code and assembly code.

Kinetic Technologies cannot assume responsibility for use of any circuitry other than circuitry entirely embodied in a Kinetic Technologies product. No intellectual property or circuit patent licenses are implied. Kinetic Technologies reserves the right to change the circuitry and specifications without notice at any time.

## X-ON Electronics

Largest Supplier of Electrical and Electronic Components

*Click to view similar products for [LED Lighting Drivers](#) category:*

*Click to view products by [Kinetic Technologies](#) manufacturer:*

Other Similar products are found below :

[LV5235V-MPB-H](#) [MB39C602PNF-G-JNEFE1](#) [MIC2871YMK-T5](#) [AL1676-10BS7-13](#) [AL1676-20AS7-13](#) [AP5726WUG-7](#) [ICL8201](#)  
[IS31BL3228B-UTLS2-TR](#) [IS31BL3506B-TTLS2-TR](#) [AL3157F-7](#) [AP5725FDCG-7](#) [LV52204MTTBG](#) [AP5725WUG-7](#) [STP4CMPQTR](#)  
[NCL30086BDR2G](#) [CAT4004BHU2-GT3](#) [LV52207AXA-VH](#) [AP1694AS-13](#) [TLE4242EJ](#) [KTD2027EWE-TR](#) [AS3688](#) [IS31LT3172-GRLS4-TR](#)  
[TLD2311EL](#) [KTD2694EDQ-TR](#) [KTZ8864EJAA-TR](#) [IS32LT3174-GRLA3-TR](#) [MP2488DN-LF-Z](#) [NLM0010XTSA1](#) [AL1676-20BS7-13](#)  
[ZXLD1370QESTTC](#) [MPQ7220GF-AEC1-P](#) [MPQ4425BGJ-AEC1-P](#) [MPQ7220GF-AEC1-Z](#) [MPQ4425BGJ-AEC1-Z](#) [IS31FL3737B-QFLS4-TR](#)  
[IS31FL3239-QFLS4-TR](#) [KTD2058EUAC-TR](#) [KTD2037EWE-TR](#) [DIO5662ST6](#) [KTD2026BEWE-TR](#) [MAX20052CATC/V+](#)  
[MAX25606AUP/V+](#) [BD6586MUV-E2](#) [BD9206EFV-E2](#) [LYT4227E](#) [LYT6079C-TL](#) [MP3394SGF-P](#) [MP4689AGN-P](#) [MPQ4425AGQB-AEC1-Z](#) [KTD2060EUAC-TR](#)