

Low Resistance Load Switch with Current Limit Control and Over-Voltage Reverse Blocking Protection

Brief Description

The KTS1688 Evaluation (EVAL) Kit is used to demonstrate and evaluate the KTS1688 Low On-Resistance current-source protection load switch with reverse blocking functionality, performance, and PCB layout. The kit includes a fully assembled and tested PCB with the KTS1688 IC installed, two pairs of high-current XT30-to-Banana power cables, and a printed copy of the Quick Start Guide (also contained within this document).

Ordering Information

Part Number	Description	IC Package
KTS1688EUH-MMEV01	KTS1688 EVAL Kit	WLCSP-9


3D CAD Image



EVAL Kit Physical Contents

Item #	Description	Quantity
1	KTS1688 EVAL fully assembled PCB	1
2	XT30-to-Banana power cables, red/black pair	2 pairs
3	Anti-static bag	1
4	Quick Start Guide, printed 1 page (A4 or US Letter)	1
5	EVAL Kit box	1

QR Links for Documents

IC Datasheet	EVAL Kit Landing Page
 https://www.kinet-ic.com/kts1688/	 https://www.kinet-ic.com/kts1688euh-mmev01/

User-Supplied Equipment

Required Equipment

1. Bench Power Supply for VIN – 5.0V (or 5.1V) from 1A up to 3A capable, as needed for the intended application.
2. Digital Multimeters – one or more, used to measure input/output voltages and currents.

Optional Equipment

1. Oscilloscope – for dynamic testing of input and output load voltages as well as OC fault flag state (and input or load currents with a current probe, if available).
2. Load – Electronic Load, power resistors, or an actual system load.

Recommended Operating Conditions

Symbol	Description	Value	Units
VIN	Input Withstand Voltage	-0.3 to 6.0	V
	Input Operating Voltage	2.5 to 5.5	V
VOUT	Output Withstand Voltage	-0.3 to 29	V
I _{OUT}	Output Load Current	0 to 2.5	A

Jumper Description

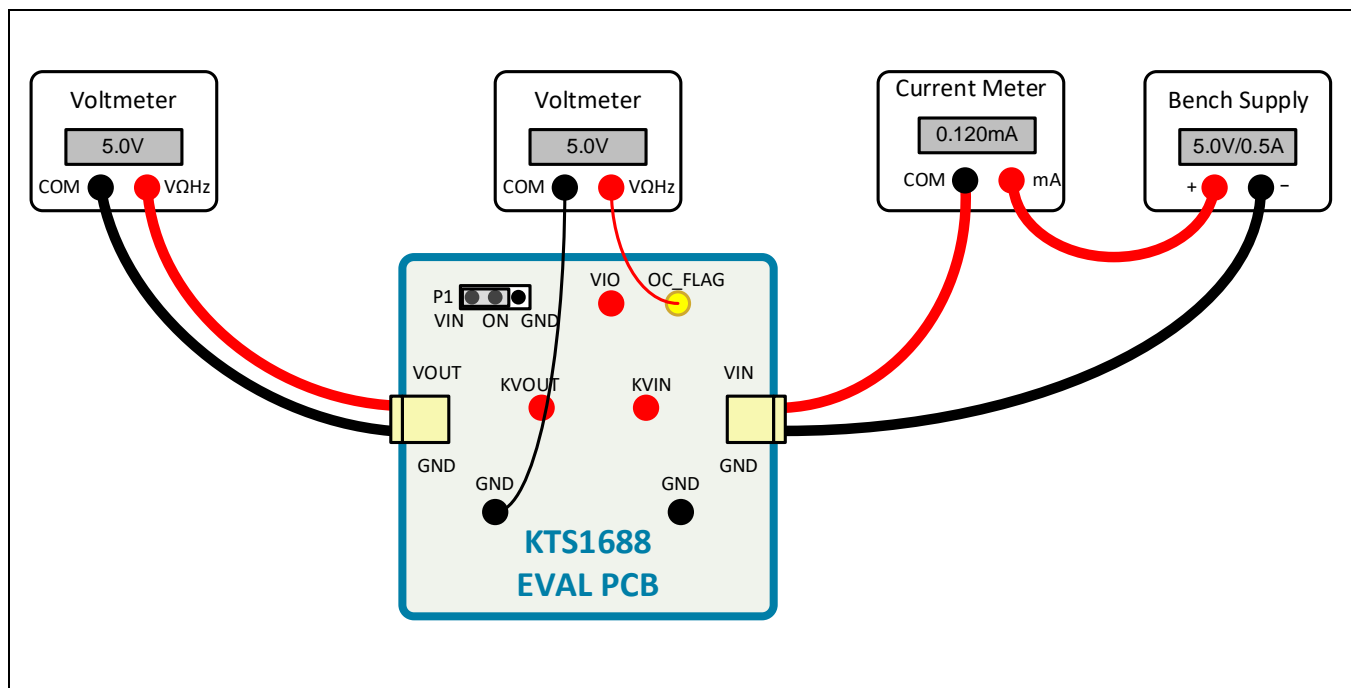
Designator	Name	Description	Default
P1	CTRL	Active-High Turn-On Logic Input VIN (H): IC enabled / ON GND (L): IN disabled / OFF	L

Quick Start Procedures

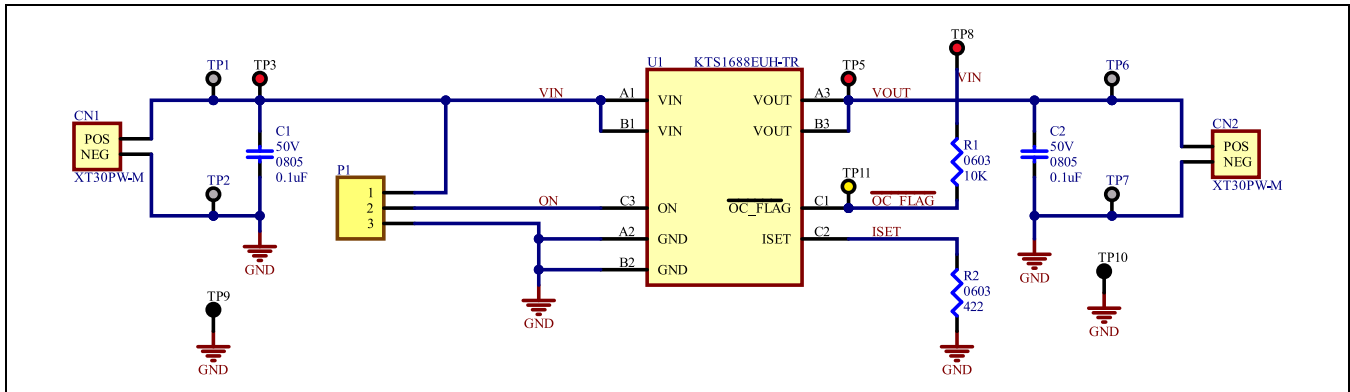
1. Set Jumper to default: CTRL (P1) On/Off = ON to VIN to enable the device. ON to GND disables the device.
2. Connect one pair of XT30-to-Banana power cables to the XT30 connector at VIN and GND (right edge of EVAL Kit).
3. Before connecting the EVAL Kit to the VIN bench supply, turn on the supply and adjust the voltage as close to 0V as possible. Then turn off or disable the supply output. While off, connect the banana ends of the XT30-to-Banana power cables to the VIN bench supply.
4. Turn on the VIN bench supply and very slowly ramp the output voltage to an appropriate level, such as 5.0V or 5.1V. While ramping VIN slowly, use the bench supply's output current indication (or a digital multimeter) to monitor the VIN current. If the current becomes high, reduce the VIN voltage quickly to prevent damage. Then inspect the setup for any wiring errors.
5. With valid VIN voltage, use a digital multimeter to check the output voltage between the KVOUT and GND terminals on the EVAL Kit. It should be nearly the same as the input voltage. The active low OC_FLAG output should be equal to VIN or a logic high level.
6. Use a digital multimeter to check the no-load supply current to VIN. Consult the KTS1688 datasheet for the expected current range at the VIN voltage condition in use. For conditions of VIN = 5.0V, CTRL (P1) = H, and no-load, the input supply current should be close to 120 μ A.

Typical Test Setup Diagram

As an example, use the following test setup to measure item 6 in the Quick Start Procedures.



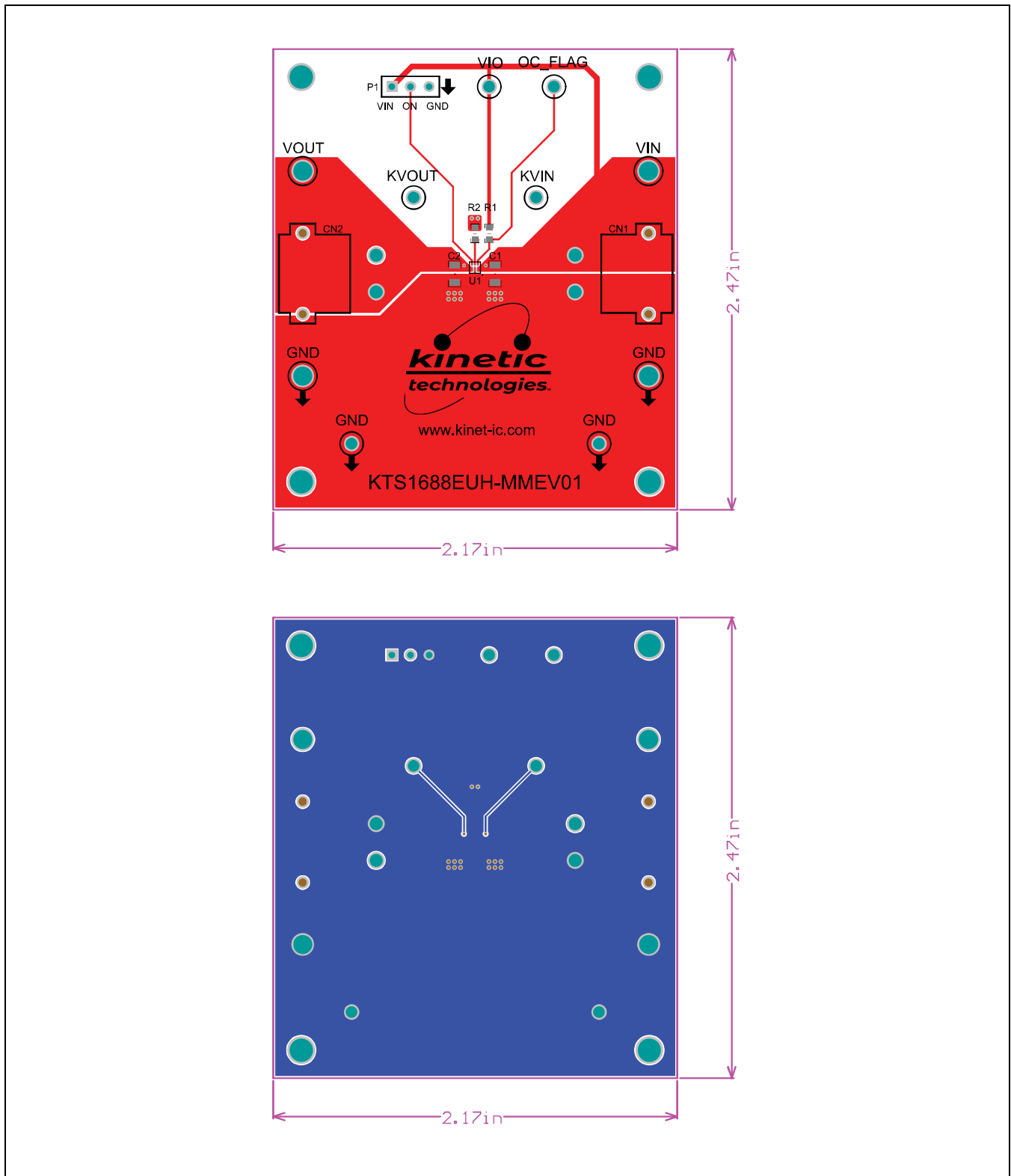
Electrical Schematic



Bill of Materials (BOM)

Item #	Quantity	Designator	Description	Value	Package	Manufacturer	Manufacturer Part Number	Digikey Part Number	Mouser Part Number
1	2	C1, C2	CAP 0.1UF 50V X7R 0805	0.1uF	0805	Yageo	CC0805KRX7R9BB104	311-1140-1-ND	603-CC805KRX7R9BB104
2	2	CN1, CN2	30A Right Angle Through Hole Power Connectors			AMASS	XT30PW-M		
3	4	H1, H2, H3, H4	BRD SPT SNAP LOCK REST MNT 4MM			Essentra Components	PSD-4M-19	PSD-4M-19-ND	144-PSD-4M-19
4	1	P1	CONN HEADER VERT 3POS 2.54MM		TH	Sullins Connector Solutions	PREC003SAAN-RC	S1012EC-03-ND	
5	1	R1	RES 10K OHM 1% 1/10W 0603	10K	0603	Yageo	RC0603FR-0710KL	311-10.0KHRCT-ND	603-RC0603FR-0710KL
6	1	R2	RES 422 OHM 1% 1/8W 0805	422	0603	Yageo	RC0805FR-07422RL	311-422CRCT-ND	603-RC0805FR-07422RL
7	4	TP1, TP2, TP6, TP7	TERM TURRET SINGLE L=5.56MM TIN		TH	Keystone	1502-2	36-1502-2-ND	534-1502-2
8	3	TP3, TP5, TP8	PC TEST POINT MULTIPURPOSE RED		TH	Keystone	5010	36-5010-ND	534-5010
9	2	TP9, TP10	PC TEST POINT MULTIPURPOSE BLACK		TH	Keystone	5011	36-5011-ND	534-5011
10	1	TP11	PC TEST POINT MULTIPURPOSE YELLOW		TH	Keystone	5014	36-5014-ND	534-5014
11	1	U1	Low Resistance Load Switch with Current Limit Control and		WLCS9	Kinetic Technologies	KTS1688EUH-TR		389-KTS1688EUHTR

Printed Circuit Board (PCB)



Additional Test Procedures

1. Logic Pin Testing:
 - a. Checking the on state or shutdown supply current at VIN is accomplished by turning the device on or off via the P1 jumper. To enable the device, place a jumper between ON and VIN.
 - b. The VIO logic voltage level is set by the R1 pull up resistor to VIN. The default value for R1 is 10k Ω , this sets the active low OC_FLAG fault functionality. Connect a voltmeter or oscilloscope probe to the OC_FLAG terminal to observe the state of the over-current protection flag.
2. Testing with Load:
 - a. Use the second XT30-to-Banana power cable pair to apply loads from VOUT to GND.
 - b. Use multimeters and an oscilloscope to make DC and transient measurements as desired.

Setting the Output Current Limit

The KTS1688 EVAL Kit is supplied with a pre-installed current limit set resistor R2. The default value is 422 Ω to set the current limit protection threshold to 2.5A. To adjust the current limit protection to a different level as may be required for a given application, change the value of R2. Consult the KTS1688 datasheet and use resistor values found in the *Electrical Characteristics* table or in the Figure 2 curve found in the *Current Limiting* section of the *Functional Description*.

Important Notices

Legal notice

Copyright © Kinetic Technologies. Other names, brands and trademarks are the property of others.

Kinetic Technologies assumes no responsibility or liability for information contained in this document. Kinetic Technologies reserves the right to make corrections, modifications, enhancements, improvements, and other changes to its products and services at any time and to discontinue any product or services without notice. The information contained herein is believed to be accurate and reliable at the time of printing.

Reference design policy

This document is provided as a design reference and Kinetic Technologies assumes no responsibility or liability for the information contained in this document. Kinetic Technologies reserves the right to make corrections, modifications, enhancements, improvements, and other changes to this reference design documentation without notice.

Reference designs are created using Kinetic Technologies' published specifications as well as the published specifications of other device manufacturers. This information may not be current at the time the reference design is built. Kinetic Technologies and/or its licensors do not warrant the accuracy or completeness of the specifications or any information contained therein.

Kinetic Technologies does not warrant that the designs are production worthy. Customer should completely validate and test the design implementation to confirm the system functionality for the end use application.

Kinetic Technologies provides its customers with limited product warranties, according to the standard Kinetic Technologies terms and conditions.

For the most current product information visit us at www.kinet-ic.com

Life support policy

LIFE SUPPORT: KINETIC TECHNOLOGIES' PRODUCTS ARE NOT DESIGNED, INTENDED, OR AUTHORIZED FOR USE AS COMPONENTS IN LIFE SUPPORT DEVICES OR SYSTEMS. NO WARRANTY, EXPRESS OR IMPLIED, IS MADE FOR THIS USE. AUTHORIZATION FOR SUCH USE SHALL NOT BE GIVEN BY KINETIC TECHNOLOGIES, AND THE PRODUCTS SHALL NOT BE USED IN SUCH DEVICES OR SYSTEMS, EXCEPT UPON THE WRITTEN APPROVAL OF THE PRESIDENT OF KINETIC TECHNOLOGIES FOLLOWING A DETERMINATION BY KINETIC TECHNOLOGIES THAT SUCH USE IS FEASIBLE. SUCH APPROVAL MAY BE WITHHELD FOR ANY OR NO REASON.

“Life support devices or systems” are devices or systems which (1) are intended for surgical implant into the human body, (2) support or sustain human life, or (3) monitor critical bodily functions including, but not limited to, cardiac, respirator, and neurological functions, and whose failure to perform can be reasonably expected to result in a significant bodily injury to the user. A “critical component” is any component of a life support device or system whose failure to perform can be reasonably expected to cause the failure of the life support device or system, or to affect its safety or effectiveness.

SUBSTANCE COMPLIANCE

Kinetic Technologies IC products are compliant with RoHS, formally known as Directive 2002/95/EC of the European Parliament and of the Council of 27 January 2003 on the restriction of the use of certain hazardous substances in electrical and electronic equipment. However, this evaluation kit does not fall within the scope of the EU directives regarding electromagnetic compatibility, restricted substances (RoHS), recycling (WEEE), FCC, CE or UL, and may not meet the requirements of these or related directives. To the best of our knowledge the information is true and correct as of the date of the original publication of the information. Kinetic Technologies bears no responsibility to update such statement.

X-ON Electronics

Largest Supplier of Electrical and Electronic Components

Click to view similar products for [Power Management IC Development Tools](#) *category:*

Click to view products by [Kinetic Technologies](#) *manufacturer:*

Other Similar products are found below :

[EVB-EP5348UI](#) [BQ25010EVM](#) [ISL80019AEVAL1Z](#) [ISLUSBI2CKIT1Z](#) [ISL8002AEVAL1Z](#) [ISL91108IIA-EVZ](#) [MAX8556EVKIT](#)
[MAX15005AEVKIT+](#) [ISL28022EVKIT1Z](#) [STEVAL-ISA008V1](#) [DRI0043](#) [KITPF8100FRDMEVM](#) [EVB-EN6337QA](#)
[SAMPLEBOXILD8150TOBO1](#) [MAX18066EVKIT#](#) [AP62300WU-EVM](#) [KITA2GTC387MOTORCTRTOBO1](#) [AEK-MOT-TK200G1](#)
[EVLONE65W](#) [STEVAL-ILH006V1](#) [STEVAL-IPE008V2](#) [STEVAL-IPP001V2](#) [STEVAL-ISA013V1](#) [STEVAL-ISA067V1](#) [STEVAL-](#)
[ISQ002V1](#) [TPS2306EVM-001](#) [TPS2330EVM-185](#) [TPS40001EVM-001](#) [SECO-HVDCDC1362-15W-GEVB](#) [BTS7030-2EPA](#)
[LT8638SJV#WPBF](#) [LTC3308AIV#WTRPBF](#) [TLT807B0EPV](#) [BTS71033-6ESA](#) [EV13N91A](#) [EASYPIC V8 OVER USB-C](#) [EV55W64A](#)
[CLICKER 4 FOR STM32F4](#) [EASYMX PRO V7A FOR STM32](#) [CLICKER 4 FOR PIC18F](#) [Si8285_86v2-KIT](#) [PAC52700EVK1](#) [NCP-](#)
[NCV51752D2PAK3LGEVB](#) [ISL81807EVAL1Z](#) [AP33772S-EVB](#) [EVALM7HVIGBTFCINV4TOBO1](#) [903-0300-000](#) [902-0173-000](#) [903-](#)
[0301-000](#) [ROA1286023/1](#)