

Part Number: APA3010P3C

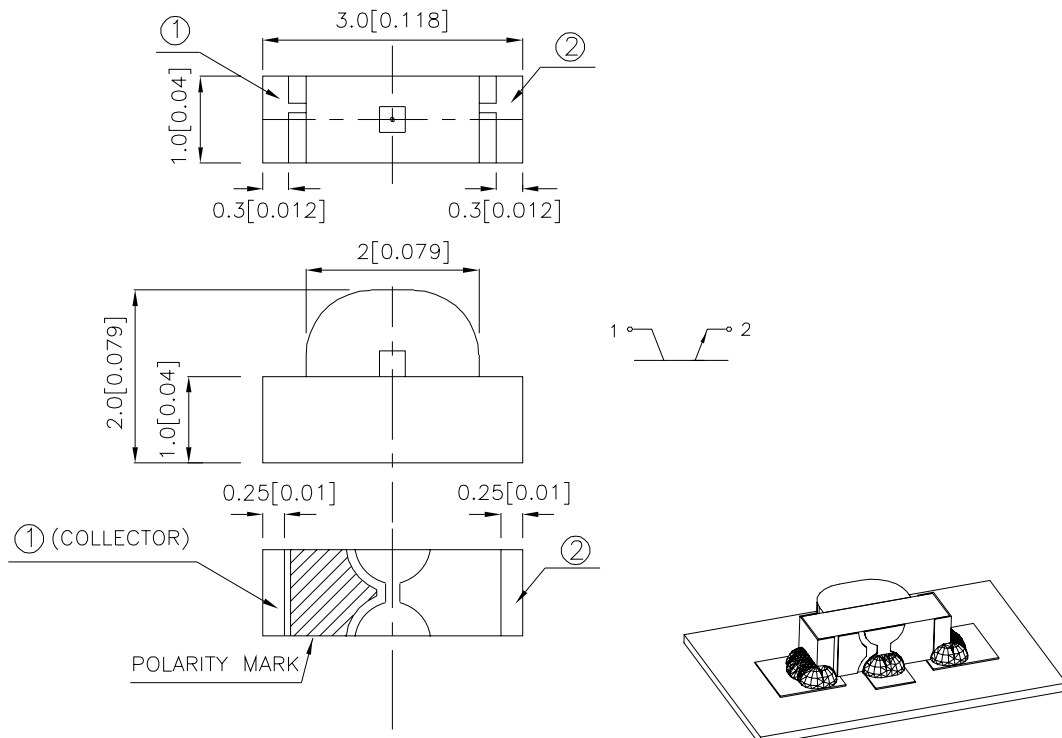
### Features

- MECHANICALLY AND SPECTRALLY MATCHED TO THE APA3010 SERIES INFRARED EMITTING LED LAMP.
- WATER CLEAR LENS.
- PACKAGE : 2000PCS / REEL.
- MOISTURE SENSITIVITY LEVEL : LEVEL 3.
- RoHS COMPLIANT.

### Description

Made with NPN silicon phototransistor chips.

### Package Dimensions



#### Notes:

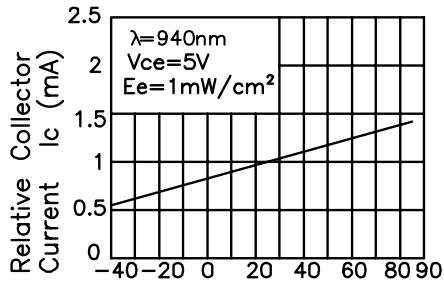
1. All dimensions are in millimeters (inches).
2. Tolerance is  $\pm 0.15(0.006")$  unless otherwise noted.
3. Specifications are subject to change without notice.
4. The device has a single mounting surface. The device must be mounted according to the specifications.

## Electrical / Optical Characteristics at TA=25°C

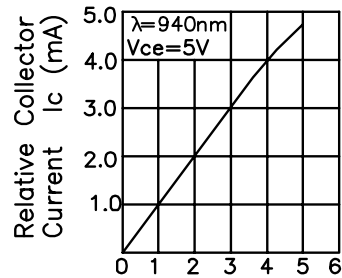
Symbol	Parameter	Min.	Typ.	Max.	Units	Test Conditions
VBR CEO	Collector-to-Emitter Breakdown Voltage	30	-	-	V	Ic=100uA Ee=0mW/cm <sup>2</sup>
VBR ECO	Emitter-to-Collector Breakdown Voltage	5	-	-	V	Ie=100uA Ee=0mW/cm <sup>2</sup>
VCE (SAT)	Collector-to-Emitter Saturation Voltage	-	-	0.8	V	Ic=2mA Ee=20mW/cm <sup>2</sup>
I CEO	Collector Dark Current	-	-	100	nA	VCE=10V Ee=0mW/cm <sup>2</sup>
TR	Rise Time (10% to 90% )	-	15	-	us	VCE = 5V Ic=1mA RL=1000Ω
TF	Fall Time (90% to 10% )	-	15	-	us	
I (ON)	On State Collector Current	0.1	0.3	-	mA	VCE = 5V, Ee=1mW/cm <sup>2</sup> , λ=940nm
2θ1/2	Viewing Angle	-	120	-	deg	-

## Absolute Maximum Ratings at TA=25°C

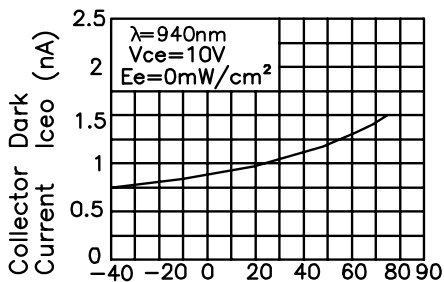
Parameter	Max.Ratings
Collector-to-Emitter Breakdown Voltage	30V
Emitter-to-Collector Breakdown Voltage	5V
Power Dissipation at (or below) 25°C Free Air Temperature	100mW
Operating Temperature Range	-40°C ~ +85°C
Storage Temperature Range	-40°C ~ +85°C



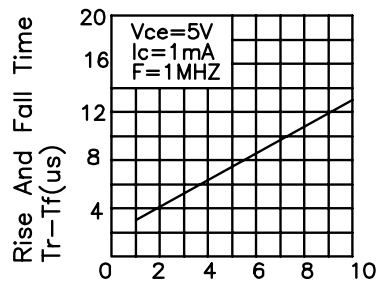
Ambient Temperature  $T_A$  (°C)  
RELATIVE COLLECTOR CURRENT VS.  
AMBIENT TEMPERATURE



$E_e$ —irradiance—mW/cm<sup>2</sup>  
IRRADIANCE VS. RELATIVE  
COLLECTOR CURRENT



Ambient Temperature  $T_A$  (°C)  
COLLECTOR DARK CURRENT VS.  
AMBIENT TEMPERATURE



Load Resistance  $R_L$ (k $\Omega$ )  
RISE AND FALL TIME VS.  
LOAD RESISTANCE

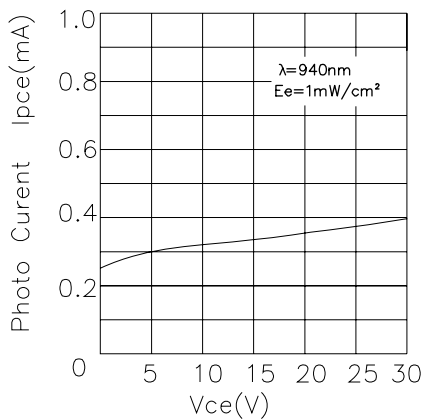
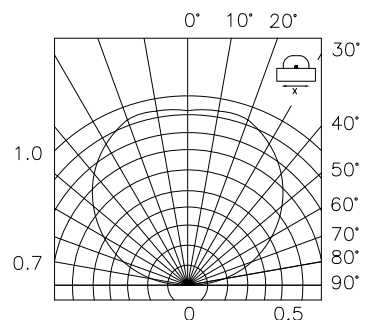
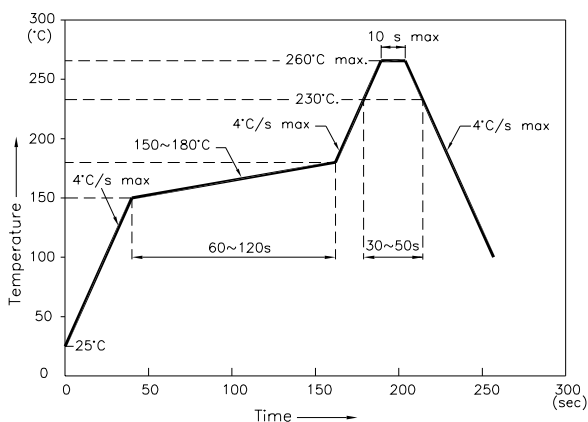


PHOTO CURRENT VS.  
COLLECTOR-TO-EMITTER VOLTAGE



## APA3010P3C

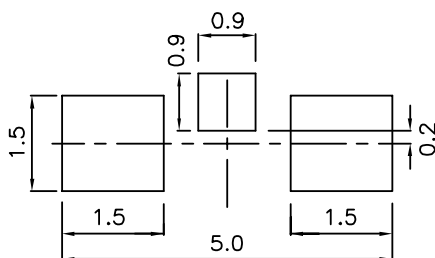
Reflow Soldering Profile For Lead-free SMT Process.



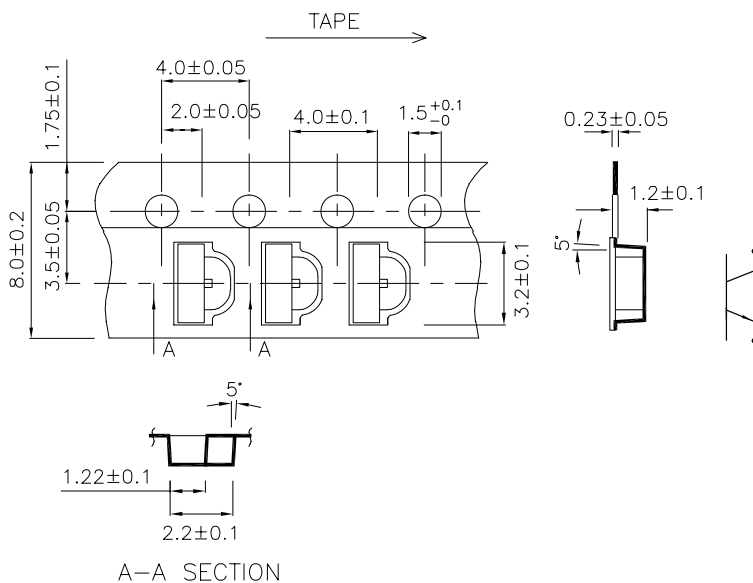
NOTES:

1. We recommend the reflow temperature  $245^{\circ}\text{C}(\pm 5^{\circ}\text{C})$ . The maximum soldering temperature should be limited to  $260^{\circ}\text{C}$ .
2. Don't cause stress to the epoxy resin while it is exposed to high temperature.
3. Number of reflow process shall be 2 times or less.

### Recommended Soldering Pattern (Units : mm; Tolerance: $\pm 0.1$ )

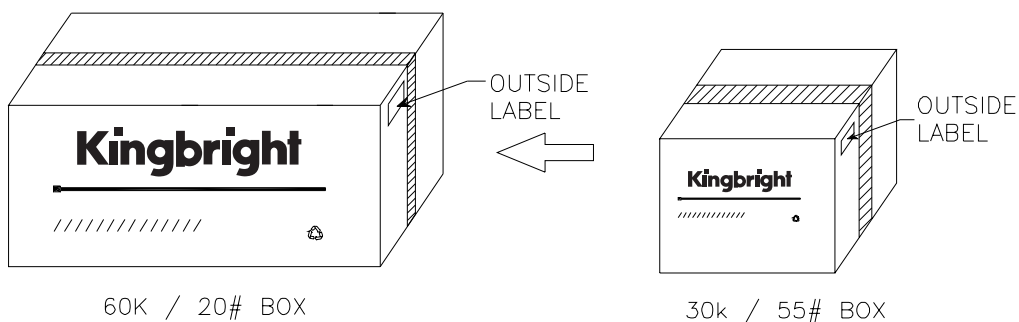
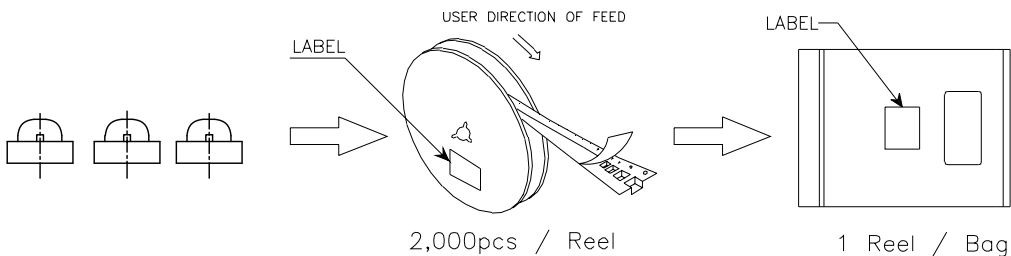



### Tape Specifications (Units : mm)



## PACKING & LABEL SPECIFICATIONS

## APA3010P3C



<b>Kingbright</b>	
P/NO: APA3010xxx	
QTY: 2,000 pcs	Q.C. <span style="border: 1px solid black; border-radius: 50%; padding: 2px;">Q C xx xx. xxxx PASSED</span>
S/N: XXXX	Date
CODE: XXX	
LOT NO:	
 <small>xxxxxxxxxxxxxxxxxxxxxxxxxxxxxxxx</small>	
RoHS Compliant	

## X-ON Electronics

Largest Supplier of Electrical and Electronic Components

*Click to view similar products for [Phototransistors](#) category:*

*Click to view products by [Kingbright](#) manufacturer:*

Other Similar products are found below :

[LTR-5576D](#) [PT17-21B/L41/TR8](#) [PT908-7B-F](#) [QSD123A4R0](#) [ASDL-6620-C22](#) [OED-ST-8LR2](#) [OED-STR44B90-TR](#) [SD5410-109](#) [PT26-21C/CT](#) [PT15-21B-TR8](#) [PT-IC-AC-3528-520](#) [PT-IC-BC-3528-550](#) [MHT153PTBT](#) [MHS153PTBT](#) [PT5529B/L2/H2-F](#) [PT91-21C/TR10](#) [BP103-3/4](#) [BPX 38-3](#) [BPY 62](#) [KPS-3227SP1C](#) [L-53P3BT](#) [L-53P3C](#) [L-93DP3BT](#) [L-93DP3C](#) [LL-503PTC2E-1AD](#) [LL-S150PTC-1A](#) [LL-S150PTD-1A](#) [SFH 320](#) [SFH 320-3](#) [SFH 320 FA](#) [OP508FA](#) [TEMT1030](#) [LTR-301](#) [PGM5516-MP](#) [PGM5526-MP](#) [PGM5549](#) [PGM5637D](#) [VTT7125H](#) [VEMT4700F-GS08](#) [PT19-21B/L41/TR8](#) [KP-2012P3C](#) [TEKT5400S](#) [SD1410-128L](#) [SFH 313 FA-3/4](#) [SFH 313 FA-2/3](#) [SFH 320-4-Z](#) [SFH 309 FA-5/6](#) [PT4800FE000F](#) [SFH 309-5/6](#) [SFH 3410-1/2-Z](#)