

Part Number: BL0307-50-44

Super Bright Red

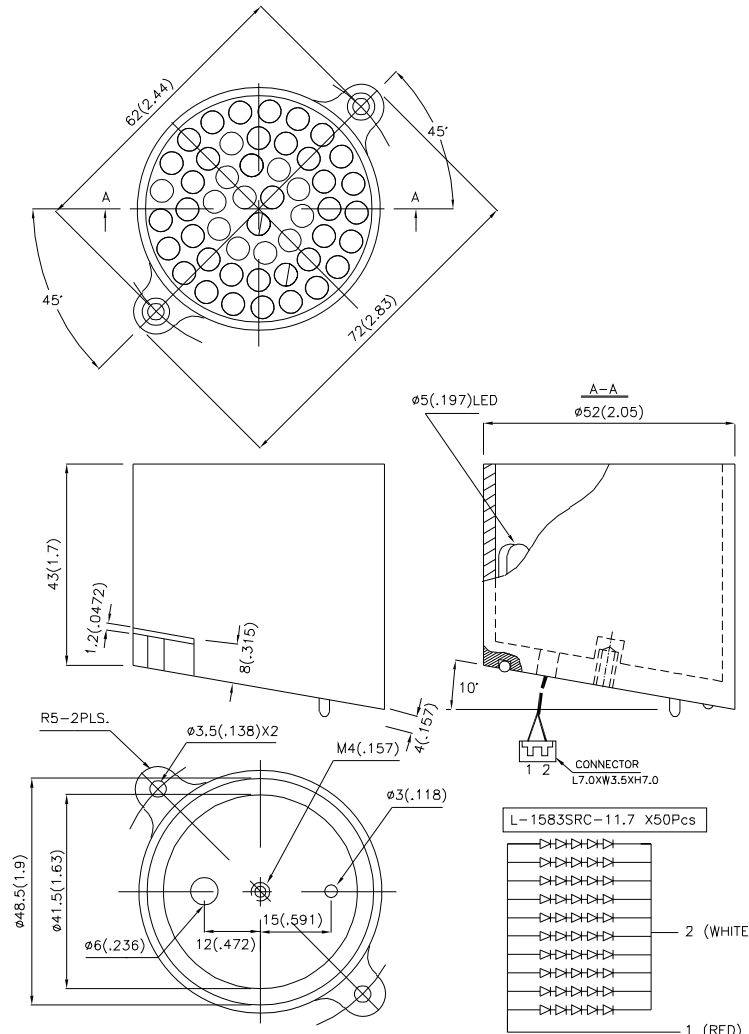
Features

- Waterproof construction.
- Suitable for outdoor applications, signboard or message board, etc.
- RoHs compliant.

Description

The Super Bright Red source color devices are made with Gallium Aluminum Arsenide Red Light Emitting Diode.

Package Dimensions



Notes:

1. All dimensions are in millimeters (inches).
2. Tolerance is $\pm 0.25(0.01)$ " unless otherwise noted.
3. The specifications, characteristics and technical data described in the datasheet are subject to change without prior notice.



Electrical / Optical Characteristics at T_A=25°C

Symbol	Parameter	Device	Min.	Typ.	Max.	Units	Test Conditions
I _V	Luminous Intensity	BL0307-50-44	15000	30000	-	mcd	I _F =200mA
2θ _{1/2}	Viewing Angle		-	40	-	deg	-
V _F	Forward Voltage		-	9.3	12.5	V	I _F =200mA
λ _{peak}	Peak Wavelength		-	660	-	nm	I _F =200mA
λ _D	Dominant Wavelength		-	640	-	nm	I _F =200mA
Δλ _{1/2}	Spectral Line Half-width		-	20	-	nm	I _F =200mA
I _R	Reverse Current		-	-	100	uA	V _R = 5V

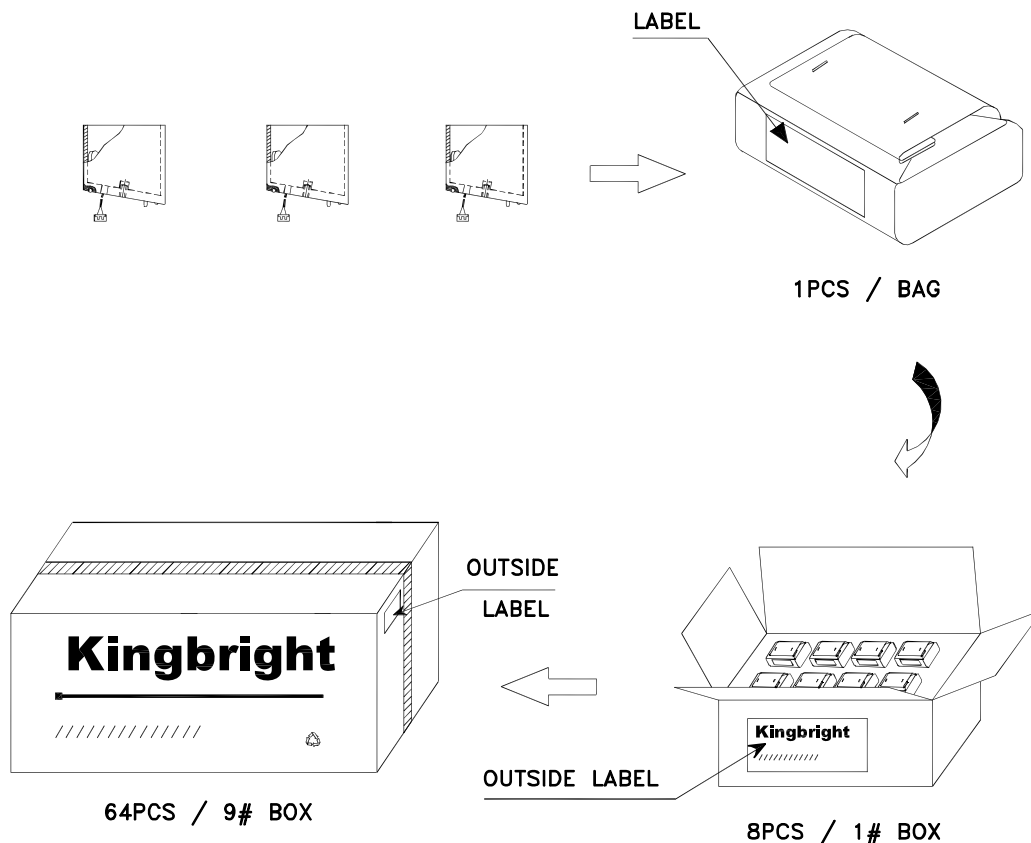
Absolute Maximum Ratings at T_A=25°C

Parameter	Type	Units
Power dissipation	3750	mW
DC Forward Current	300	mA
Reverse Voltage	5	V
Operating Temperature	-40°C To +70°C	
Storage Temperature	-40°C To +85°C	

Kingbright

PACKING & LABEL SPECIFICATIONS

BL0307-50-44



<h2 style="margin: 0;">Kingbright</h2>		
P/NO: BL0307-50xxx		
QTY: 1pcs	Q.C.	<div style="border: 1px solid black; border-radius: 50%; padding: 5px; width: 40px; margin: 0 auto;"> Q C XX XX XXXX PASSED </div>
S/N: XXXX		
CODE: XXX		
LOT NO:		
XXXXXXXXXXXXXXXXXXXX		
RoHS Compliant		

X-ON Electronics

Largest Supplier of Electrical and Electronic Components

Click to view similar products for [LED Replacement Lamps - Based LEDs](#) category:

Click to view products by [Kingbright](#) manufacturer:

Other Similar products are found below :

[LAPD-1A](#) [LAPD-1R](#) [LAPD-2R](#) [LAPD-6W](#) [LSTD-M4S](#) [SSP-1156B153S12](#) [SSP-1157B156U12](#) [SSP-LXS110818BA](#) [560-0101F](#) [560-0103F](#)
[LAPD-1W](#) [LAPD-6R](#) [560-0104F](#) [585-1113](#) [SSP-LXC1283S24](#) [SSP-3MB96U12G](#) [SLL-05EY](#) [1.90.690.684/0000](#) [560-0203F](#) [586-2206-](#)
[205F](#) [SSP-LXS1826U16A](#) [LATD-2JW](#) [24LS4-G1](#) [24LS4-R1](#) [MF200-NFW5H](#) [MB403-W60-CW-BP](#) [387LP-A](#) [1819LS2-G-CG](#) [387LP-R](#)
[387LP-B](#) [387LP-W](#) [387LP-G](#) [6S6LS155-CWR](#) [130MBLS-G-CG](#) [5000404LAMP](#) [E10SB12A](#) [E10SB130A](#) [E10SB24A](#) [E10SG12A](#)
[E10SG130A](#) [E10SG24A](#) [E10SR12A](#) [E10SR130A](#) [E10SR24A](#) [E10SW12A](#) [E10SY12A](#) [E10SY130A](#) [585-1425F](#) [521-9208F](#) [586-0012-806F](#)