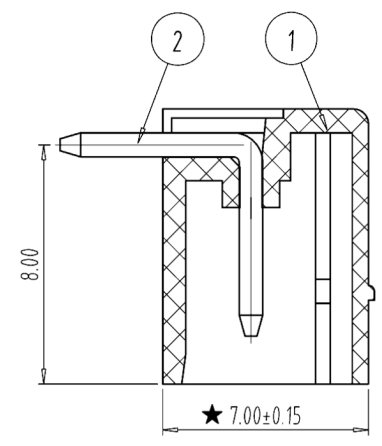
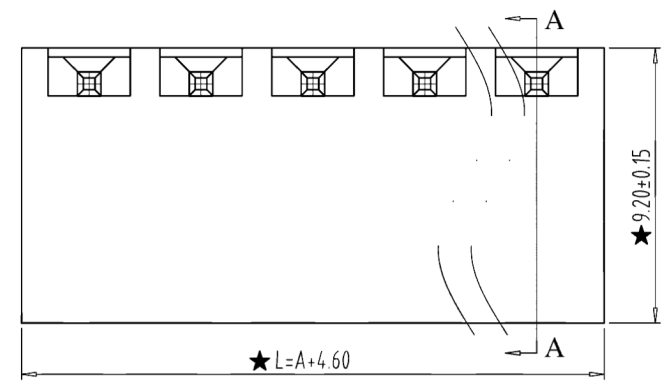
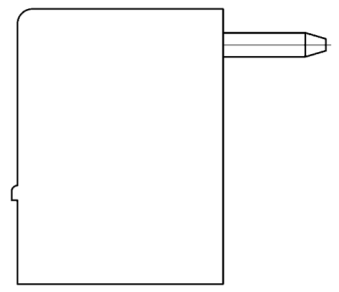
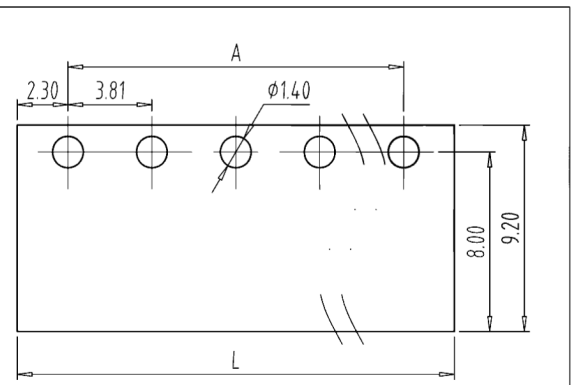


| | | | |
|------|---------|-----|------------|
| REV | CONTENT | CHK | DATE |
| V0.0 | CONTENT | SK | 2014-11-29 |

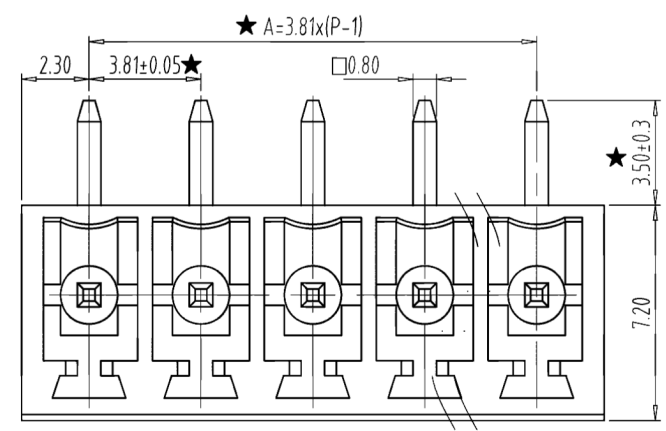
型号: KH-15EDGRC-3.81-2PG



SECTION:A-A



PCB LAYOUT
S=3:1



NOTES:

- 1.Rating:300V 8A ,
- 2.Insulation Withstands Voltage: AC2000V/MIN
- 3.Insulation Resistance: 500MΩ or more at DC500V
- 4.Using Temperature Range: -40°C---+105°C
- 5." ★ " is the important dimension

| | | | | | |
|---------------------|--------------|-------------|----------|----------------|----------------------------|
| 2 | PIN | ZF100B0001 | P | BRASS | Sn Plated |
| 1 | HOUSING | ZF200A0XXXX | 1 | PA66(V0) | |
| ITEM | NAME OF PART | NO. OF PART | Q"TY | MATERIAL | NOTE |
| DWG. | CXL | DATE | 14.06.06 | SIZE | A4 UNITS mm SHEET/OF 1 / 1 |
| CHK. | DATE | | | SCALE | 4:1 15---3.81(11.0) |
| APP. | DATE | | | UWGN0 | 02-ZBF200RXXPX |
| 深圳市金航标电子有限公司 | | | | WWW.BDS666.COM | |
| KH-15EDGRC-3.81-2PG | | | | 0755-83044319 | |

| Total Pitch Tolerances in mm | | | | | | | | | | Nominal dimension range in mm | | | | | | | | | | ⊥ | = | - | // | | | |
|------------------------------|---------------|---------------|---------------|----------------|-----------------|-----------------|-----------------|-----------------|--------------|-------------------------------|---------------|---------------|----------------|-----------------|-----------------|-----------------|-----------------|--------------|----------------|-----------------|---------------|-----------------|---------------|-----------------|--|--|
| over 0 to 30 | over 30 to 53 | over 53 to 70 | over 70 to 90 | over 90 to 115 | over 115 to 150 | over 150 to 250 | over 250 to 350 | over 350 to 500 | over 0 to 30 | over 30 to 53 | over 53 to 70 | over 70 to 90 | over 90 to 115 | over 115 to 150 | over 150 to 200 | over 200 to 250 | over 250 to 320 | over 0 to 10 | over 10 to 100 | over 100 to 150 | over 0 to 100 | over 100 to 150 | over 0 to 100 | over 100 to 150 | | |
| ±0.18 | ? 2.20 | ±0.25 | ±0.3 | ±0.35 | ? 4.4 | ±0.60 | ±0.70 | ? 8.5 | ±0.20 | ±0.25 | ±0.30 | ±0.35 | ±0.4 | ±0.55 | ±0.70 | ±0.80 | ±0.90 | 0.2 | 0.3 | 0.3 | 0.2 | 0.3 | 0.5 | | | |

X-ON Electronics

Largest Supplier of Electrical and Electronic Components

Click to view similar products for [Pluggable Terminal Blocks](#) category:

Click to view products by [Kinghelm](#) manufacturer:

Other Similar products are found below :

[57.510.0053](#) [MC 1.5/ 6-ST-3.5 GY AU](#) [ET02015000J0G](#) [860505](#) [860516](#) [860810](#) [GBPACX-12](#) [93.731.4953.0](#) [PV05-5,08-K](#) [PVP03-3,50](#)
[PVS02-5,00](#) [1-1986160-3](#) [1377680000](#) [1531000000](#) [1546228-5](#) [ELFP03110](#) [ELFP10210](#) [ELFT07250](#) [ELVD12100](#) [ELVF09400](#)
[ELVP03100](#) [ELXH071G0E](#) [1700410](#) [1746952](#) [1760336](#) [1800272](#) [1809474](#) [1855000000](#) [19346](#) [1946309](#) [1950227](#) [1973592](#) [19892](#) [2-](#)
[1546857-6](#) [25.320.4053.1](#) [25.320.4553.9](#) [25.320.4753.1](#) [25.320.5453.1](#) [25.340.0353.1](#) [25.340.1053.1](#) [25.345.3553.0M001](#) [25.640.3553.1](#)
[SH02-5,08](#) [SH06-3,81](#) [SH08-5,08](#) [SH08-5,08-K](#) [SH12-5,08](#) [SHS04-5,00](#) [30.303](#) [30.305](#)