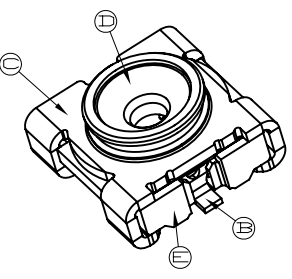
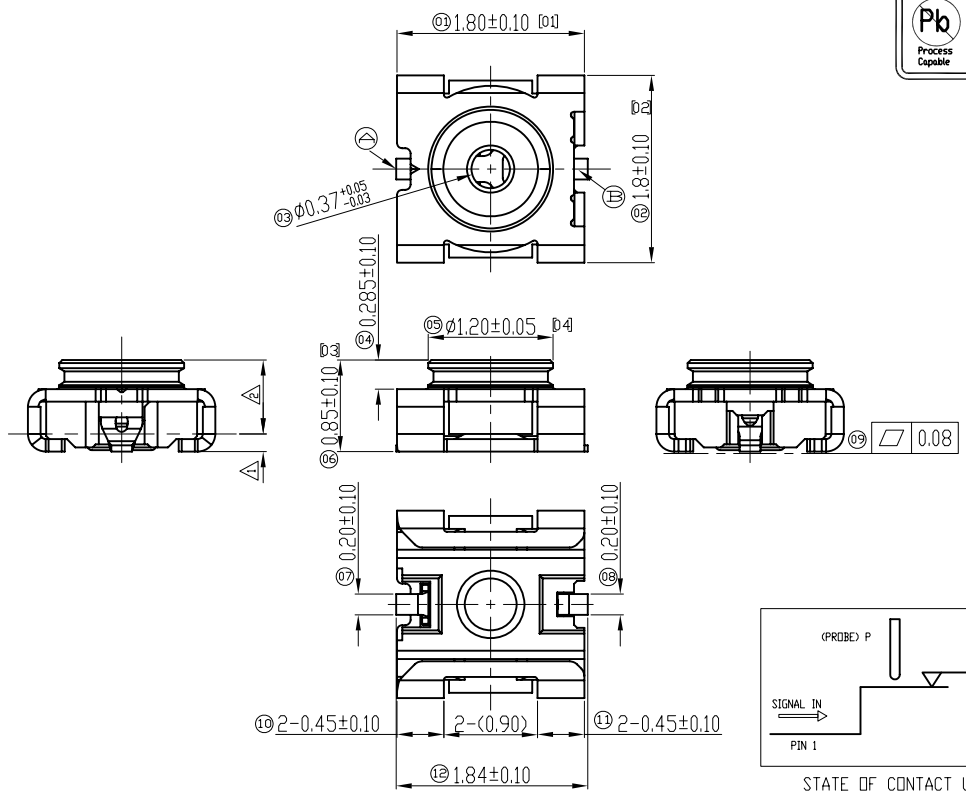
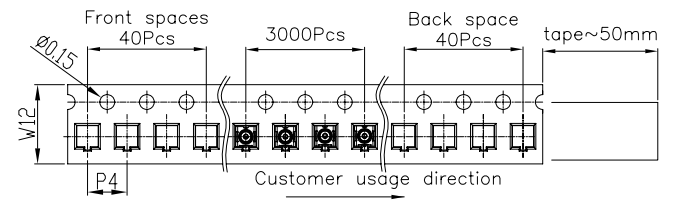
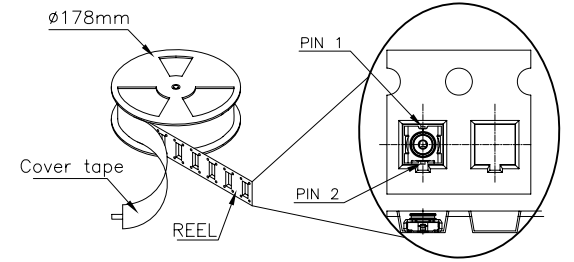


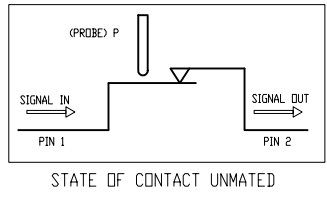


Rev.	ECN Number	Description	Date	Drawn	Checkd	Approved
C	ECN170858	新增钢网规格	05/04'17	LW	Ken	Tan

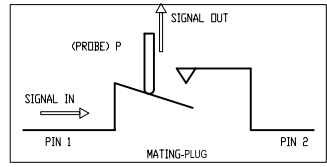
PACKING SPECIFICATION:



3D Model



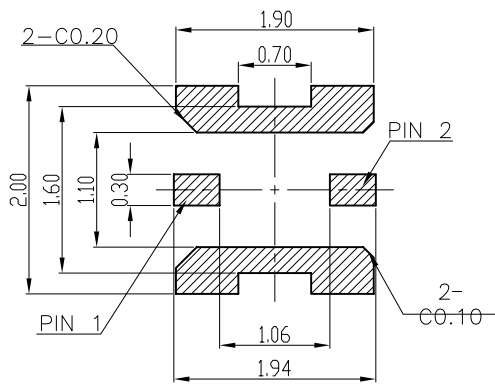
STATE OF CONTACT UNMATED



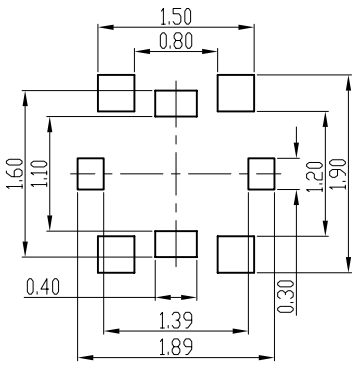
STATE OF CONTACT MATED

NOTES:

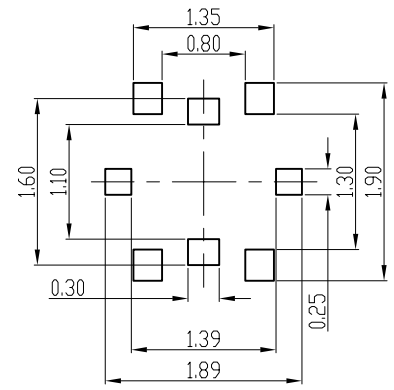
- 1.1 Rated Voltage 60V AC max.
- 1.2 Frequency Range DC~6GHz
- 1.3 Impedance 50Ω
- 1.4 Power Rating 2W
- 1.5 Operating Temperature -40°C~+85°C
- 1.6 Insulation Resistance 1000MΩ min.
- 1.7 Withstanding Voltage 100V AC & 1minute
- 1.8 Initial Contact Resistance 100 mΩ max. (Without conductor resistance)
- 2.1 Voltage Standing Wave Ratio(VSWR)
  - 1.2 max.(DC~3GHz)
  - 1.3 max.(3~6GHz)
- 2.2 Insertion loss 0.10dBmax.(DC~3GHz)  
0.20dBmax.(3~6GHz)
- 2.3 Isolation 20 dBmin.(DC~3GHz)  
15 dBmin.(3~6GHz)
- 2.4 Durability 100 cycles
- 3.1 Packing tape&reel 3000Pcs/Reel (ø178mm)
- 3.2 IR Reflow Cycles: 2cycles
- 4.0 Allow the push force range is 1.5 to 2.5N.



RECOMMENDED PCB LAYOUT TOLERANCE ±0.05MM



RECOMMENDED METAL MASK THICKNESS 0.08MM



RECOMMENDED METAL MASK THICKNESS 0.10MM

ITEM	DESCRIPTION	Q'TY	MATERIAL/FINISH
⑤	DOWN HOUSING	1	LCP UL94V-0/BLACK
④	TOP HOUSING	1	LCP UL94V-0/BLACK
③	SHELL	1	C5191/ Ni:50u" Min
			C5191/Au:2u" Min; Ni:50u" Min
②	PIN 2	1	SUS304/Au:2u" Min; Ni:50u" Min
①	PIN 1	1	SUS301/Au:5u" Min; Ni:50u" Min

BOM LIST

深圳市金航标  
电子有限公司

GENERAL TOLERANCE	
XX. ±0.50	
X. ±0.35	X.° ±2.0°
.X ±0.25	.X° ±1.0°
.XX ±0.15	.XX° ±0.5°

SCALE: 1:1

UNIT: mm

SIZE: A4

DRAWN	LW	DATE	05/04'17
CHECK	Ken	DATE	05/04'17
APPROVE	Tan	DATE	05/04'17

DWG. NO. 600-3767-01

PARTS NO.(INTENDED USE) 818003767

TITLE CUSTOMER DRAWING

MINI RF IV CONN.,  
L1.80\*W1.80\*H0.85mm

REV. C

SHEET 1/1

## X-ON Electronics

Largest Supplier of Electrical and Electronic Components

*Click to view similar products for [RF Connectors](#) / [Coaxial Connectors](#) category:*

*Click to view products by [Kinghelm](#) manufacturer:*

Other Similar products are found below :

[8915-1511-000](#) [89674-0827](#) [6001-7071-019](#) [6002-7051-003](#) [6059674-1](#) [619550-1](#) [630059-000](#) [M39012/25-3026](#) [M39030/3-01N](#) [6501-1071-002](#) [6769](#) [7002-1541-010](#) [7003-1542-011](#) [7004-1512-000](#) [7009-1511-004](#) [7029-1511-060](#) [7101-1541-010](#) [7101-1571-002](#) [7105-1521-002](#) [7203-1571-003](#) [7209-1511-011](#) [7210-1511-015](#) [7210-1511-040](#) [7242-1511-000](#) [73216-2241](#) [73404-2300](#) [7405-1521-005](#) [7405-1521-802](#) [7406-1521-005](#) [8527](#) [8547](#) [FS11V](#) [877931](#) [8808-1511-001](#) [9049-9513-000](#) [9074-9513-000](#) [910A205F](#) [PL40-36](#) [PL40-5](#) [PL71-9](#) [980-8666-005](#) [1200690078](#) [1-201144-1](#) [120919](#) [R107003010W](#) [R110A172100](#) [R112186000](#) [R113053000W](#) [R113081000](#) [R113082097](#)