

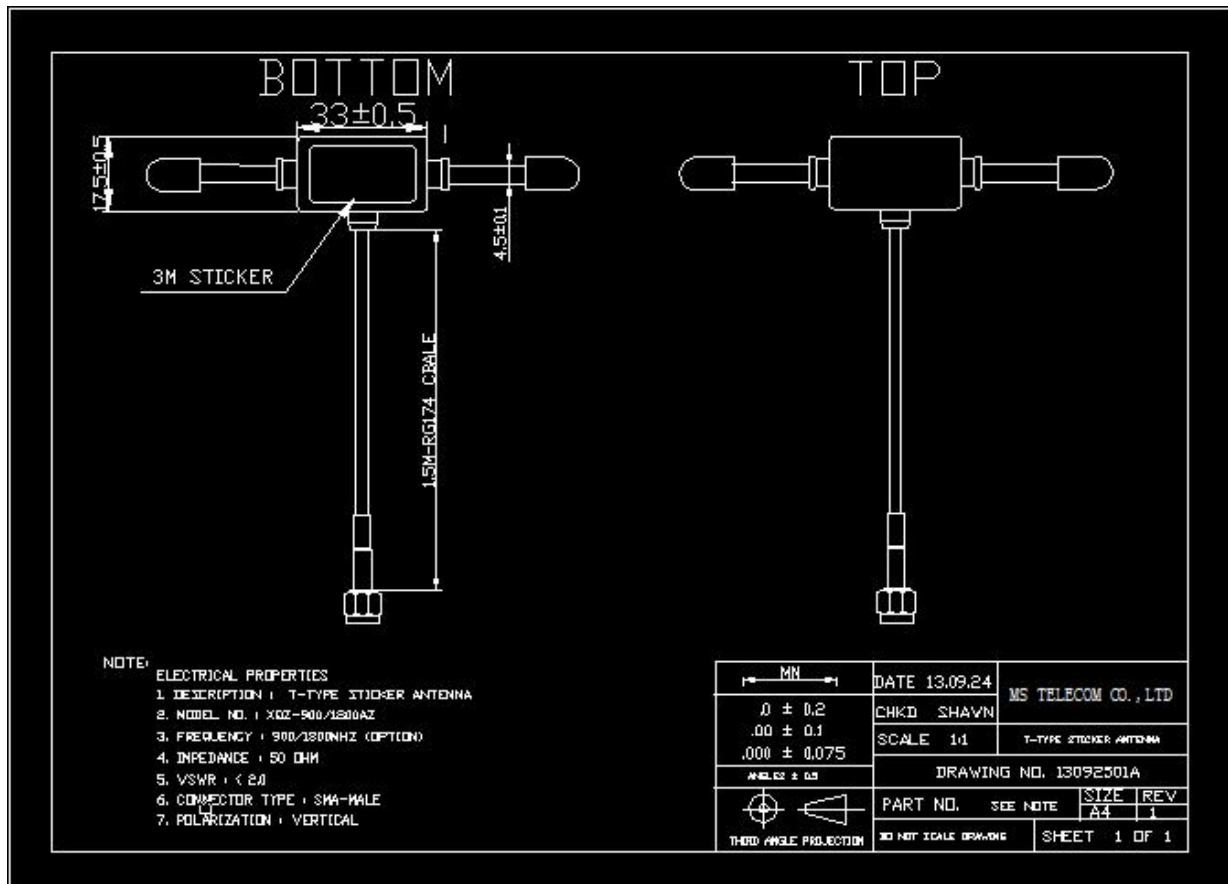
1、PRODUCT TECHNICAL SPECIFICATION

Electrical Specifications	
Frequency Range (MHz)	890-960/1710-1990
Bandwidth (MHz)	70/280
Horizontal Beamwidth-°	40
Vertical Beamwidth-°	35
Input Impedence (Ω)	50
V.S.W.R	≤ 2.0
Gain (dBi)	2/3
Max Input Power (w)	10
Mechanical Specifications	
Antenna Dimension-mm (mm)	20*235
Connect Type	SMA or customized
Rated Wind Velocity	120 km/h
Work Temperature °C	-40- +80
Pole Diameter-mm	Φ 40-50
Cable length-mm	1500
Weight (g)	55

2、PRODUCT PICTURE



3、PRODUCT SPECIFICATION CHART.



4、MECHANICAL CHARACTERISTICS)

1	BENDING TEST	Put load 120g to 30cm cable from the end of the connector, fixed joints, swaying test at an angle of 60 degrees , test features after 1000 times	after 1000 times test no visible damage
2	STRENG TEST	Put 15pounds static load to the end of the cable continue 1 minute	After test no visible damage
3	VIBRATION TEST	the X-axis direction for 120 minutes, and the Y-axis direction 120 minutes, the Z-axis direction 240 minutes as vibration testing of 1.1mm amplitude and 33.30Hz/sec of frequency	After test no visible damage

5、DURABILITY

1	HEAT TEST	85+2 °C for 96 hours, after keep in normal condition for 30mim the to test.	All characteristic range is 30% of the initial value
2	HUMIDITY TEST	40+2 °C 90-95%RH for 96hours, after keep in normal condition for 30mim the to test.	
3	COLD TEST	-40+2 °C for 96hours, after keep in normal condition for 30mim the to test.	

X-ON Electronics

Largest Supplier of Electrical and Electronic Components

Click to view similar products for [Antennas](#) category:

Click to view products by [Kinghelm](#) manufacturer:

Other Similar products are found below :

[930-033-R](#) [EXE902SM](#) [APAMPG-117](#) [MAF94383](#) [W6102B0100](#) [108-00014-50](#) [66089-2406](#) [SPDA17RP918](#) [A09-F5NF-M](#)
[RGFRA1903041A1T](#) [108-00016-050](#) [W3921B0100](#) [SIMNA-868](#) [SIMNA-915](#) [SIMNA-433](#) [W1049B090](#) [TRABT1560](#) [W3118A](#)
[WTL2449CQ1-FRSMM](#) [CPL9C](#) [0600-00060](#) [GD5W-28P-NF](#) [MA9-7N](#) [GD53-25](#) [C37](#) [MAF94051](#) [S9025PLSMF](#) [EXD420PL](#) [B1322NR](#)
[MAF94271](#) [MAF94300](#) [GPSMB301](#) [FG4403](#) [MIKROE-2393](#) [DA5-32RADOME](#) [BB1442NR](#) [5200227](#) [GPSCPMM00](#) [W1049B030](#)
[SPDA17RP918](#) [GPSCP00](#) [ANTDOM-05-01-WPM](#) [EXW30BNX](#) [OSCAR1A/5M/SMAM/S/S/31](#) [ALPHA4A/1M/SMAM/S/S/26](#)
[OSCAR1A/10M/SMAM/S/S/31](#) [OSCAR1A/20M/SMAM/S/S/31](#) [OSCAR40/5M/LL/SMAM/S/S/33](#) [TANGO41/1M/SMAM/S/S/32](#)
[ANTX100ETBAB24553](#)